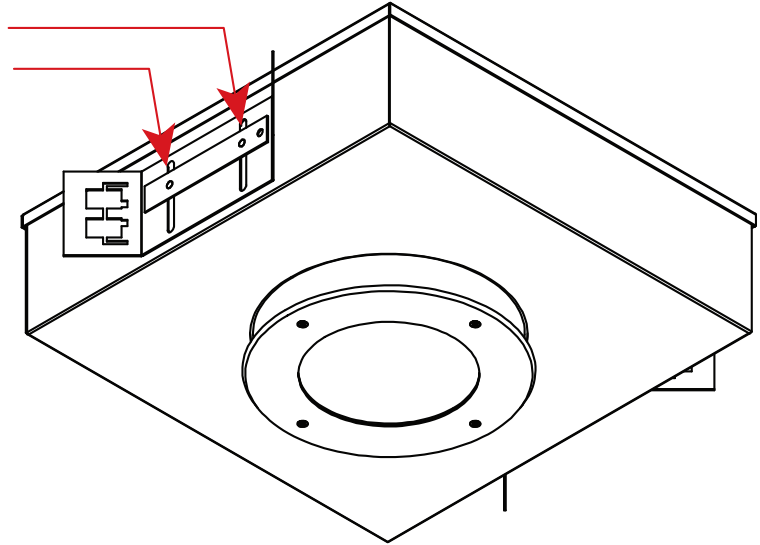
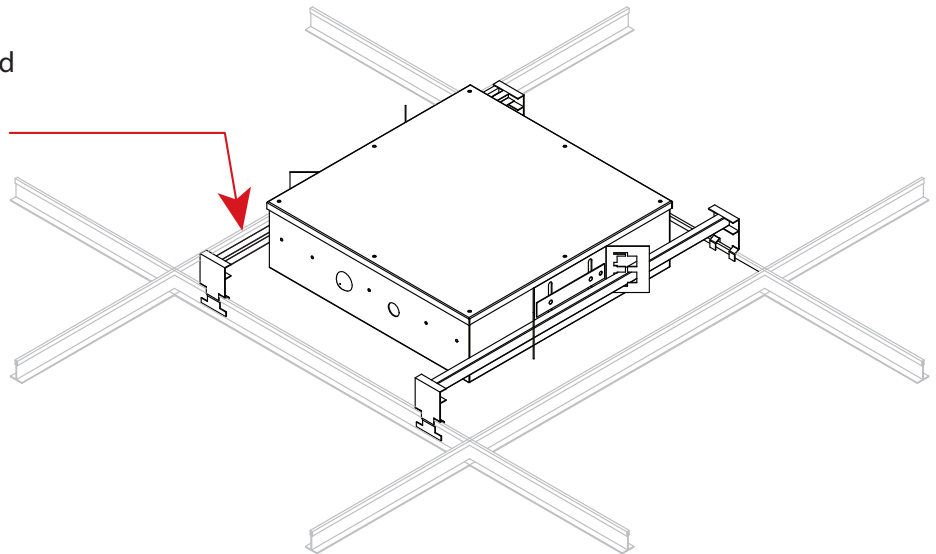


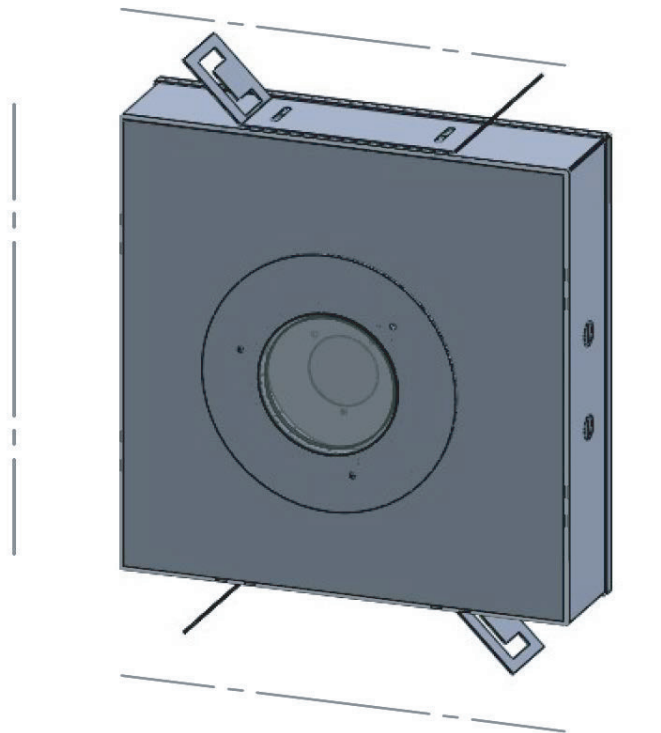
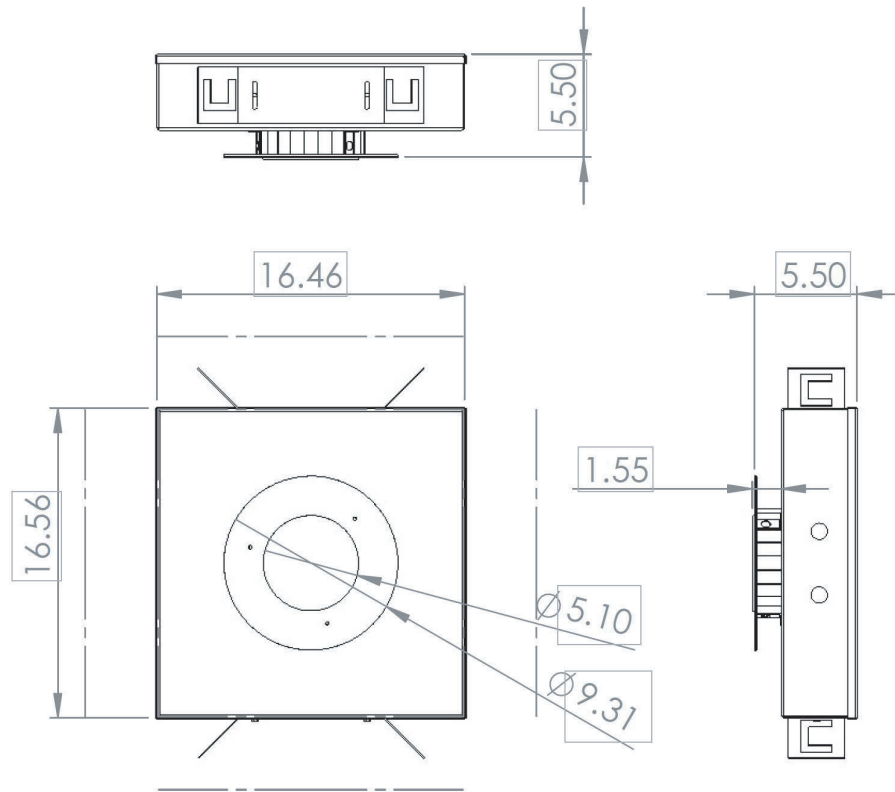
Loosen wing nuts on side of fixture for fixture height adjustability (after fixture is in place).



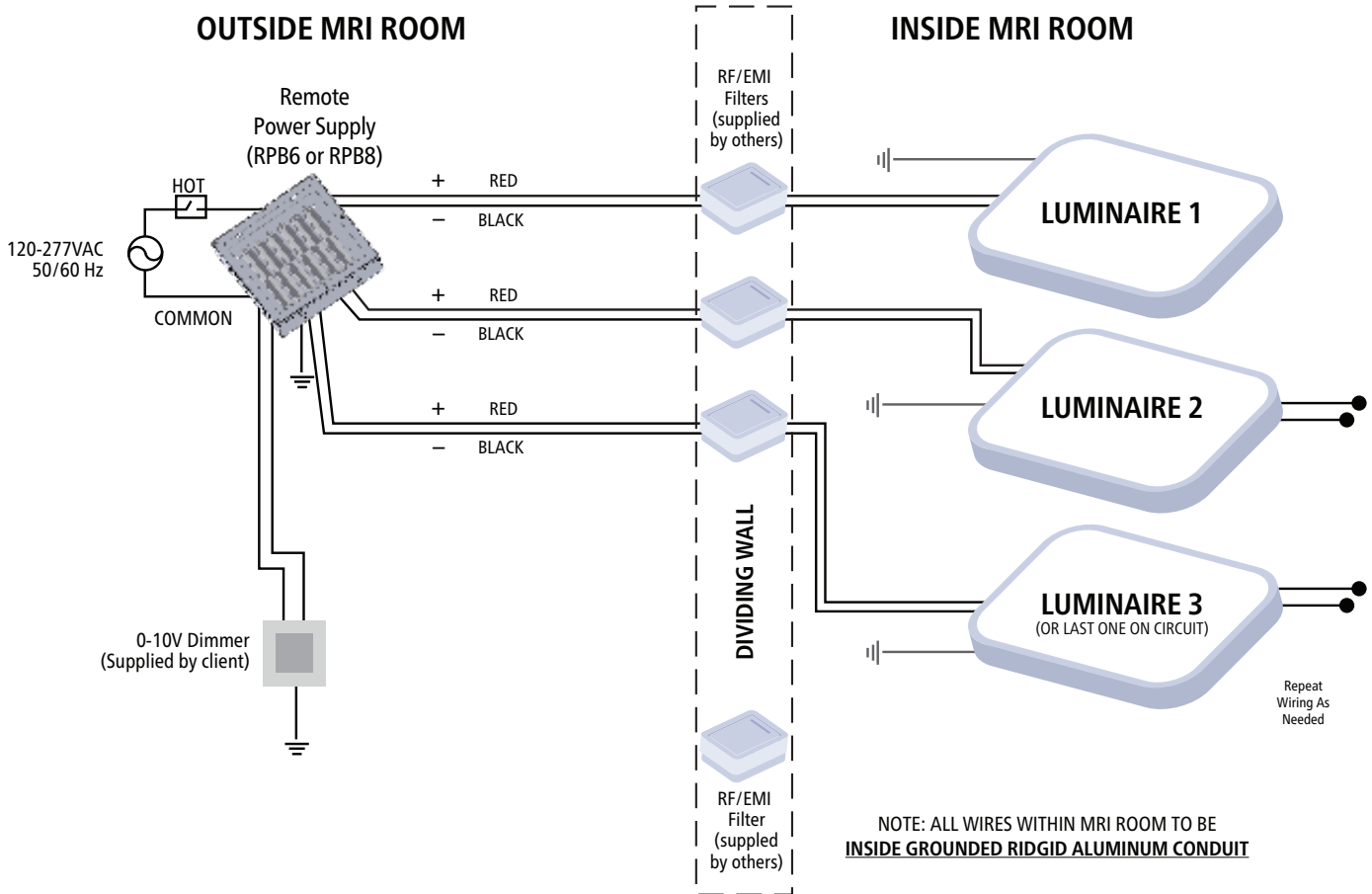
Place fixture in grid ceiling and secure by utilizing T-Grid mounting Bars (supplied by others).



Finalize installation by adjusting height of fixture and then fully tightening wingnuts on side.



MRI ROOM SINGLE SUPPLY SYSTEM DIAGRAM MULTIPLE SHIELDING FEEDS



MRI ROOM SINGLE SUPPLY SYSTEM DIAGRAM SINGLE SHIELDING FEEDS

