

⚠ Warning

PLEASE READ ALL INSTRUCTIONS BEFORE ATTEMPTING INSTALLATION

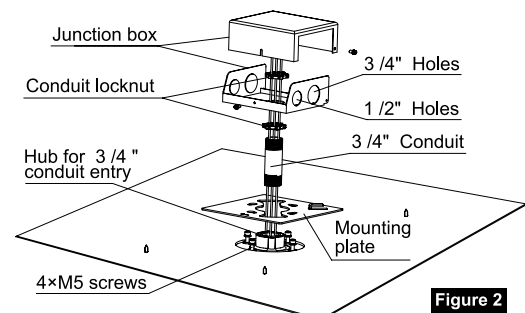
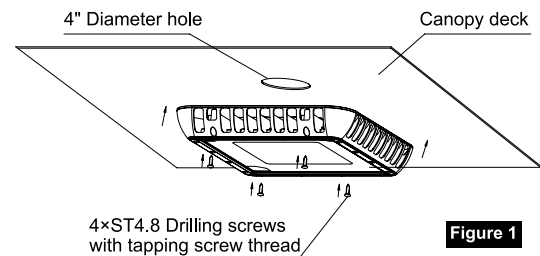
o avoid electric shock, disconnect power at source prior to installation

- Before installation, please carefully check whether the fixture is damaged, and contact the supplier in time if there is any damage.
- To prevent personal injury or product damage only licensed electricians should install.
- To avoid electric shock or component damage disconnect power before attempting installation or servicing.
- This product must be installed in accordance with the national electric code (NEC) and all applicable federal, state and local electric codes and safety standards.
- Disconnect product and allow cooling prior to servicing.
- Any alteration or modification of this product is expressly forbidden as it may cause serious personal injury, death, property damage and/or product malfunction.
- To prevent product malfunction and/or electrical shock this product must be properly grounded.
- This luminaire is designed to operate in ambient temperatures ranging from -40°C to 50°C and to be horizontally mounted with the LEDs facing down.
- This product must be installed in accordance with the applicable installation code by a person familiar with the construction and operation of the product and the hazards involved.
- Min 75°C supply conductor
- CONSULT A QUALIFIED ELECTRICIAN TO ENSURE CORRECT BRANCH CIRCUIT CONDUCTOR.
- CAUTION - RISK OF FIRE.
- This product is not available for several special environments, such as places with corrosive gas liquids or high pressure water vapor.

New Project Installation Instructions

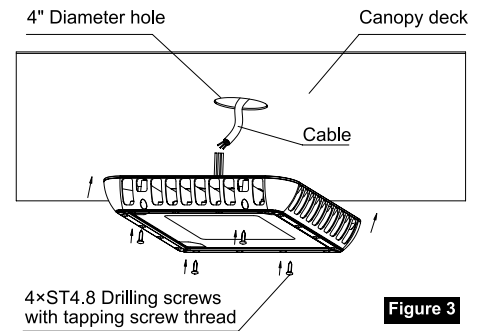
Single top deck (Figure 1 → Figure 2):

1. Remove the fixture from the box and check it to make sure the label and parameters match, if the fixture is damaged, do not install it.
2. Cut a 4" round hole in the canopy deck.
3. Align luminaire with the 4" round hole (the conduit entry at the back of the luminaire should be positioned at the center of the hole). Use self-drilling screws to attach luminaire to canopy deck.
4. Place the mounting plate on the canopy deck, make sure the four screws (around the conduit entry) through out four holes on this plate, and turn the mounting plate then fasten the four screws.
5. Feed the power cables through the 3/4" conduit, screw conduit into the conduit entry on back of the luminaire and torque to ensure seal.
6. Use two (2) conduit nuts to assemble wet location rated junction box and knock down the corresponding hole on the junction box according to the actual wiring steel pipe size.
7. Complete the wiring according to the wiring diagram.
8. All mounting holes that penetrate the canopy deck and the 3/4" cable entry holes on the back of the lamp must be sealed with waterproof glue.



Double top deck (Figure 3):

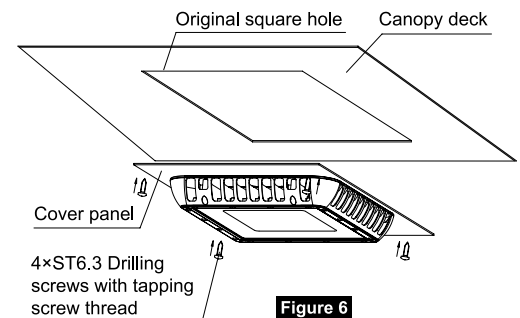
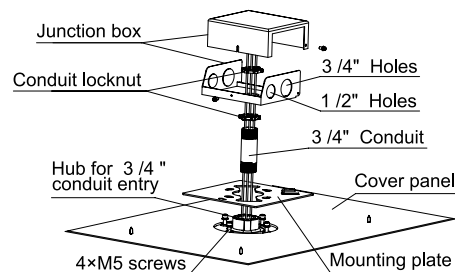
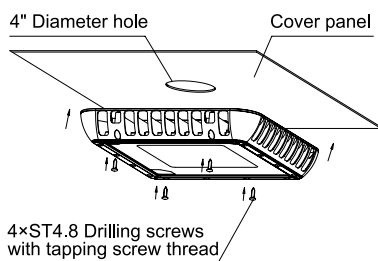
1. Remove the fixture from the box and check it to make sure the label and parameters match, if the fixture is damaged, do not install it.
2. Cut a 4" round hole in the canopy deck.
3. Pull cable out of the 4" round hole and complete the wiring according to the wiring diagram.
4. Align luminaire with the 4" round hole (the conduit entry at the back of the luminaire should be positioned at the center of the hole). Use self-drilling screws to attach luminaire to canopy deck.



Replaced Installation Instructions

Single top deck (Figure 4 → Figure 5 → Figure 6):

1. Remove the fixture from the box and check it to make sure the label and parameters match, if the fixture is damaged, do not install it.
2. Remove the fixture kit that needs to be replaced from the existing canopy deck.
3. Align luminaire with the 4" round hole (the conduit entry at the back of the luminaire should be positioned at the center of the hole). Use self-drilling screws to attach luminaire to canopy deck.
4. Place the mounting plate on the canopy deck, make sure the four screws (around the conduit entry) through out four holes on this plate, and turn the mounting plate then fasten the four screws.
5. Feed the power cables through the a 3/4" conduit, screw conduit into the conduit entry on back of the luminaire and torque to ensure seal.
6. Use two (2) conduit nuts to assemble wet location rated junction box and knock down the corresponding hole on the junction box according to the actual wiring steel pipe size.
7. Use waterproof glue between the cover panel and the canopy deck for sealing treatment and use four self-drilling screws to fix the cover panel on the canopy deck (the original opening shall not be exposed).
8. Complete the wiring according to the wiring diagram.
9. All mounting holes that penetrate the canopy deck and the conduit entry at the back of the luminaire must be sealed with waterproof glue.



Double top deck (Figure 4 → Figure 7):

1. Remove the fixture from the box and check it to make sure the label and parameters match, if the fixture is damaged, do not install it.
2. Remove the fixture kit that needs to be replaced from the existing canopy deck.
3. Align luminaire with the 4" round hole (the conduit entry at the back of the luminaire should be positioned at the center of the 4" hole). Use four self-drilling screws to attach luminaire to cover panel.
4. Pull the cables out of the original cut-out and complete the wiring according to the wiring diagram.
5. Use waterproof glue between the cover panel and the canopy deck for sealing treatment and use the four self-drilling screws to fix the cover panel on the canopy deck (the original opening shall not be exposed).

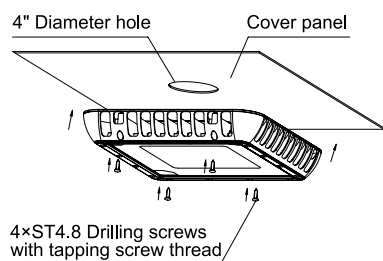


Figure 4

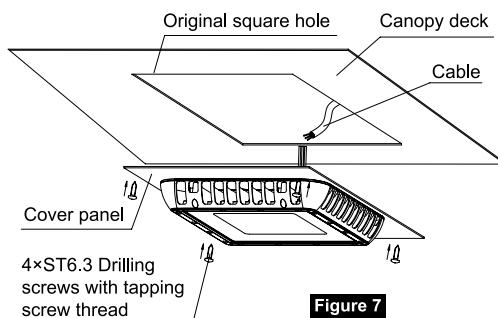


Figure 7