

**CAUTION: THIS PRODUCT MUST BE INSTALLED IN ACCORDANCE WITH THE APPLICABLE INSTALLATION CODE BY A PERSON FAMILIAR WITH THE CONSTRUCTION AND OPERATION OF THE PRODUCT AND THE HAZARDS INVOLVED. SAVE THESE INSTRUCTIONS!**

**⚠ WARNING: Before beginning installation, disconnect electrical power at main switch or circuit breaker.**

**IMPORTANT SAFEGUARDS:**

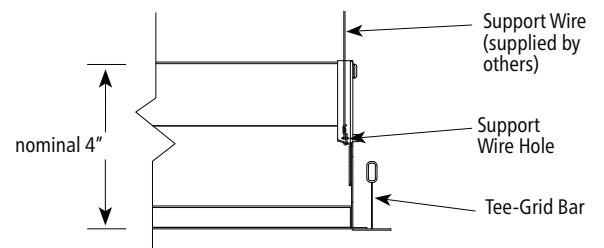
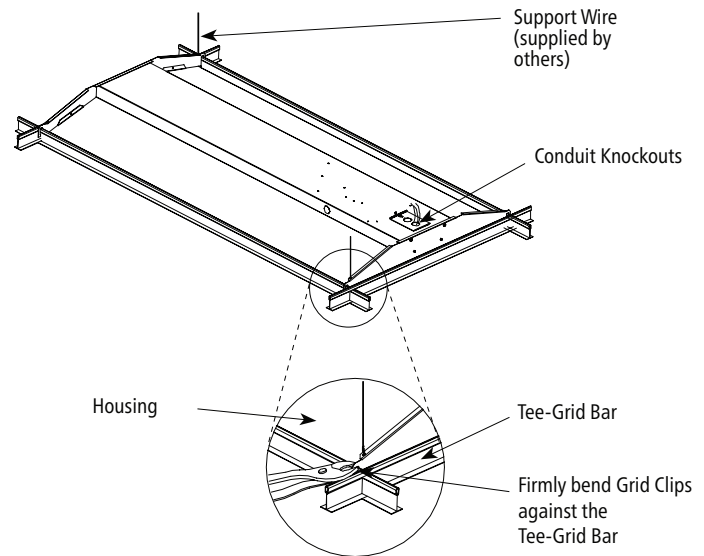
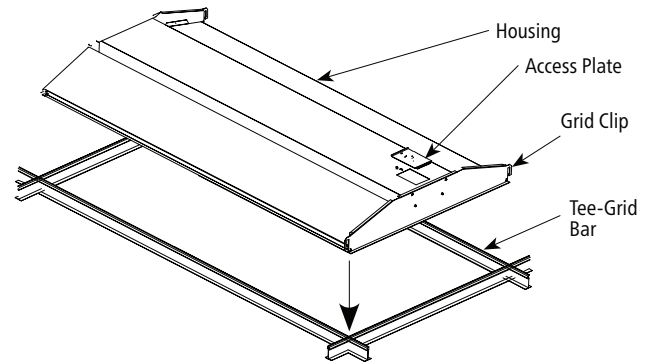
Ensure that the electrical wiring conforms to the National Electrical Code NEC® and local regulations if applicable. Installation and servicing of this equipment should be performed by qualified service personnel only. Do not mount near gas or electric heaters. Equipment should be mounted in locations and at heights where it will not readily be subjected to tampering by unauthorized personnel. The use of accessory equipment not recommended by the manufacturer may cause an unsafe condition. Any modification or use of non-original components will void the warranty and product liability. Do not use this equipment for other than intended use.

**RECESSED CEILING MOUNTING**

The fixture is suitable only for INDOOR RECESSED CEILING application. Above ceiling access required.

To mount in an insulated or non-insulated ceiling - 9/16" or 15/16" exposed Flat Tee Grid Ceiling follow the steps below.

1. Rotate and slide the Housing as required to fit through the Tee-Grid Bar and place it as indicated by the directional arrow in figure.
2. Firmly bend the pre-installed Grid Clips (4) against the Tee-Grid Bar to secure the Housing.
3. Support wires are required by Installation Codes. Support the Housing to the building structure by Support Wires (supplied by others) through the Support Wire Hole.
4. Make sure that the orientation of the Access Plate faces an accessible tile to make electrical splices.
5. Loosen screw on Access Plate and remove the Access Plate. Knock out appropriate Conduit Knockouts on the Access Plate to route input conduit. Use appropriate conduit connectors as required by code.
6. Connect wires as shown in wiring diagram. Push all wires back into the Splice Box. Be careful not to pinch wires. **WARNING:** To prevent wiring damage or abrasion, do not expose wiring to edges of sheet metal or other sharp objects.
7. Replace Access Plate and tighten Access Plate Screw.

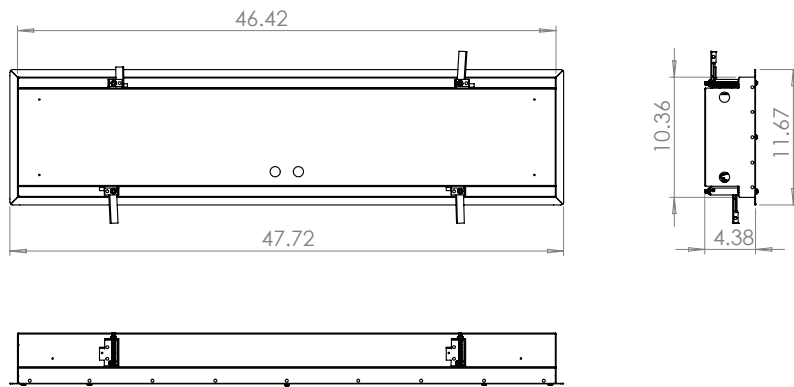


 **ROUGH IN SIZE LISTED BELOW.**  
Please pay careful attention to these dimensions.

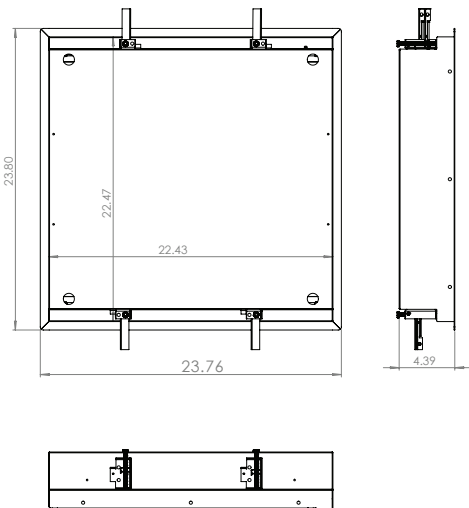
## DIMENSIONS

### 1x4

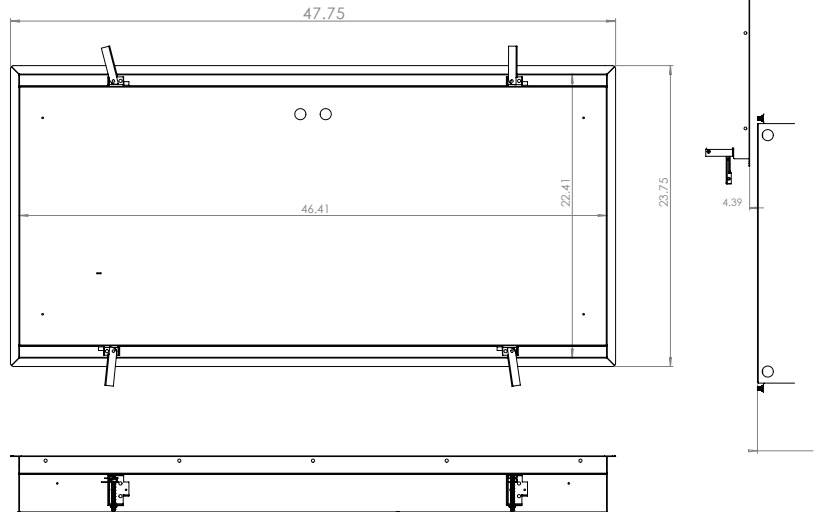
**ROUGH IN SIZE** TO BE 46 11/16" X 10 5/8"



**2x2**  
**ROUGH IN SIZE** TO BE 22 5/8" X 22 5/8"



**2x4**  
**ROUGH IN SIZE** TO BE 46 5/8" X 22 11/16"



## Wiring Diagram



Dimensions on Next Page 