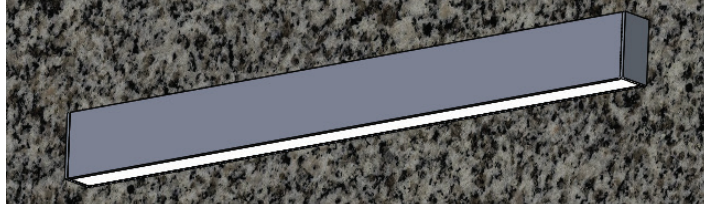
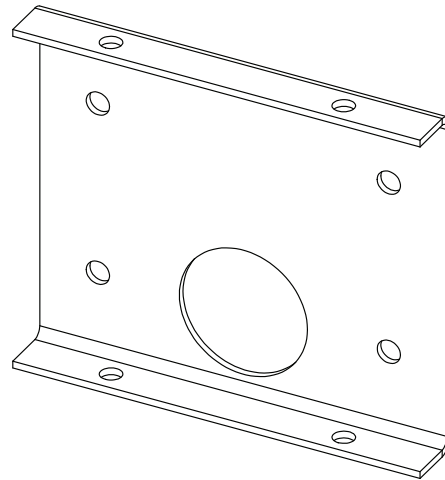
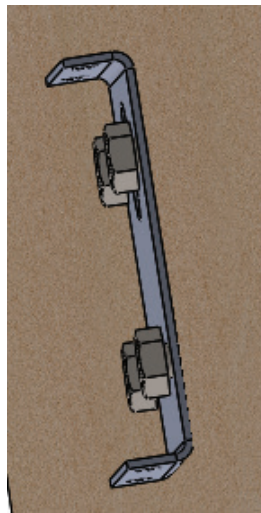


XDL Wall Mount

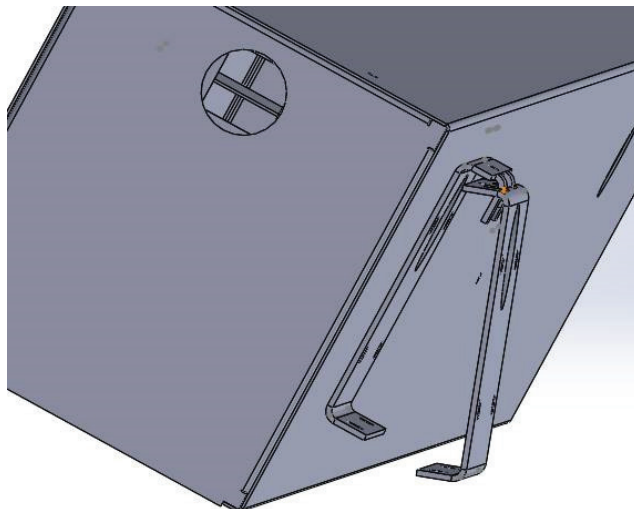


The wall mount bracket consists of two separate pieces. One piece will mount to the wall, while the other will mount to the fixture.

Step 1: Attach the piece with two flat ends to the wall using 4 fasteners.



Step 2: Attach the piece with one flat end and prongs to the fixture using 4 fasteners. This allows the piece attached to the fixture to slip over and through the piece attached to the wall, as seen below.



XDL Wall Mount

Step 3:

Secure brackets to each other using 3 fasteners. Wall mount installation is completed.

