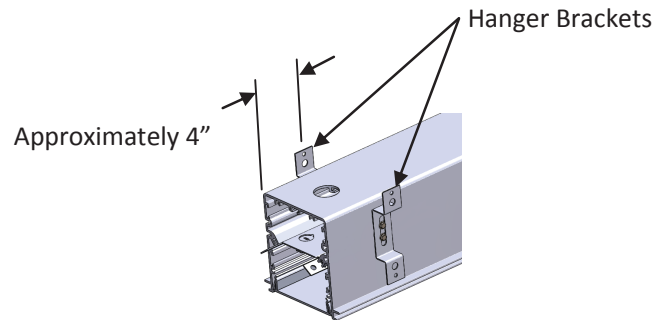


INSTALLATION INSTRUCTIONS FOR RECESSED

1. Remove lens.
2. Install hanger brackets on each side of fixture approximately 4" inches in from the ends. For 9/16" lay-in grid place smaller gap side of bracket towards lens. For other grids place wider gap side towards lens.
3. Set fixture into opening between Tee Grid. After the fixture is set, screw in #8 self threading screws in hanger bracket and attach support wiring to the building and fixtures.
4. Bring conduit and conduit fitting (supplied by others) to the power feed hole location at the end of the housing or in end cap.
5. Slide fixture together using sliders that ex-tend from fixtures to insure proper alignment.
6. Screw internal reflectors down to joining fixture.
7. Grid end caps can be adjusted for lay in or Slot T configurations (use extra holes to adjust)



Smaller gap side of Bracket for 9/16" lay-in grid

