




N2M POLE INSTALLATION INSTRUCTIONS



QUICKNOTES: This is NOT a comprehensive installation guide, but more of a basic guide. As with all complex installations, professional/licensed contractors should be relied upon for equipment and practices that meet the conditions and regulations of each individual job location. N2M cannot be responsible for any damage that occurs during or after installation, or for any structure that has been modified by the purchaser or used in a way other than our application recommendations.

We recommend you follow these basic guidelines:

- #1: **SAFETY FIRST.** Installing a light post should be a well planned and expertly executed project.
 - #2: **ALWAYS** Install your light heads before erecting the pole. Failure to do so will void any warranty and can lead to unexpected structural failures later.
 - #3: **INSPECT** all your components before you begin your installation.
 - #4: **DO NOT GROUT/MORTAR** in the area below the pole base and the grade. Drainage is key to your poles long-life.
 - #5: Use extreme caution near overhead power lines or underground utilities. Make sure your ground is secure.
-  Observe all safety precautions for high-voltage equipment. Only qualified personnel should perform wiring. Follow all applicable building and electrical codes.

INITIAL INSPECTION:

If Galvanized:

- Check the galvanized coating for any damaged areas such as scales, nicks, scratches, scrapes, cuts or rusting.
- Clean damaged or rusted area and coat with a zinc-enriched paint such as ZRC (or equivalent) per ASTM A780.

If Painted:

- Check the paint film for any damage areas such as scales, nicks, scratches, scrapes, cuts or rusting.
- Clean damaged or rusted areas and apply a prime and top coat per manufacturer's recommendation.

ANCHOR BASE INSTALLATIONS:

The concrete foundation must be designed by a qualified engineer with knowledge of the local soil conditions. Our recommended anchor bolt diameter/lengths are listed on our individual cut sheets. Since installations vary based on soil/ground conditions, wind conditions, etc, a qualified engineer should make the final determination on all specifications of hardware.

DIRECT BURIAL FOUNDATION INSTALLATIONS:

Soil and site locations will vary, for this reason, it is imperative to consult with a qualified engineer with knowledge of the local soil conditions to determine the depth/width of your hole for direct burial poles.



N2M POLE INSTALLATION INSTRUCTIONS



QUICKGUIDE FOR INSTALLATION:

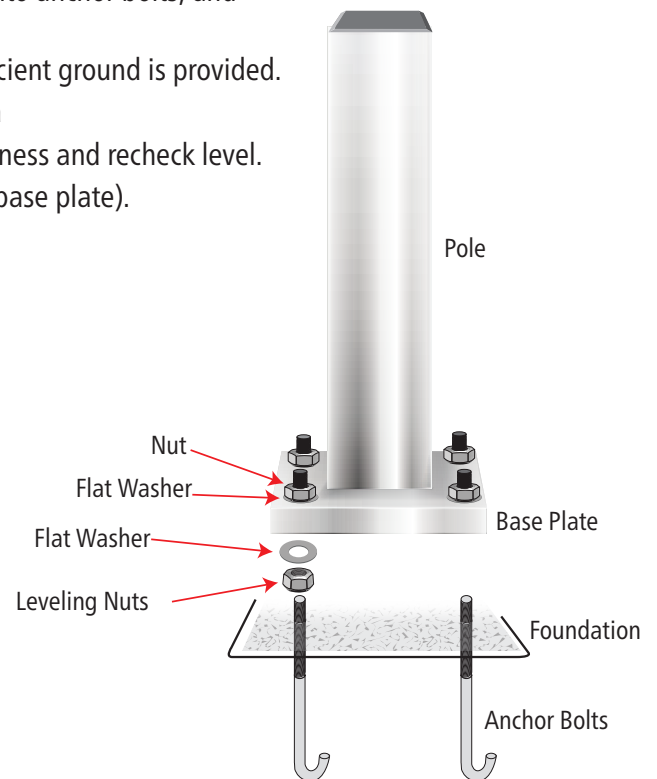
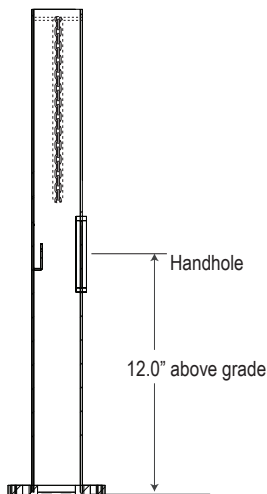
These are a basic outline of the required steps.

1. Attach ALL tenons, brackets, light heads etc before erecting the pole. .
2. Place leveling nuts and washers on anchor bolts.
3. Erect pole (according to safety guidelines and local regulations) over anchor bolts and set on leveling nut washers.
- ⚠ 4. Professionally complete all wiring.
5. Level the pole using the leveling nuts. Tighten all hardware, and recheck level.
7. Install base cover.

NOTE: DO NOT ERECT POLE WITHOUT THE INTENDED LOADING ATTACHED

ANCHOR BASE INSTALLATION:

1. Place anchor bolts into the grid of your concrete base and space according to the rigid template. Make sure the appropriate amount of threads is exposed above the grade.
2. Finish your base according to your engineer's guidelines.
3. Install ALL tenons/brackets/lights and cap on poles.
3. Thread level nuts onto exposed threads, and place flat washers on top of them.
4. Erect pole (following safety guidelines and local regulations) onto anchor bolts, and thread flat washers/nuts onto anchor bolts.
- ⚠ 5. Wire pole according to local regulations, and insure that a sufficient ground is provided.
6. Level pole using a plum bob or level and make adjustments via the leveling nuts. Once level, tighten top nuts to specified tightness and recheck level.
7. Install base cover (reminder, do NOT mortar around bottom of base plate).





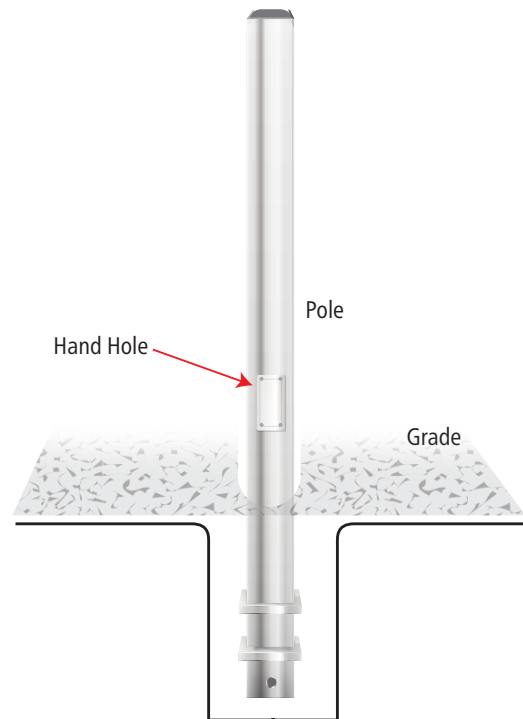
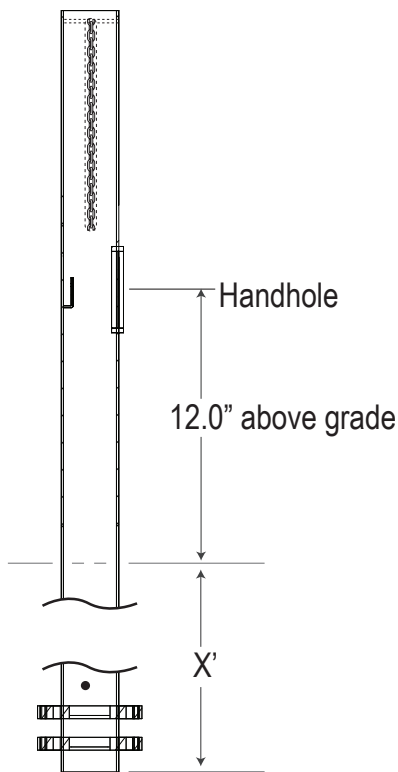
N2M POLE INSTALLATION INSTRUCTIONS



NOTE: DO NOT ERECT POLE WITHOUT THE INTENDED LOADING ATTACHED

DIRECT BURIAL INSTALLATION:

1. The correct width/depth of your hole is VERY important and is made based on your soil conditions (consult your engineer). Also make sure the hole is clean and free of debris. Once you've determined the perfect location for your poles, it's of equal important to check the soil and determine if soil tamping or adding additional backfill is necessary.
2. Install ALL tenons/brackets/lights on poles.
3. Erect pole according using adequate safety guidelines and to local regulations.
- ⚠️ 4. Wire pole according to local regulations, and insure that a sufficient ground is secured. A below grade access hole has already been drilled.
5. Level pole using a plum bob or laser level.



Consult with your engineer for correct width/depth and fill for your individual installation(s)



EPA WIND WARNING

Because wind can vary greatly, harmonic distortions and fatigue can occur with your pole if the pole is not designed to withstand the conditions it will encounter. Consult a engineer and make sure your poles specifications can meet local conditions.