

CAUTION: THIS PRODUCT MUST BE INSTALLED IN ACCORDANCE WITH THE APPLICABLE INSTALLATION CODE BY A PERSON FAMILIAR WITH THE CONSTRUCTION AND OPERATION OF THE PRODUCT AND THE HAZARDS INVOLVED. SAVE THESE INSTRUCTIONS!



WARNING: Before beginning installation, disconnect electrical power at main switch or circuit breaker.

IMPORTANT SAFEGUARDS

Ensure that the electrical wiring conforms to the National Electrical Code NEC® and local regulations if applicable. Installation and servicing of this equipment should be performed by qualified service personnel only. Do not mount near gas or electric heaters. Equipment should be mounted in locations and at heights where it will not readily be subjected to tampering by unauthorized personnel. The use of accessory equipment not recommended by the manufacturer may cause an unsafe condition. Any modification or use of non-original components will void the warranty and product liability. Do not use this equipment for other than intended use.

GENERAL INSTRUCTIONS

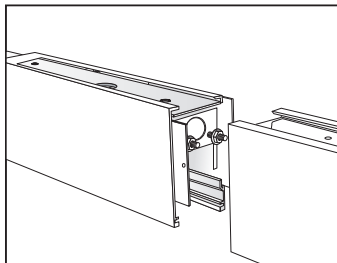
1. Remove the socket lens to gain access inside the luminaire.
2. Press and release the quick release holders to lower the board tray which is held in place by tethers.
3. Electrical connections are made inside the luminaire by connecting power to the included quick connector, plus the ground.

Installation (cover supported)

1. Locate the adjustable installation bracket on the top of the luminaire (one per side).
2. Adjust the installation bracket to an even position on both sides. Using the included thumb-turn, screw down until it grips the luminaire, securing the installation bracket in place.
3. Install the supported cover to an installation bracket by screwing a female coupler to the mounting plate. For covers with power supply, run power through the hole.

Installation (continuous runs)

1. For luminaires ordered as continuous runs, a junction plate/light trap is to be provided for each luminaire connection.
2. Using the included hardware, attach the luminaire to each other from the inside of the luminaire. Hardware is included for each of the joined sections:
 - 8-32x1/2 phillips head bolts with star washer nuts.
 - top joining plates with (4) #8 self-tapping screws.
 - light leakage plates.
3. Using the top junction plate, connect the two fixtures using 2 fasteners and the included mounting holes on each side.



CAUTION: THIS PRODUCT MUST BE INSTALLED IN ACCORDANCE WITH THE APPLICABLE INSTALLATION CODE BY A PERSON FAMILIAR WITH THE CONSTRUCTION AND OPERATION OF THE PRODUCT AND THE HAZARDS INVOLVED. SAVE THESE INSTRUCTIONS!



WARNING: Before beginning installation, disconnect electrical power at main switch or circuit breaker.

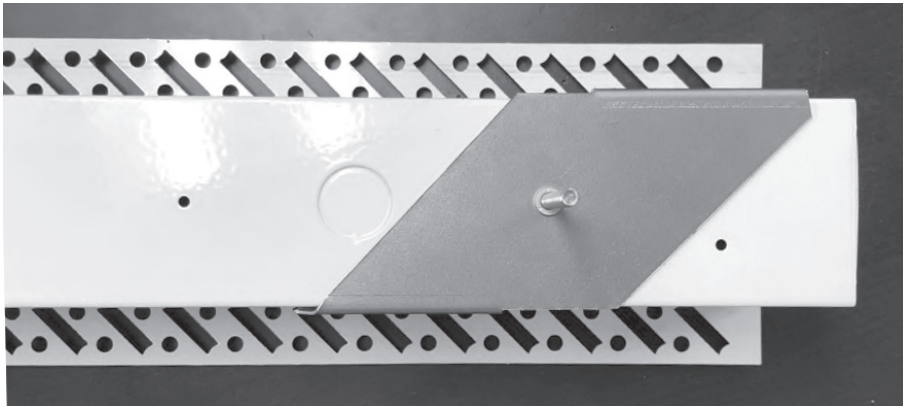
IMPORTANT SAFEGUARDS

Ensure that the electrical wiring conforms to the National Electrical Code NEC® and local regulations if applicable. Installation and servicing of this equipment should be performed by qualified service personnel only. Do not mount near gas or electric heaters. Equipment should be mounted in locations and at heights where it will not readily be subjected to tampering by unauthorized personnel. The use of accessory equipment not recommended by the manufacturer may cause an unsafe condition. Any modification or use of non-original components will void the warranty and product liability. Do not use this equipment for other than intended use.

MOUNTING INSTRUCTIONS

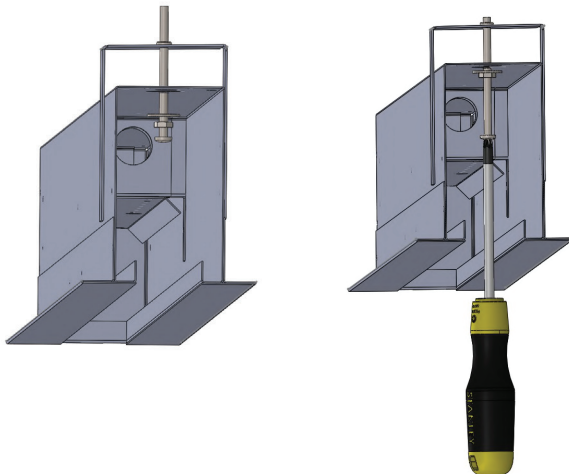
1

Place included bracket on top of the fixture. Raise fixture into cutout. For cutout dimensions, consult factory. Note: If fixture is wet location rated, install waterproof O-Ring to create a water resistant seal.



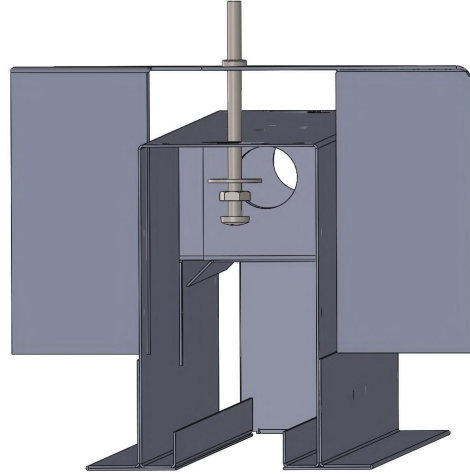
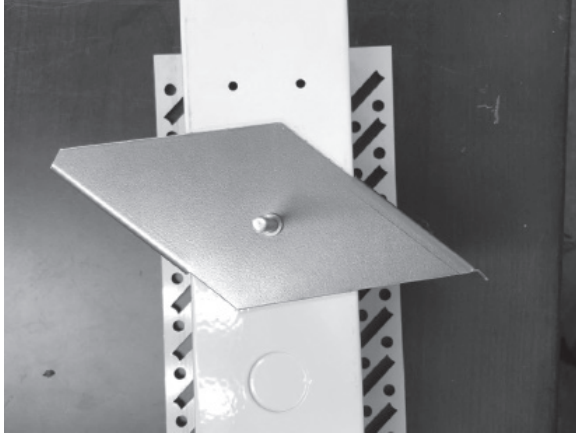
2

On the inside of the fixture, tighten the screw attached to the bracket to cinch the bracket down until it compresses against the top of the ceiling. Adjust the nut to set the desired height of the bracket.



3

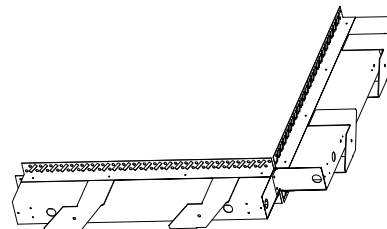
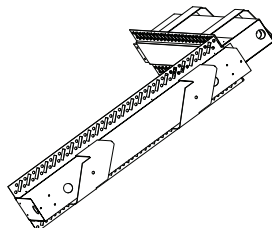
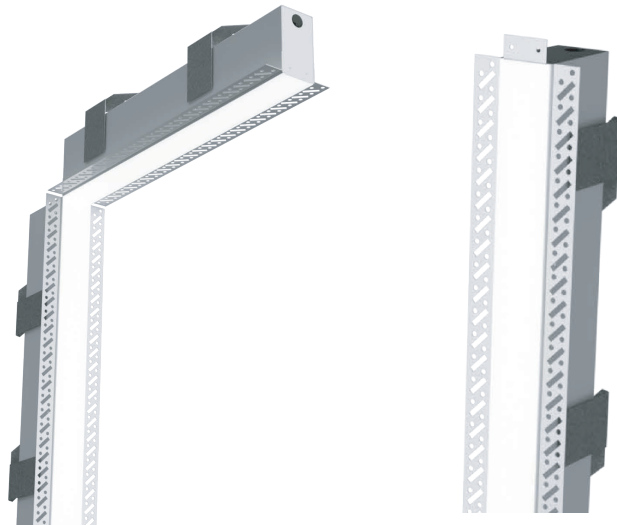
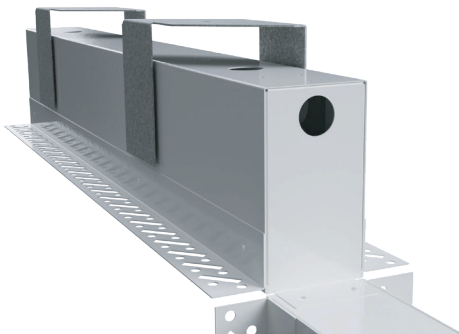
When the bracket is being tightened the final turn will secure the fixture in place.



4

INSTALLATION (WALL-TO-CEILING)

1. When fixtures are purchased in a wall-to-ceiling configuration, a connection plate is provided.
2. Using 2 fasteners, screw recessed wall fixture into the recessed ceiling fixture.
3. Continue installation with mounting brackets as normal.



CAUTION: THIS PRODUCT MUST BE INSTALLED IN ACCORDANCE WITH THE APPLICABLE INSTALLATION CODE BY A PERSON FAMILIAR WITH THE CONSTRUCTION AND OPERATION OF THE PRODUCT AND THE HAZARDS INVOLVED. SAVE THESE INSTRUCTIONS!



WARNING: Before beginning installation, disconnect electrical power at main switch or circuit breaker.

WIRING DIAGRAM

