

CAUTION: THIS PRODUCT MUST BE INSTALLED IN ACCORDANCE WITH THE APPLICABLE INSTALLATION CODE BY A PERSON FAMILIAR WITH THE CONSTRUCTION AND OPERATION OF THE PRODUCT AND THE HAZARDS INVOLVED. SAVE THESE INSTRUCTIONS!



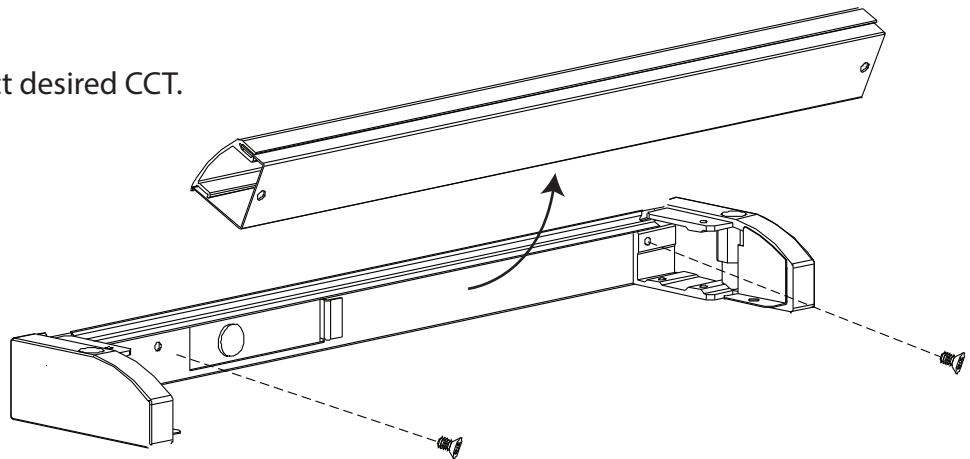
WARNING: Before beginning installation, disconnect electrical power at main switch or circuit breaker.

INSTALLATION OF FIXTURE

1. Open fixture up by removing lens.
2. Connect supply wires to fixture wires, white to white and black to black and green to green or bare copper ground wire. Secure with wire nuts.
3. Place connectors back inside unit.
4. Place fixture in desired position.
5. Drive fixture mounting screws securely. In some installations it may be desired to drill a pilot hole for the screws. Place the fixture in the desired position and drive mounting screws a small amount to provide a small reference point for drilling. Using a drill with a 1/16" drill bit, make two small pilot holes at the marked locations. Drive fixture mounting screws securely.
6. Turn on power.

CCT SELECTION

1. Slide switch to select desired CCT.



REMOVE LENS

ATTACH WIRING

MARK LOCATION/DRILL PILOT HOLES

ATTACH FIXTURE WITH FASTENERS (provided by others)

REPLACE LENS

