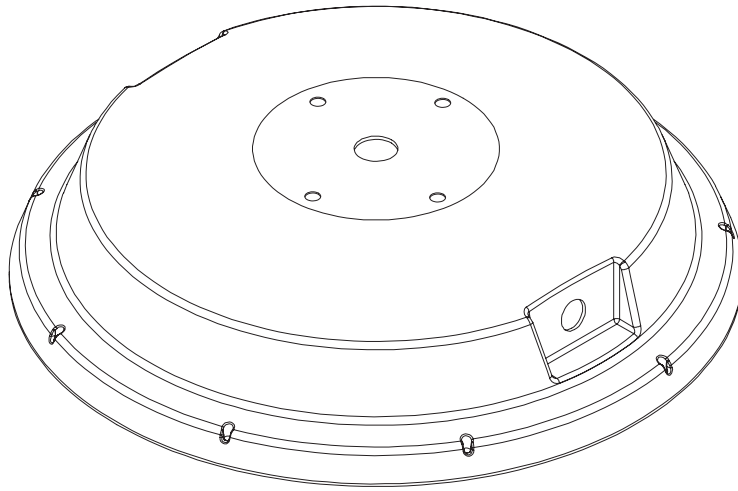


**WARNING:** Always install fixtures according to National Electrical Code (NEC) and local codes. Failure to do so will void the warranty and could cause damage to the fixture or may result in personal injury.

Installation of your round vapor tight light directly to a junction box is straight forward and requires no special tools. Your light body will come pre-drilled with holes in the top that will align with a standard junction box.

Please take great care when opening up the body to NOT damage the body gasket.



- 1** Remove lens cover
- 2** Remove LED board, carefully unplugging electrical leads
- 3** Insert screws thru driver tray, put included gasket between outer body and junction box, and secure light body to junction body
- 4** Route electrical leads thru top of unit and wire into existing leads
- 5** Reassembly LED board and lens in reverse order
- 6** Check for tight seal on edge

