

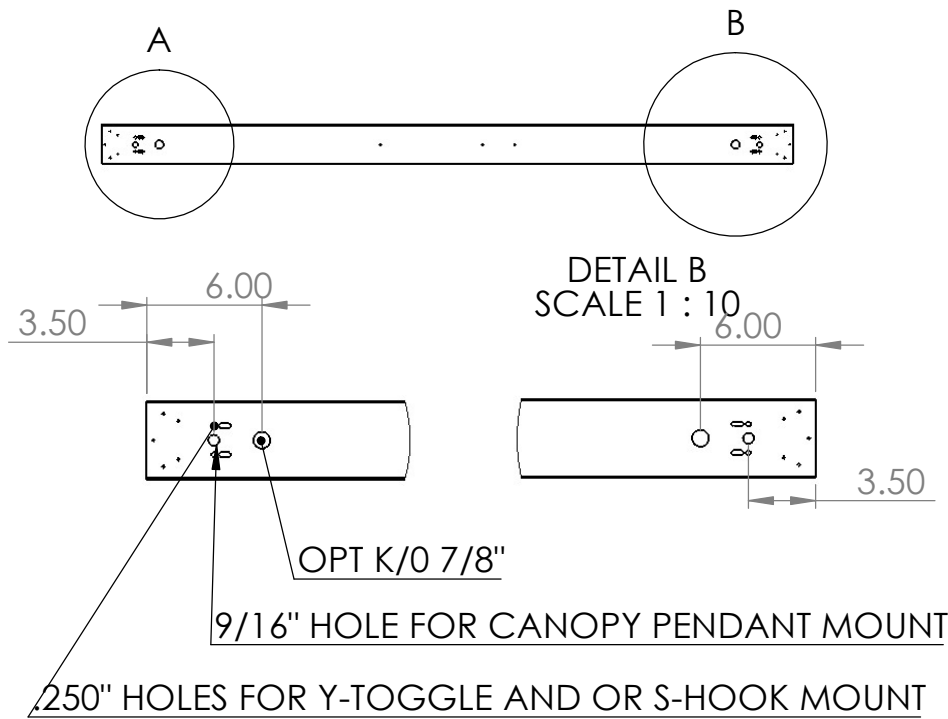
**CAUTION:** THIS PRODUCT MUST BE INSTALLED IN ACCORDANCE WITH THE APPLICABLE INSTALLATION CODE BY A PERSON FAMILIAR WITH THE CONSTRUCTION AND OPERATION OF THE PRODUCT AND THE HAZARDS INVOLVED. **SAVE THESE INSTRUCTIONS!**

**! WARNING:** Before beginning installation, disconnect electrical power at main switch or circuit breaker.

**IMPORTANT SAFEGUARDS**

Ensure that the electrical wiring conforms to the National Electrical Code NEC® and local regulations if applicable. Installation and servicing of this equipment should be performed by qualified service personnel only. Do not mount near gas or electric heaters. Equipment should be mounted in locations and at heights where it will not readily be subjected to tampering by unauthorized personnel. The use of accessory equipment not recommended by the manufacturer may cause an unsafe condition. Any modification or use of non-original components will void the warranty and product liability. Do not use this equipment for other than intended use.

**TYPICAL PENDANT MOUNT LOCATIONS FOR ALL LDL STEEL FIXTURES**



**CAUTION**

If fixtures ordered will not be installed upon delivery, or will be installed but not used for some time after installation, ensure that fixtures are stored properly. Leave fixtures palletized and inside a dry, indoor area. Be aware that damage to the fixture surface can penetrate the finished surface, and allow rust to form. Installed, but not illuminated, fixtures could be subject to moisture entering the fixture in damp locations. Heat from the fixture will be unable to dry the inside of the fixture. Ensure that fixtures are properly stored in the event that fixtures will be stored before install.



**Advantage.**  
Environmental Lighting

301 E Risinger Rd, Bldg 109 / Fort Worth, TX 76140 / phone: 817-468-3591  
Web: [www.aelnow.com](http://www.aelnow.com) / E-mail: [info@aelnow.com](mailto:info@aelnow.com)

## Non Feed System

