

HARDWARE LIST (by others)

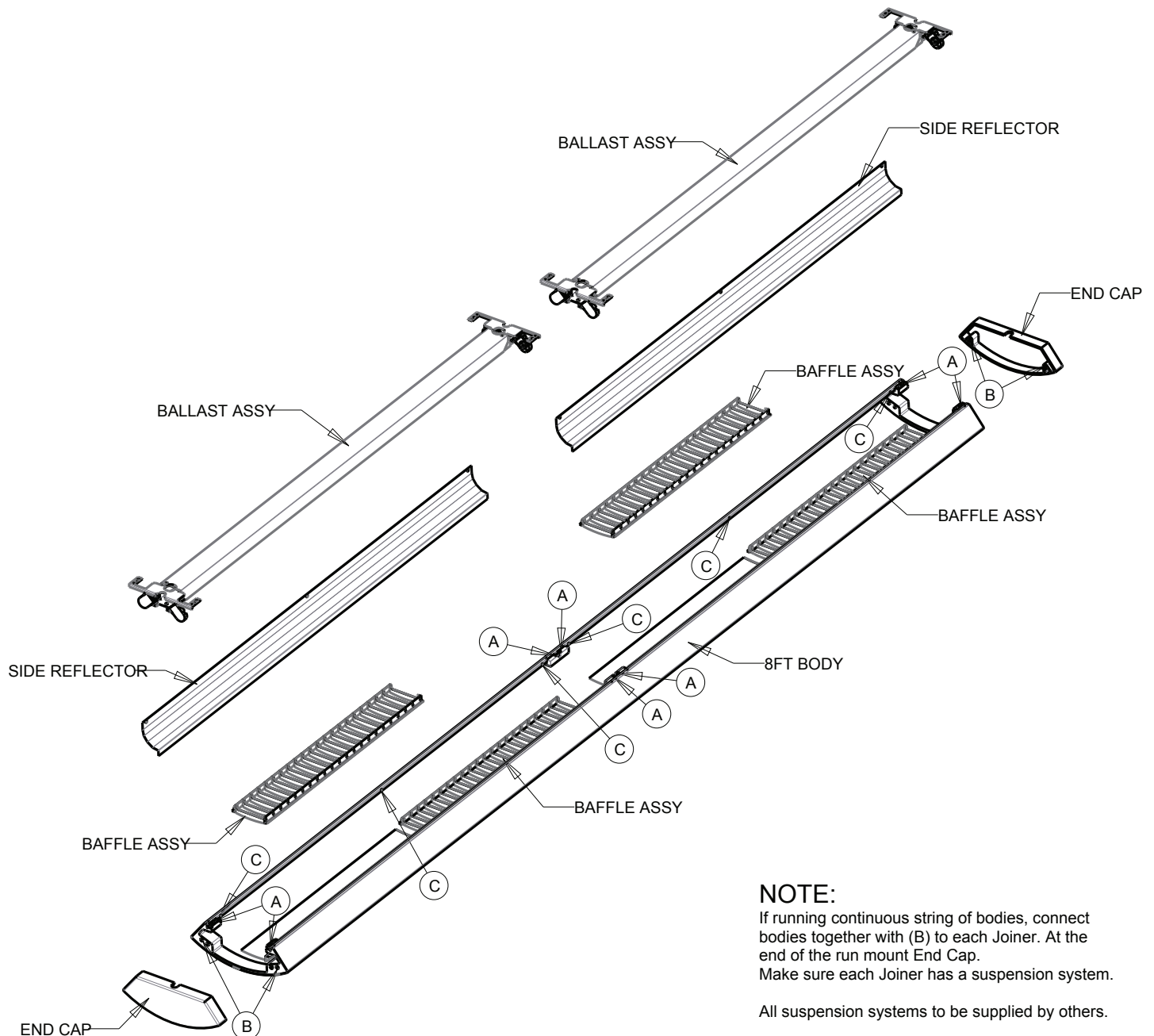
- (A) 8-32 X 1/4" Long Machine Screw (4 Pcs.)
- (B) 1/4 - 20 X 3/4" Long Allen Head Screw (4 Pcs.)
- (C) #8 X 1/4" Screw (6 Pcs.)

ASSEMBLY INSTRUCTIONS

- 1.) Mount End Cap to Body with (B)
- 2.) Insert Baffle Assembly (Snaps into 3" slots)
- 3.) Install Side Reflectors with (C)
- 4.) Install Ballast Assembly with (A).

NOTE:

Peel off all protective coating on reflectors.



NOTE:

If running continuous string of bodies, connect bodies together with (B) to each Joiner. At the end of the run mount End Cap. Make sure each Joiner has a suspension system.

All suspension systems to be supplied by others.

Warning:

Each Joiner must have a suspension system.