

**WARNING:** Always install fixtures according to National Electrical Code (NEC) and local codes. Failure to do so will void the warranty and could cause damage to the fixture or may result in personal injury.

**IMPORTANT: TURN ELECTRICITY OFF AT THE CIRCUIT BREAKER BEFORE INSTALLING FIXTURE.**

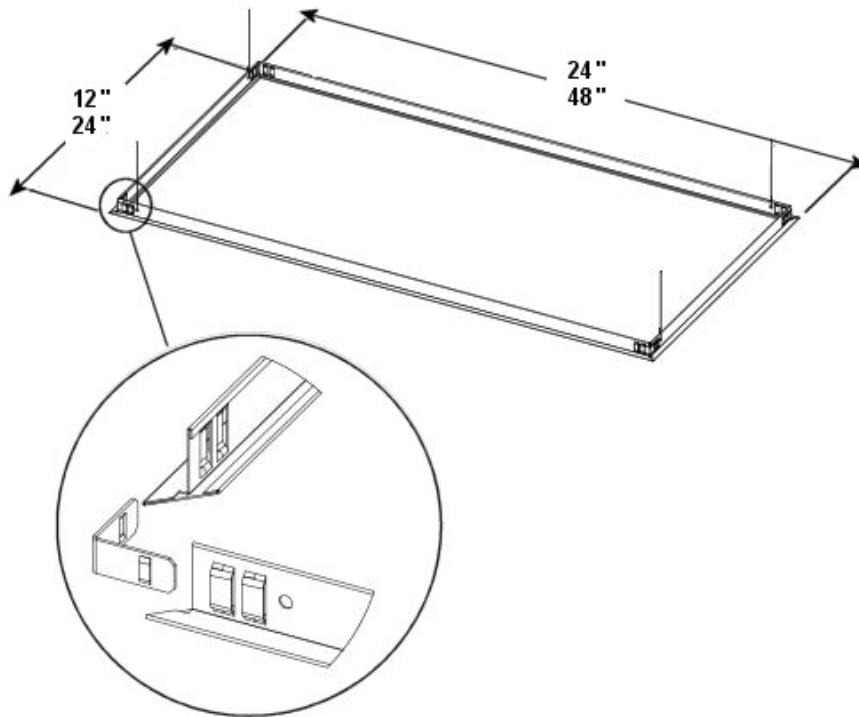
**Rough-In Sizes**

**1x4 Fixture = 12.25" x 48.25" Rough-In Ceiling Opening**

**2x2 Fixture = 24.25" x 24.25" Rough-In Ceiling Opening**

**2x4 Fixture = 24.25" x 48.25" Rough-In Ceiling Opening**

## INSTALLATION INSTRUCTIONS



- 1** Using supplied "L" corner joiner brackets, assemble the 4 side pieces together.
- 2** Insert flange kit into the pre-assembled cased opening.
- 3** Secure with screws through pre-drilled guide holes to the framing in order to trim out the ceiling opening.