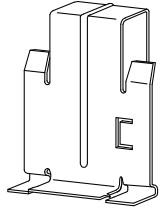
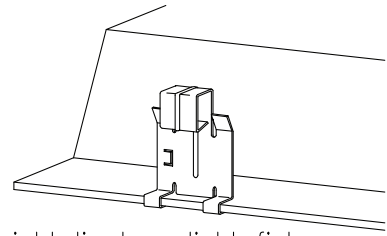
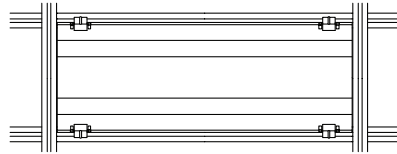


Four (4) clips per fixture required:

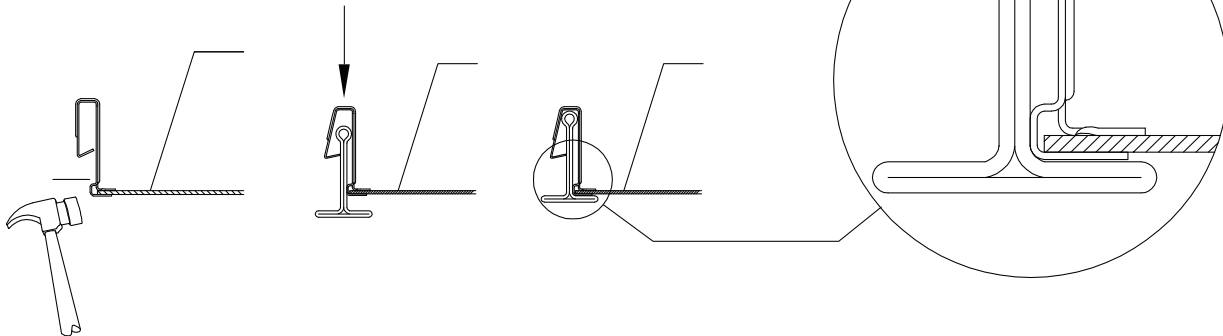


Made from spring steel



- Straight lip type light fixture (shown above)-
- Maximum fixture weight 56 lbs. [25 kg.]
- Upturned lip type light fixture-
- Positioning only

Straight Lip Type Light Fixture:



Upturned Lip Type Light Fixture:

