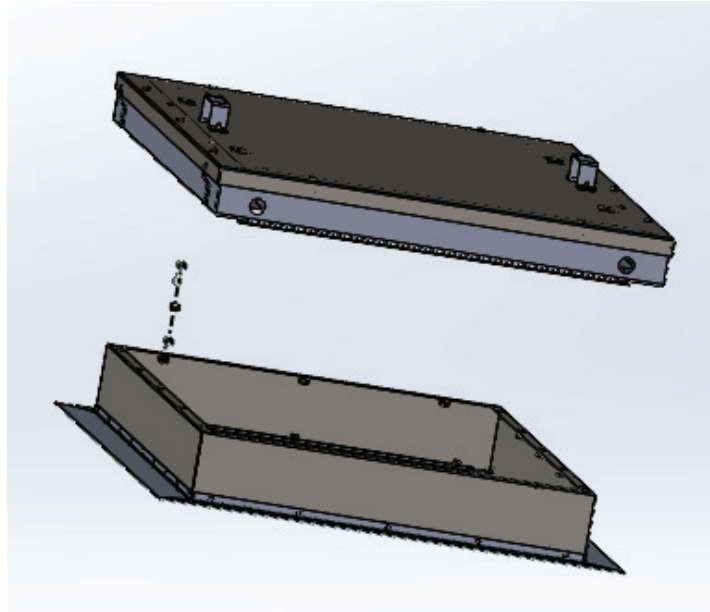
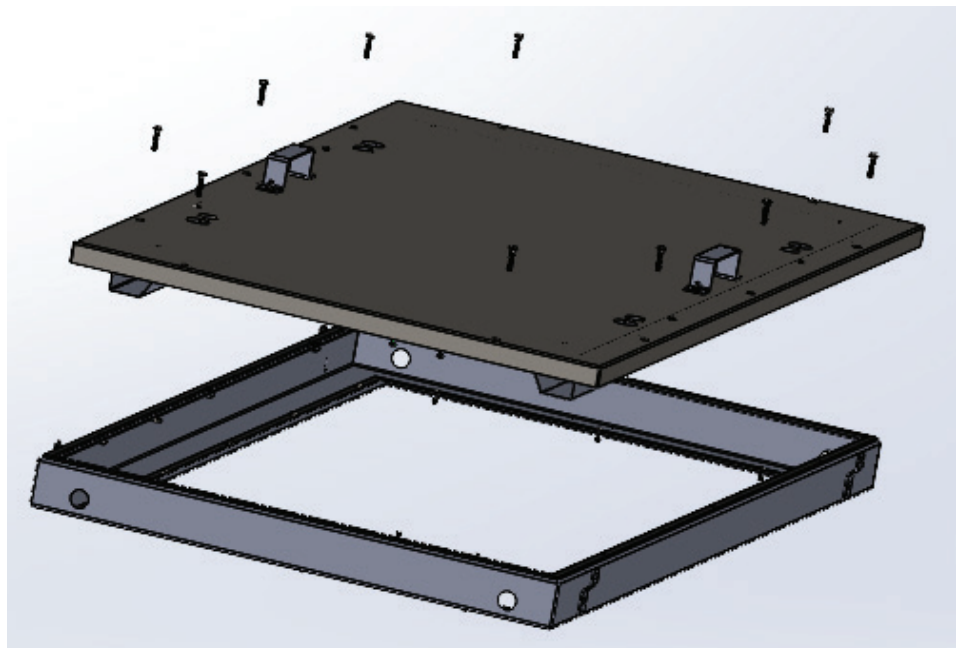


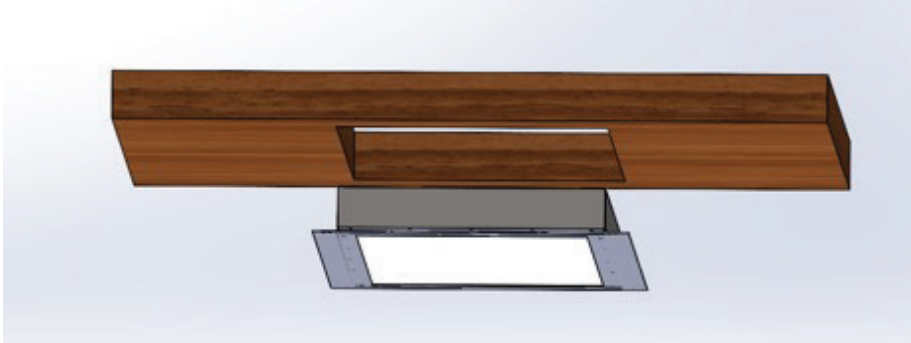
1. Remove lower and upper units from packaging. Place light fixture on a protected material to prevent surface scratching finish.



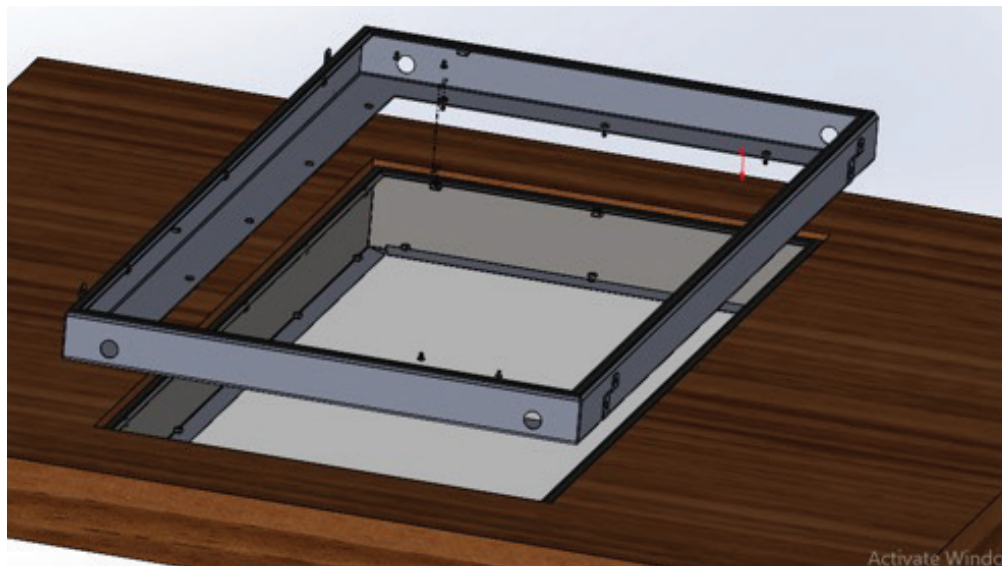
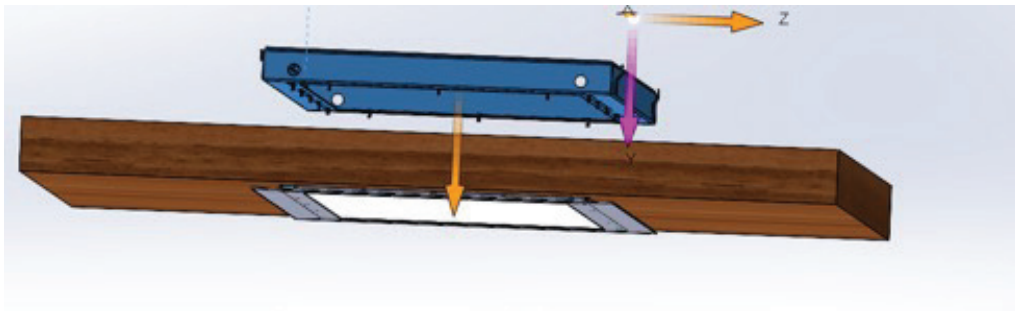
2. Locate upper unit and remove top plate 10 each #10-32 x 1" phillips pan head screws with O-rings and secure for re-installation.

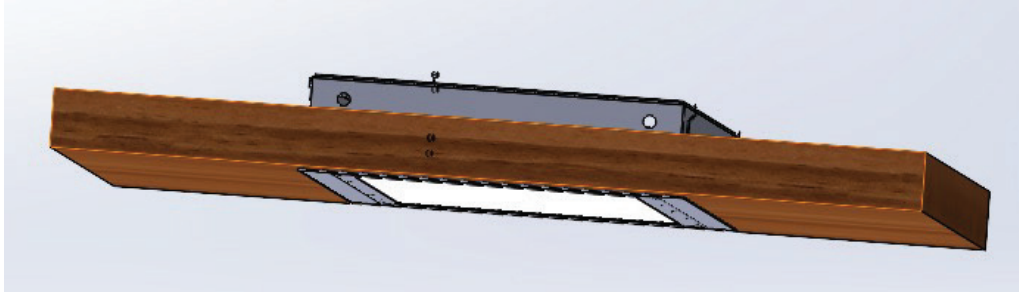


3. Place lower unit into ceiling cut out from room side.

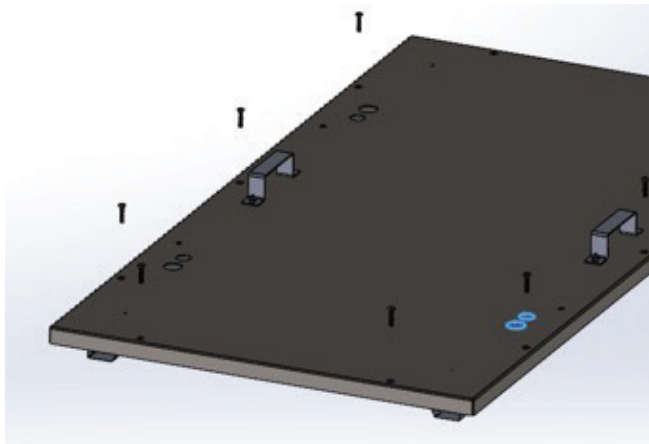


4. From the ceiling side place the upper unit into the ceiling cut out. Aligning 16 each #10-32 x 1/2" phillips pan head screws with the cage-nuts in the lower unit. Secure screws snug, but do not over torque.

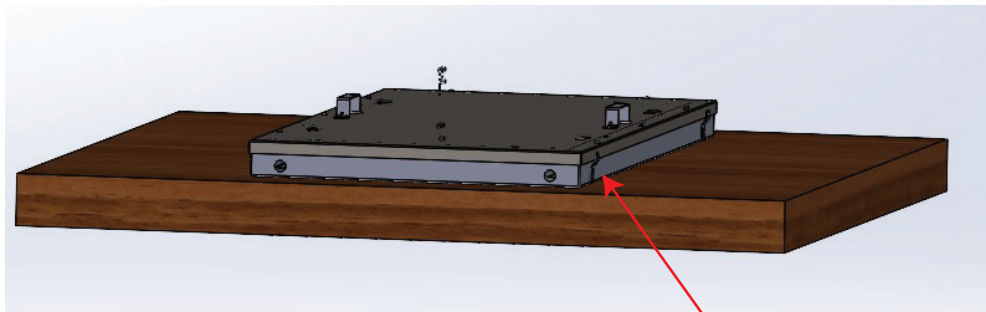




5. Locate top plate and prepare electrical connection into the optional knock outs on the top side of the electrical plate. Options are for 1/2" and or 3/4" connection.



6. Re-install top plate to upper unit using screws removed from step 2.



7. You have 4 optional support clips on the upper unit. These are provided to offer additional static support to secure unit to overhead structure.

