

CAUTION: THIS PRODUCT MUST BE INSTALLED IN ACCORDANCE WITH THE APPLICABLE INSTALLATION CODE BY A PERSON FAMILIAR WITH THE CONSTRUCTION AND OPERATION OF THE PRODUCT AND THE HAZARDS INVOLVED. SAVE THESE INSTRUCTIONS!



WARNING: Before beginning installation, disconnect electrical power at main switch or circuit breaker.

IMPORTANT SAFEGUARDS

Ensure that the electrical wiring conforms to the National Electrical Code NEC® and local regulations if applicable. Installation and servicing of this equipment should be performed by qualified service personnel only. Do not mount near gas or electric heaters. Equipment should be mounted in locations and at heights where it will not readily be subjected to tampering by unauthorized personnel. The use of accessory equipment not recommended by the manufacturer may cause an unsafe condition. Any modification or use of non-original components will void the warranty and product liability. Do not use this equipment for other than intended use.

GENERAL INSTRUCTIONS

Your emergency exit light will be secured by securing the case to wall studs (dimensions for mounting studs is supplied on next page).

STEP 1: Prepare mounting location (see below and next page.)

STEP 2: Remove electrical sign chassis from unit (4 each #1-32 screws).

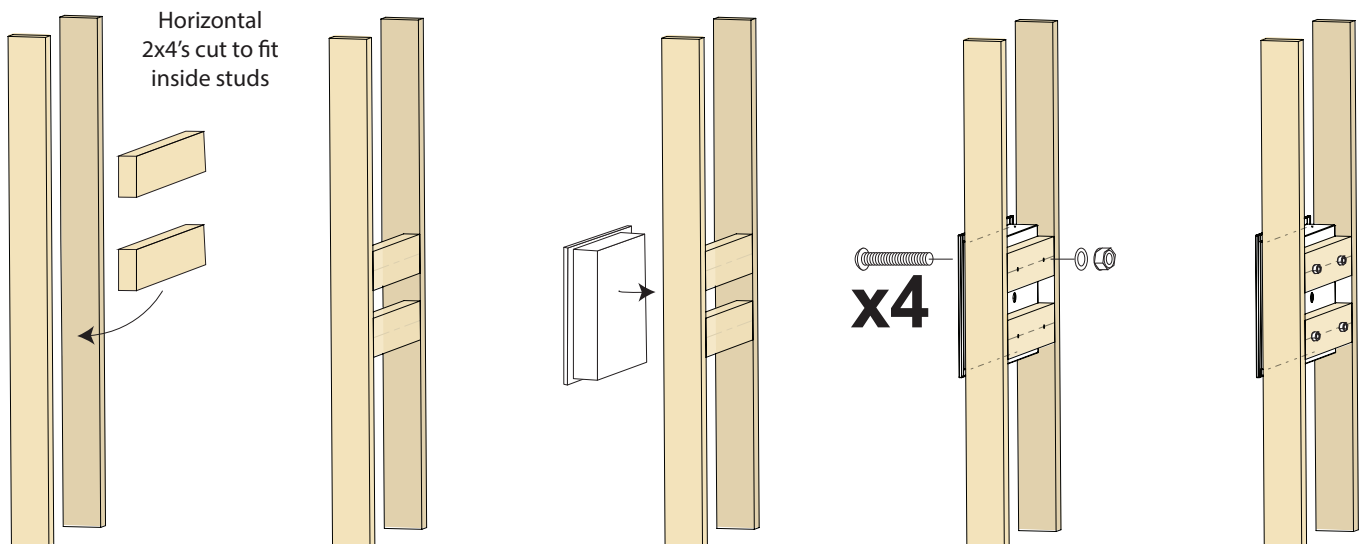
STEP 3: Place unit case into space, and drill 4 holes thru provided holes thru 2x4 studs (9.5" spacing on 2x4's outside to outside)

STEP 4: Position light unit into position and tighten with fasteners.

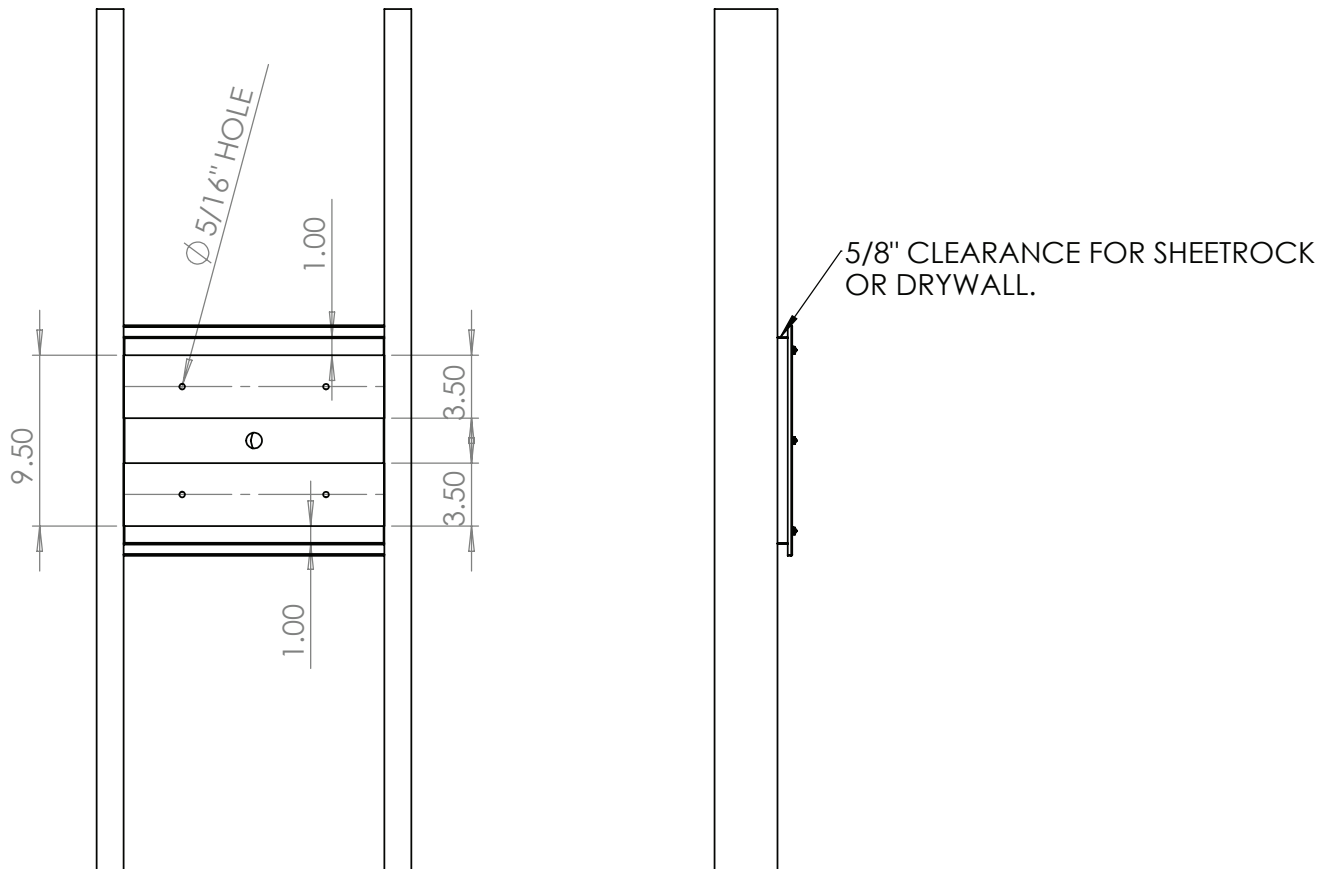
STEP 5: Replace exit light unit into case and secure with fasteners.

We recommend attaching faceplate after drywall/sheet rock work is completed. For a proper seal (for Clean-room installation), a gasket must be used between faceplate and drywall/sheetrock.

For 5/8" sheetrock flush is 14.5" flush to bracket studs. For other thicknesses, adjust 2x4 depth accordingly.



**INSTALLATION INSTRUCTIONS
FOR 5/8" DRYWALL AND 16" TYPICAL STUD CENTERS**



HARDWARE FOR MOUNTING SUPPLIED BY OTHERS:

- 4 EACH 1/4" X 2" BOLTS
- 4 EACH 1/4" LOCK NUTS
- 8 EACH 1/4" WASHERS

