

NOTES

- Installation should be completed by an individual familiar with the construction and operation of the luminaire.
- Installation of luminaire must be in accordance with nation and local building and electrical codes.
- Carefully read and follow all warnings and instructions before installing or servicing the luminaire.
- Instructions do not cover all details and all possible product configurations
- Do not restrict luminaire ventilation.
- Ensure LED luminaire is not covered with material that will prevent convection or conduction cooling.
- Do not exceed luminaire's maximum ambient temperature.
- Ensure LED luminaire has the correct polarity before installation.
- This product has maximum rated output of 55Vdc.
- Do not mount the luminaire to ceiling if convenience outlet option is provided

WARNINGS

Electric shock:

- Disconnect or turn off power before installing or servicing luminaire.
- All electrical wiring to be completed by a qualified licensed electrician in accordance with local and National/Canadian Electrical Code.
- Ensure supply voltage corresponds with the correct ballast/driver voltage.
- Avoid exposing wiring to metal edges and sharp objects.
- Ensure that the luminaire is properly grounded to prevent electric hazards.

Fire:

- Keep flammable and combustible materials away from the light source and/or lens.
- Use correctly rated supply conductors as indicated by product labeling.

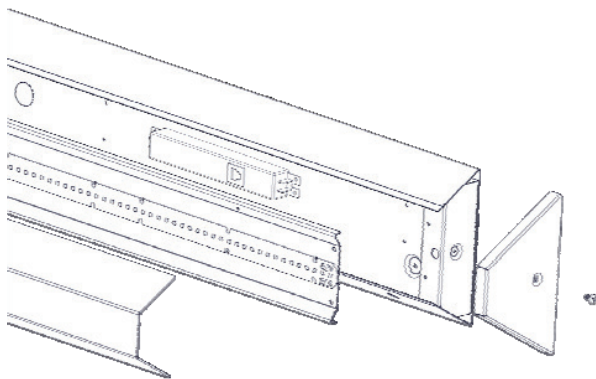
Burn:

- Allow luminaire to cool before handling luminaire.

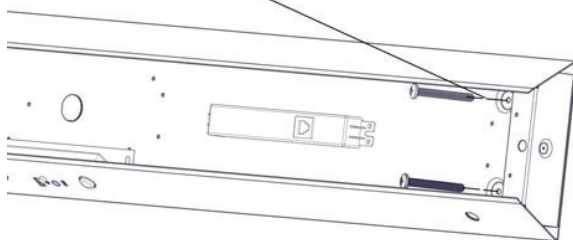
Personal Injury:

- Wear safety glasses and gloves when handling the luminaire to avoid physical injury.
- Avoid direct eye contact with light source.
- Always support the weight of the luminaire.

Advantage is not responsible for any injuries due to the improper installation or handling of its products.



Mounting hardware (4) - by others.
Two (2) required on each side of mounting offsets. Min fastener length: 11/2"



1. Carefully remove luminaire from packaging.
2. Remove end caps on standard unit, for continuous option this step is not required.
3. Remove lens from luminaire.
4. Remove wire way cover from luminaire.
5. Determine the location of the junction box and remove the corresponding K.O. on the luminaire and install any strain relief connector (by others) as required by local electrical codes.
6. Pull electrical supply wires through the knockout hole and into the luminaire.
7. Mount the luminaire to the mounting surface (ceiling/wall) using wood screws or appropriate hardware (by others). If no joists are present, use toggle bolts (by others).
8. Make the necessary wiring connections and ground connections in accordance with local electrical and /or building codes.
9. Re-install wire way cover.
10. Re-install lens for standard unit (for the continuous option, end plates are not required to be re-installed).

The following limited warranty policy applies only to the original purchaser of this product and is not transferable. Evidence of original purchase is required for warranty service. ADVANTAGE ENVIRONMENTAL LIGHTING will assume no liability for indirect, incidental, consequential damages of any kind or liquidated damages arising out of a breach of the sale. Any assistance ADVANTAGE ENVIRONMENTAL LIGHTING provides outside of the terms and exclusions of these warranties will not constitute a waiver of the warranty terms and exclusions, nor will such assistance revive or extend the warranty. The determination of whether the product is defective shall be made by ADVANTAGE ENVIRONMENTAL LIGHTING in its sole discretion with consideration given to the overall performance of the product.

ELEMENTS OF WARRANTY

Advantage Environmental Lighting warrants for the specified time period outlined below for each individual product category, to the original purchaser, this product to be free from defects in materials and workmanship under intended normal use, subject only to the limitations and exclusions set out below.

LED PRODUCT LIMITED WARRANTY

ADVANTAGE ENVIRONMENTAL LIGHTING warrants that the product, when delivered in new condition and in its original packaging, will be free of defects in material and workmanship for a period of FIVE (5) YEAR from the date of original purchase. A LED product shall not be considered defective solely as a result of the failure of an individual LED. The product will be considered defective only if a total of 15% or more of the individual LEDs in the product fail to illuminate.

EMERGENCY BATTERY LIMITED WARRANTY

ADVANTAGE ENVIRONMENTAL LIGHTING warrants that in products containing an emergency battery pack, when delivered in new condition and in its original packaging, the emergency battery pack will be free of defects in material and workmanship for a period of ONE (1) YEAR from the date of original purchase.

STATEMENT OF REMEDY

In the event the product does not conform to this warranty at any time while this warranty is in effect, ADVANTAGE ENVIRONMENTAL LIGHTING will repair or replace the product at ADVANTAGE ENVIRONMENTAL LIGHTING's sole discretion. The limited warranty set forth above is the sole and entire warranty pertaining to the product and is in lieu of and excludes all other warranties of any nature whatsoever, whether express, implied, or arising by operation of law, including, but not limited to any implied warranties of merchantability or fitness for a particular purpose. This warranty does not cover or provide for the reimbursement or payment of incidental or consequential damages.

PROCEDURE FOR WARRANTY CLAIMS

Before you return your product for a warranty claim, contact your ADVANTAGE ENVIRONMENTAL LIGHTING customer service representative for complete shipping instructions and to obtain a Return Authorization (RA) number. Any product returned for warranty repair must be delivered freight prepaid in either its original packaging or packaging affording an equal degree of protection.

THIS WARRANTY IS EFFECTIVE FOR PURCHASES OF PRODUCT ON OR AFTER THE EFFECTIVE DATE SET FORTH BELOW. ADVANTAGE ENVIRONMENTAL LIGHTING RESERVES THE RIGHT TO MODIFY THIS WARRANTY FROM TIME TO TIME WITHOUT NOTICE. ANY MODIFICATION OF THIS WARRANTY SHALL BE EFFECTIVE FOR ALL ORDERS PLACED ON OR AFTER THE EFFECTIVE DATE OF THE REVISED WARRANTY. EFFECTIVE DATE: JANUARY 1, 2023

IF YOU NEED SERVICE

Contact us with any questions concerning the warranty of an Advantage Environmental Lighting product.