

CAUTION: THIS PRODUCT MUST BE INSTALLED IN ACCORDANCE WITH THE APPLICABLE INSTALLATION CODE BY A PERSON FAMILIAR WITH THE CONSTRUCTION AND OPERATION OF THE PRODUCT AND THE HAZARDS INVOLVED. SAVE THESE INSTRUCTIONS!

⚠ WARNING: Before beginning installation, disconnect electrical power at main switch or circuit breaker.

1. Use flat blade screwdriver insert the two slots and pry off front cover from back plate (see Fig 1).
2. Remove appropriate knockout in back plate and mount back plate to J-box.
3. Knockout in center of back plate and feed wires through the hole.
4. Securely backplate to J-box.
5. Connect the J-box wires to the power supply wires using the wire nuts provided. Connect the white wire to neutral. If using 120V, connect the black wire to the hot lead. If using 277V, connect the orange wire to the hot lead. Cap the unused lead. Press the wires into the J-box (Refer to Wiring diagram below).
6. Connect remote heads. Refer to below instruction for remote heads.
7. Connect battery connector. (see Fig 2).
8. Snap the front cover onto the back plate.
9. Restore power and press test button. LED heads will turn on.
10. Adjust the lamp head and lens direction as per needs(see Fig 5).

Open fixture

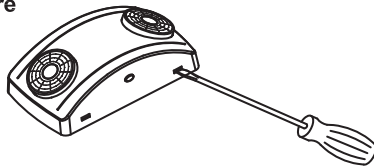


Fig 1

Wall mount-
Back Power Feed

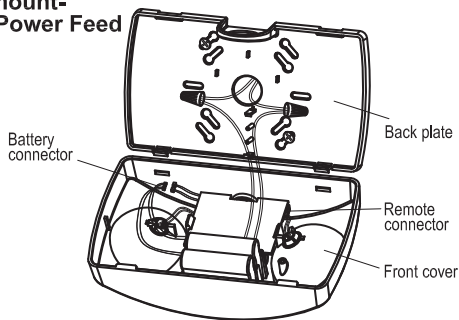


Fig 2

Wall mount-
Top Power Feed

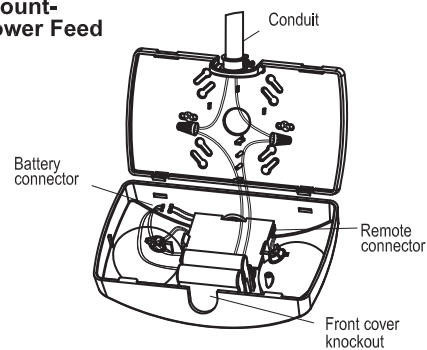


Fig 4

Ceiling mount-
Top Power Feed

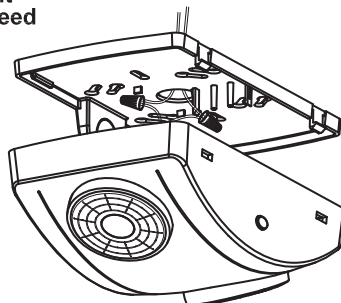


Fig 3

Adjust lamp head and lens

Only narrow lens has adjustable function. Adjust the lamp heads and lens direction according corridor pathway as per needs.

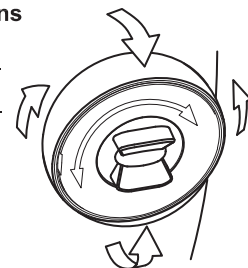


Fig 5