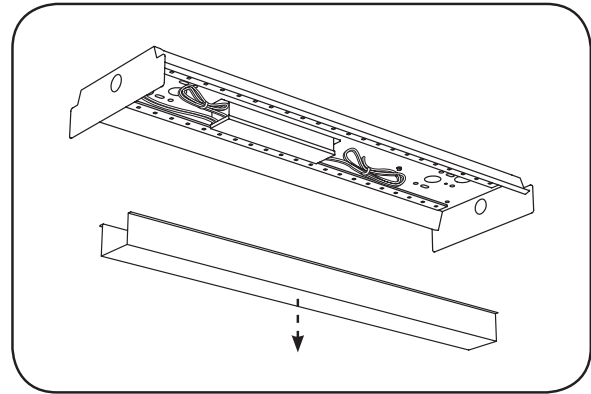
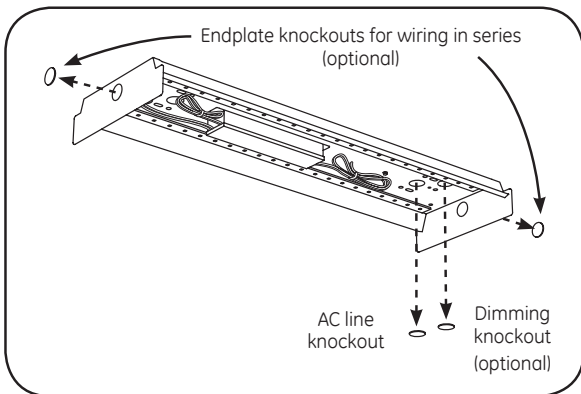


1 Turn off power.

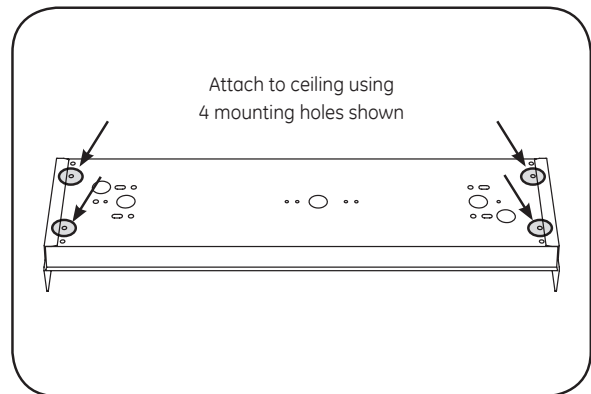


2 Remove the driver cover.

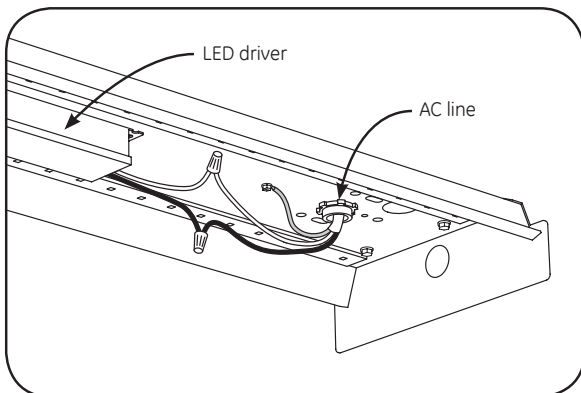


3 Remove knockout for the AC line input wires. Optionally, remove additional knockouts for dimming wires and/or wiring adjacent fixtures in series.

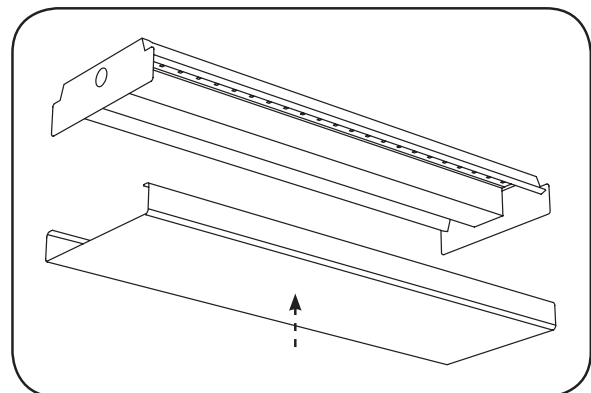
NOTE: If dimming wires are to be used (purple and gray wires), they must come out of a separate knockout than the line and neutral wires (white and black wires).



4 Use the four existing holes in the housing to drill four fasteners (optimal for the type of ceiling present) directly into the ceiling, one fastener in each hole. This fixture may be mounted directly to the junction box if desired. Each fastener should be rated to hold at least 11 pounds.



5 Install listed electrical fittings in the knockout holes for wire protection. Connect the AC line to the black (line) and white (neutral) input wires of the LED driver using 18-14WG twist-on wire connectors. Connect the green (ground) wire to the ground screw of the housing.



6 Replace the driver cover. Install the lens over the housing and make sure it snaps in place securely.