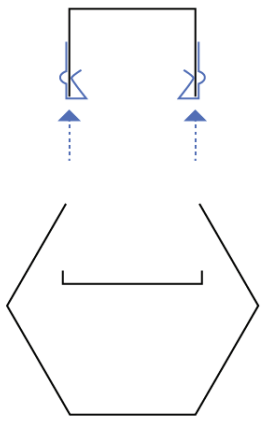


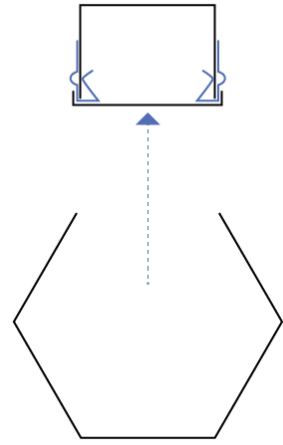
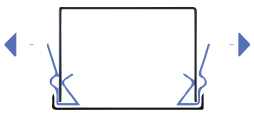
**1: Attach clips to fixture body**

We provide 4 snap on hinge clips with each strip light wire guard.  
Use 2 clips per side, about 9 inches from each end.



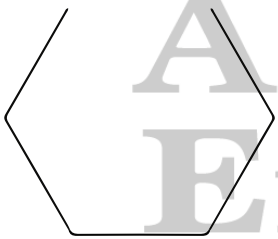
**2: Attach cover plate (and lamps) to fixture body**

Cover plate (part of the light fixture, not the guard) goes over the clips.  
This is also the time to install the lamps.



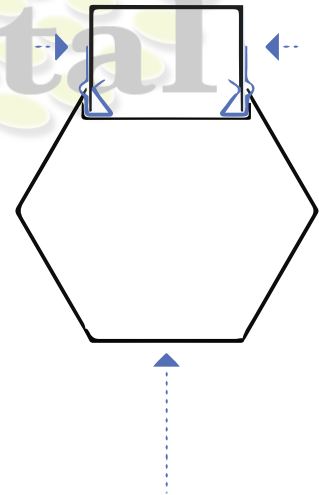
**3: Slightly pry open clips to slide wire guard into place**

You may not even need to pry them. The wire guard just needs to be able to slide in.

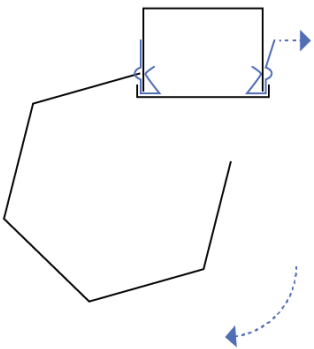


**4: Insert wire guard and press clips tight**

Wire guard will sit in the groove built into the clip.



**5: Slightly pry clips on one side and pull wire guard up and out to hinge.**  
This is mainly for maintenance... it's not part of installation.



**OVERVIEW**

