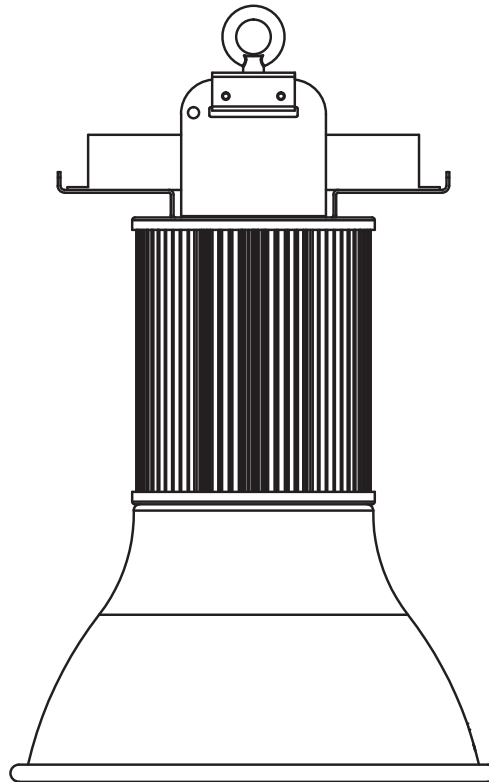




Advantage Environmental Lighting

LED Highbay Fixture

Installation Instructions



LED
Technology

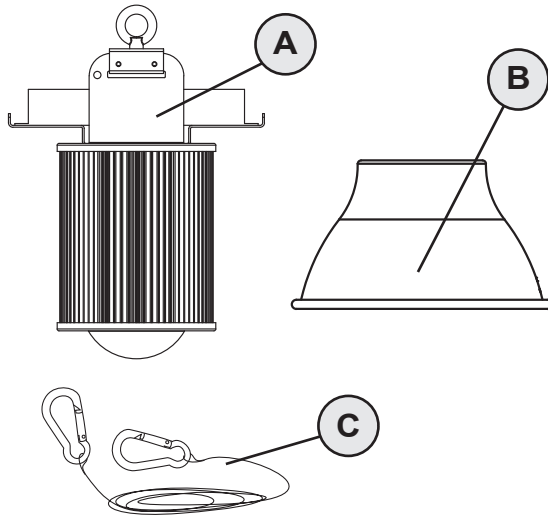


ATTACH YOUR RECEIPT HERE

Item Number _____ Purchase Date _____

Questions, problems, missing parts? Before returning to your retailer, call our customer service department at 817-468-3591.

PACKAGE CONTENTS



Part	Item Name	Qty.
A	Fixture Body	1
B	Reflector (packaged separately)	1
C	Safety Cable	1

SAFETY INFORMATION

Please read and understand this entire manual before attempting to assemble, operate or install the product. Failure to do so could lead to electric shock, fire or other injuries that could be hazardous or even fatal.

- Be sure the electricity to the wires you are working on is shut off. Either remove the fuse or turn off the circuit breaker.
- Changes or modifications not expressly approved by the party responsible for compliance could void the user's authority to operate the equipment.
- This product must be installed in accordance with local, state and national electrical codes.
- Installation work shall be completed by a licensed installer that is familiar with the construction and operations of the product.

CAUTION:

- The fixture body is one piece. Do not disassemble it.
- This product can only be dimmed when connected to a 0-10v dimming system.

NOTICE

- This device complies with Part 15 of the FCC Rules. Operation is subject to the following two conditions: (1) This device may not cause harmful interference, and (2) this device must accept any interference received, including interference that may cause undesired operation.

SAFETY INFORMATION

- This equipment has been tested and found to comply with the limits for a Class B digital device, pursuant to part 15 of the FCC Rules. These limits are designed to provide reasonable protection against harmful interference in a residential installation. This equipment generates, uses and can radiate radio frequency energy and, if not installed and used in accordance with the instructions, may cause harmful interference to radio or television reception, which can be determined by turning the equipment off and on. The user is encouraged to try to correct the interference by one or more of the following measures:

- Reorient or relocate the receiving antenna.
- Increase the separation between the equipment and the receiver.
- Connect the equipment into an outlet on a circuit different from that to which the receiver is connected.
- Consult the dealer or an experienced radio/TV technician for help.

- This Class B digital apparatus complies with Canadian ICES-003.

PREPARATION

Before beginning assembly of product, make sure all parts are present. Compare parts with package contents list and hardware contents list. If any part is missing or damaged, do not attempt to assemble the product.

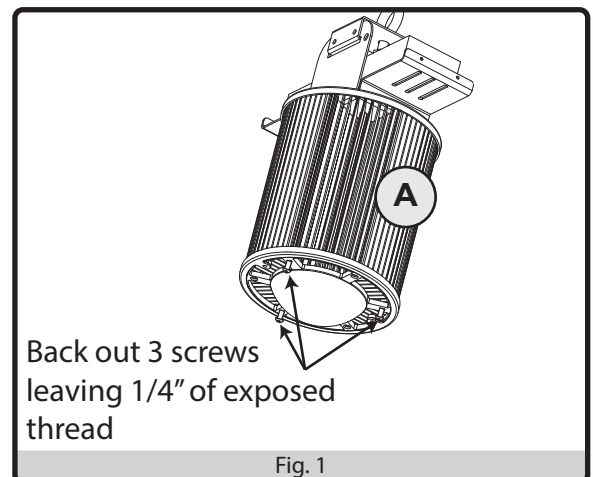
Estimated Assembly Time: 20 minutes.

Tools Required for Assembly (not included): Phillips screwdriver, flathead screwdriver, safety glasses.

INSTALLATION INSTRUCTIONS

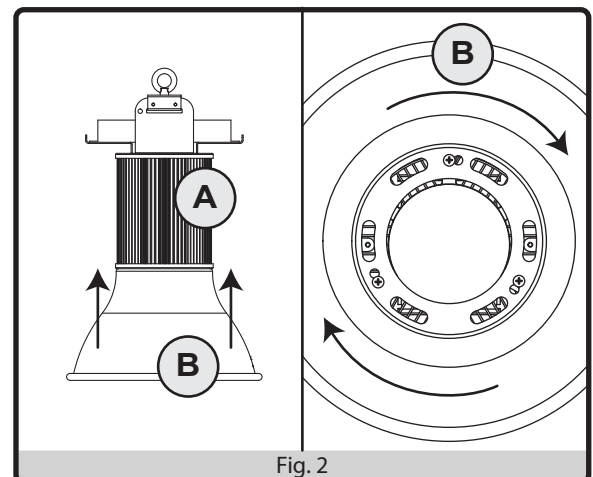
Before beginning installation, ensure that power is disconnected to the supply wires.

1. Back out the 3 screws at the front of the fixture body (A) leaving about 1/4-inch between the screw head and the fixture body.



INSTALLATION INSTRUCTIONS

2. Align the large opening of the 3 keyhole slots on the reflector (B) with the 3 extended screws on the fixture body (A), turn the reflector clockwise until the screw heads sit over the narrow end of the keyhole slots. Torque down the screws so that the reflector (B) is secured to the fixture body (A).



3. Attach one end of the safety cable (C) to a solid point on the rear of the fixture body (A).

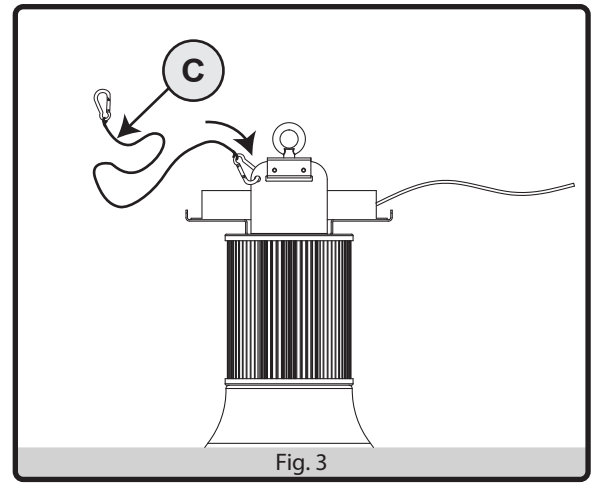


Fig. 3

4. Hang the fixture onto a structural hook on the building, ensure that the hardware is properly rated for the fixture weight. Attach or loop the free end of the safety cable (C) onto a structural beam or mounting point.

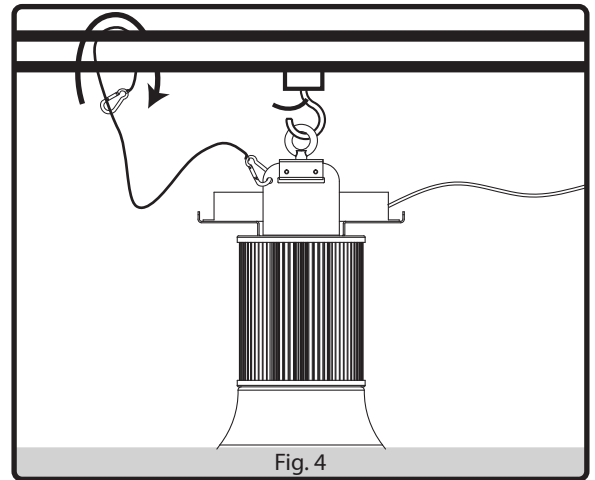


Fig. 4

INSTALLATION INSTRUCTIONS

5. Route the input wires into an available junction box securing the line with an appropriate junction box fitting. Connect the wires black to black, white to white, and green to green.

Dimming Connection: If fixture is to be connected to a dimming system, connect the purple and gray leads to its corresponding 0-10v dimming supply leads. Otherwise, leaving the fixture 0-10v dimming leads open will enable the fixture to run at 100% lumen output.

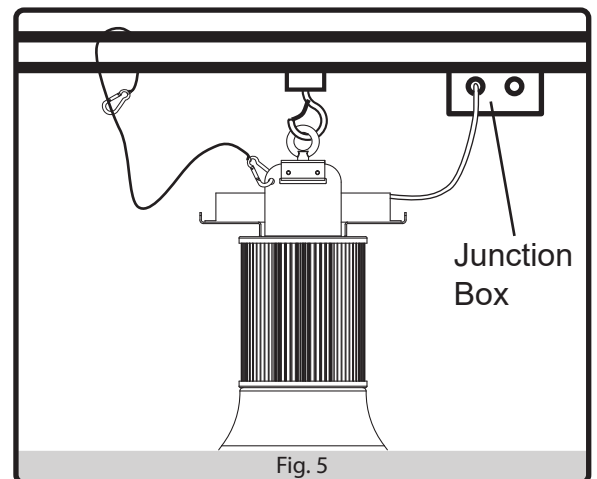


Fig. 5

CARE AND MAINTENANCE

Clean with a mild, non-abrasive glass cleaner and soft cloth. Do **NOT** use solvents or cleaners containing abrasive agents. When cleaning the fixture, make sure the power is turned off, and any liquid spray should be applied to the cleaning cloth and not sprayed directly onto the fixture itself.

TROUBLESHOOTING

Problem	Possible Solution	Corrective Action
Fixture does not light.	<ol style="list-style-type: none"> 1. Power is off. 2. Incorrect wire connection. 3. Defective wall switch. 	<ol style="list-style-type: none"> 1. Check circuit breaker or wall switch. 2. Check wire splices. 3. Replace switch.
Circuit breaker trips when light is turned on.	Crossed wires or power wire is grounded out.	Verify wires are correctly connected.