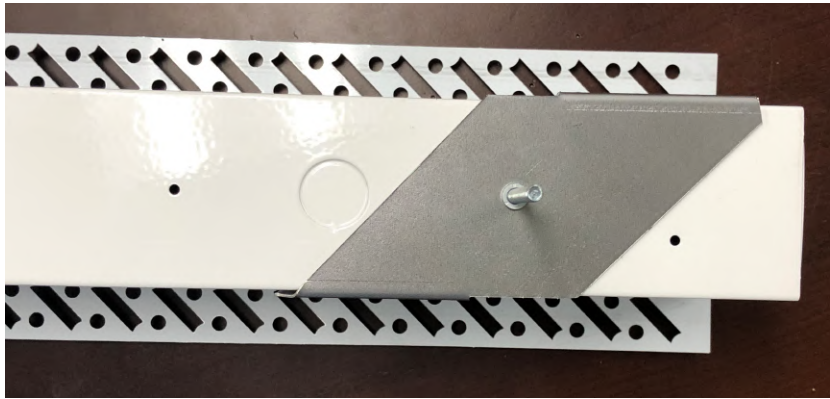
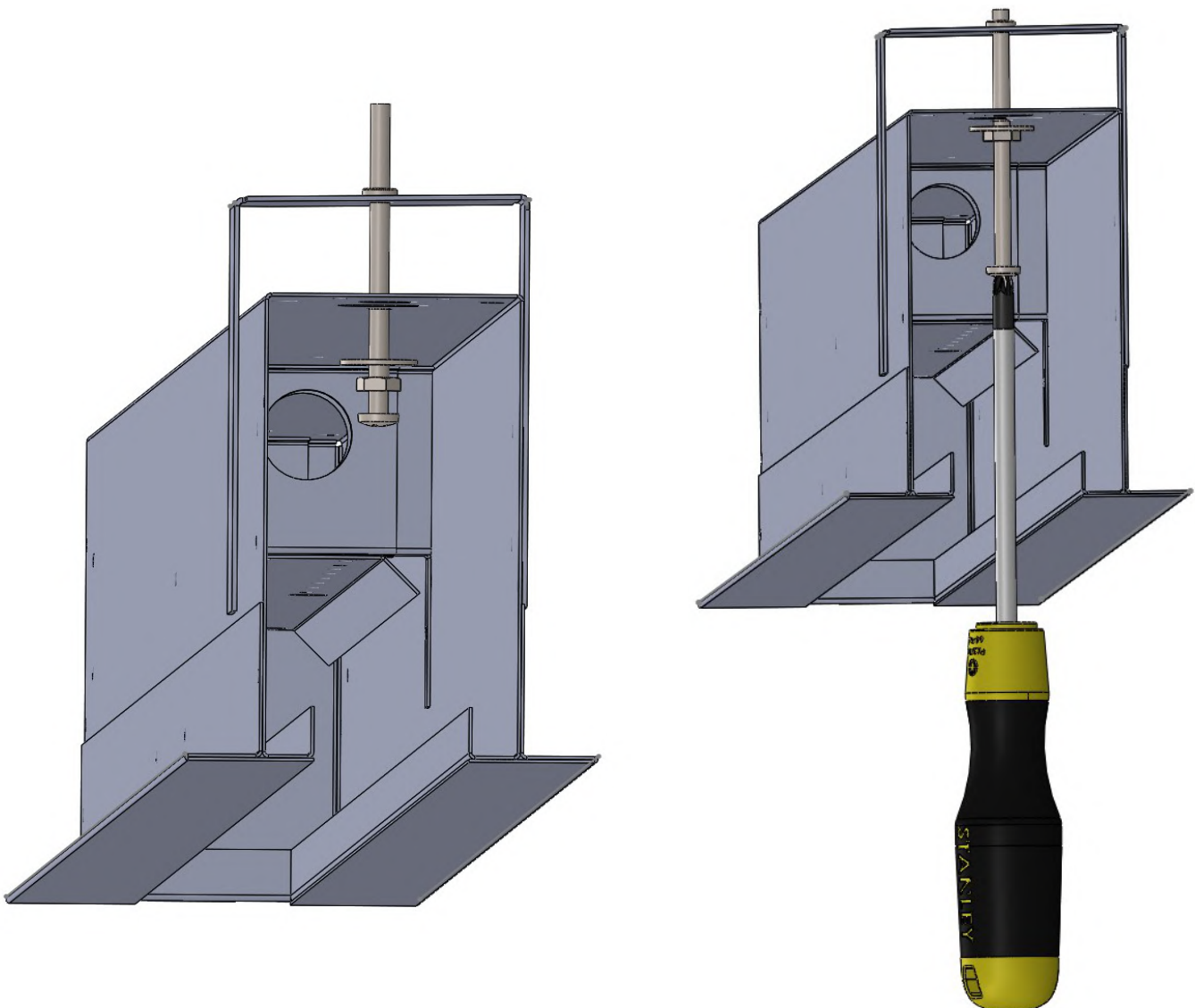


LDL Recessed Flange and Recessed Flangeless Trim Installation

**Step 1: Place included bracket on the top of the fixture.**



**Step 2: Inside of the fixture, start to screw on the bracket. Adjust the nut to set the desired height of the bracket.**



LDL Recessed Flange and Recessed Flangeless Trim Installation

**Step 3:**

**When the bracket is fully screwed on, the final turn will cause the bracket to turn with it. The fixture is now secured in place.**

