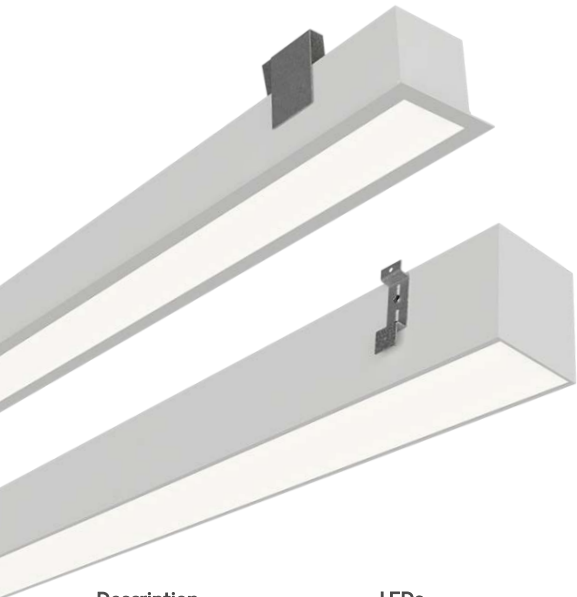


# XDL4RWL 4.0" x 4.5" Linear Recessed Wet Location



PROJECT \_\_\_\_\_

CATALOG # \_\_\_\_\_

TYPE \_\_\_\_\_

## Highlights

- Tool-Less Entry
- High efficacy and lifespan LEDs
- Recessed, Flanged, and Flangeless Trim mounting
- Wet Location Rated

### Description

The XDL4RWL is a recessed wet location LED linear fixture, design with quality craftsmanship. Engineered for quick and easy tool-less installation. The XDL series provides clean lines, smooth continuous runs, and tight lens fitment. Available in continuous runs and custom angles and lengths.

### Construction

Constructed of a precision cut, proprietary aluminum extrusion with flat end caps. Internal joiner system. Available in any length with a 2' minimum. Custom gaskets seal the fixture to make a wet location rated linear fixture.

### Tool-less Entry

LED Board tray clips in with quick release holders, and held on by tethers. Releasing the clips drops and holds the board tray, allowing quick, tool-less, and easy wiring of the fixture.

### Mounting

Lay-in grid fixtures fit 9/16 and 15/16 standard T-grids. Flanged mounting and flangeless trim mounting options include innovative top mount bracket to support the fixture.

### LEDs

High Output LEDs are available in 2700K, 3000K, 3500K, 4000K, and 5000K color temperatures. Integral LEDs are rated for at least 100K life hours (L70).

### Optics

Snap-in satin acrylic lens fully diffuses the appearance of the LEDs and provides excellent light transmission.

### Driver

0-10V dimming driver included standard. Driver options available for 1% dimming, Lutron EcoSystem, and DALI.

### Finish

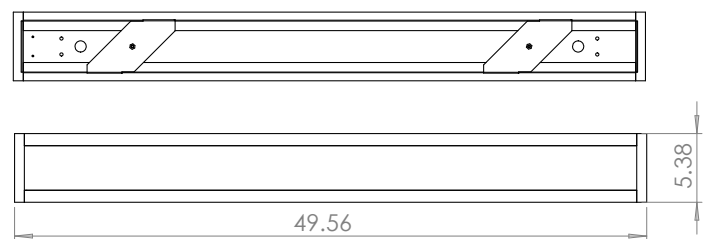
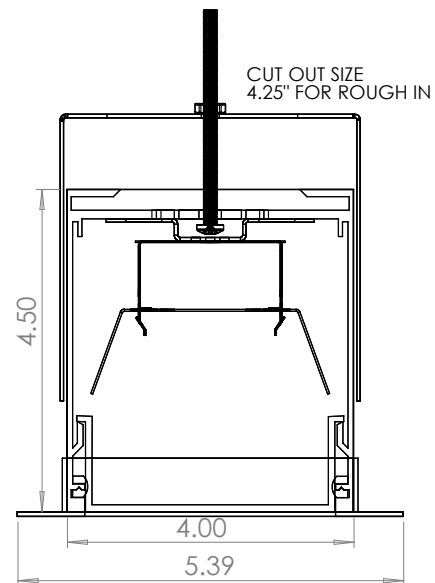
Matte white finish standard. Custom finish options are available in various RAL colors.

### Options

Various options are available. If additional or custom options are needed, consult factory.

### Listings

BAA Compliant. Designed and manufactured in the USA. UL listed.



# XDL4RWL 4.0" x 4.5" Linear Recessed Wet Location

## ORDERING INFORMATION

**Example:** XDL4RWL-L-40-10L-M-W-4  
**With options:** XDL4RWL-L-40-10L-M-W-4-12EBL

Fixture	Mounting	CCT	Output	Voltage	Finish	Length
XDL4RWL	■ <b>L</b> <i>Lay-in Grid</i>	■ <b>27</b> 2700K	■ <b>5L</b> 500 Lm/Ft	■ <b>M</b> <i>Multi-Volt (120-277V)</i>	■ <b>W</b> <i>Matte White</i>	■ <b>2</b> 2 ft
	■ <b>F</b> <i>Flanged</i>	■ <b>30</b> 3000K	■ <b>7L</b> 700 Lm/Ft		■ <b>SP</b> <i>Special Finish</i>	■ <b>3</b> 3 ft
	■ <b>FT</b> <i>Flangeless Trim</i>	■ <b>35</b> 3500K	■ <b>10L</b> 1000 Lm/Ft		■ <b>4</b> 4 ft	
		■ <b>40</b> 4000K	■ <b>14L</b> 1400 Lm/Ft		■ <b>5</b> 5 ft	
		■ <b>50</b> 5000K	■ <b>XXXXL</b> XXXX Lm/Ft		■ <b>6</b> 6 ft	
					■ <b>7</b> 7 ft	
					■ <b>8</b> 8 ft	
					■ <b>XX</b> XX ft	

For special runs, such as wall-to-ceiling, 90 degree or custom angle turns, add desired length after the option.  
 eg: XDL4RWL-FT-40-10L-M-W-14-90D-13 for 14 foot to 90 degree turn to 13 foot.

### Options: Add to end of part number

Driver Options	Options
■ <b>(BLANK)</b> <i>0-10V 10% dimming driver</i>	■ <b>14EBL</b> <i>14 Watt Emergency Ballast</i>
■ <b>CD1</b> <i>0-10V 1% dimming driver</i>	■ <b>EC</b> <i>Emergency Circuit</i>
■ <b>CD5</b> <i>0-10V 5% dimming driver</i>	■ <b>90</b> <i>90 CRI</i>
■ <b>EDN</b> <i>Non-dimming electronic driver</i>	■ <b>90D</b> <i>90 Degree Turn</i>
■ <b>DALI</b> <i>DALI 1% dimming driver</i>	■ <b>90V</b> <i>90 Degree Ceiling-to-Wall</i>
■ <b>LDE1</b> <i>Lutron Hi-Lume 1% EcoSystem LED Driver</i>	■ <b>XXD</b> <i>XX Degree turn (90 to 60 degrees)</i>

# XDL4RWL 4.0" x 4.5" Linear Recessed Wet Location

## SPECIFICATIONS

### LED Information

Output	5L	7L	10L	14L
Lumens/Ft*	500	700	1000	1400
System Wattage/Ft	3.125W	4.375W	6.25W	8.75W
Efficacy (Lm/W)	160	160	160	160
CRI	>82	>82	>82	>82
Dimming	0-10V	0-10V	0-10V	0-10V
Color Consistency	>3 SDCM	>3 SDCM	>3 SDCM	>3 SDCM
Rated Life (L70)	>100,000 hrs	>100,000 hrs	>100,000 hrs	>100,000 hrs

\* Lumen output was calculated with 4000K LEDs.

### Lumen Adjustment Factors 80 CRI

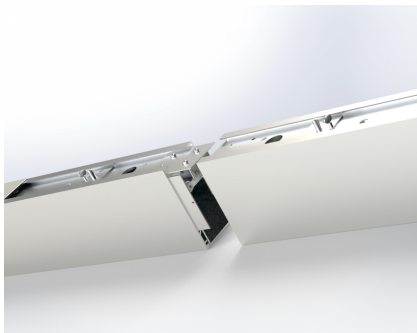
CCT	2700K	3000K	3500K	4000K	5000K
Adjustment	93.5%	95.2%	96.8%	100.0%	103.0%

### Lumen Adjustment Factors 90 CRI

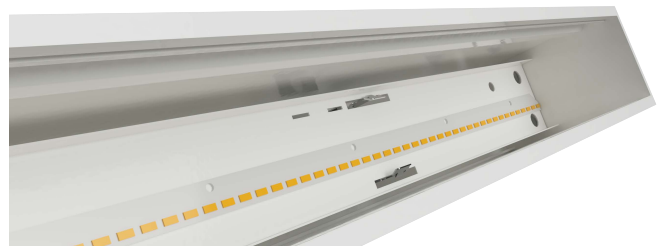
CCT	2700K	3000K	3500K	4000K	5000K
Adjustment	77.5%	79.2%	80.8%	85.1%	87.3%

### Innovative Features

- Light trap prevents light leaks



- Board tray quick-release holders



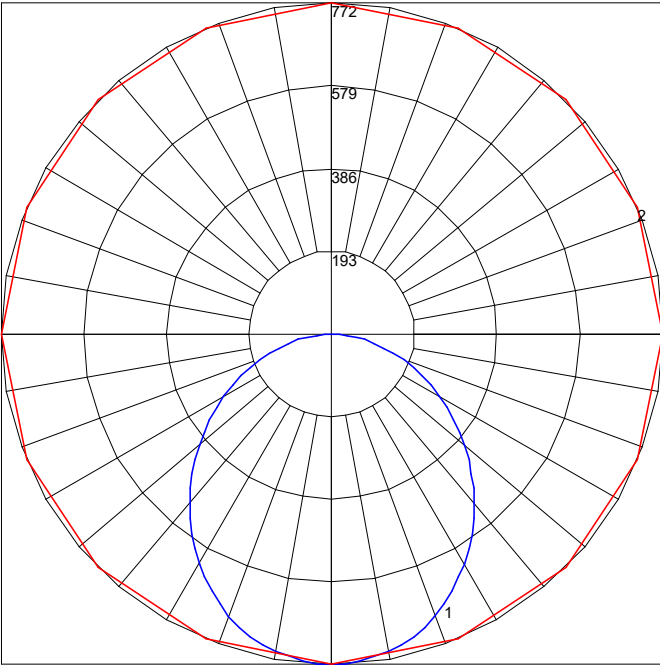
- Board tray connected with tethers



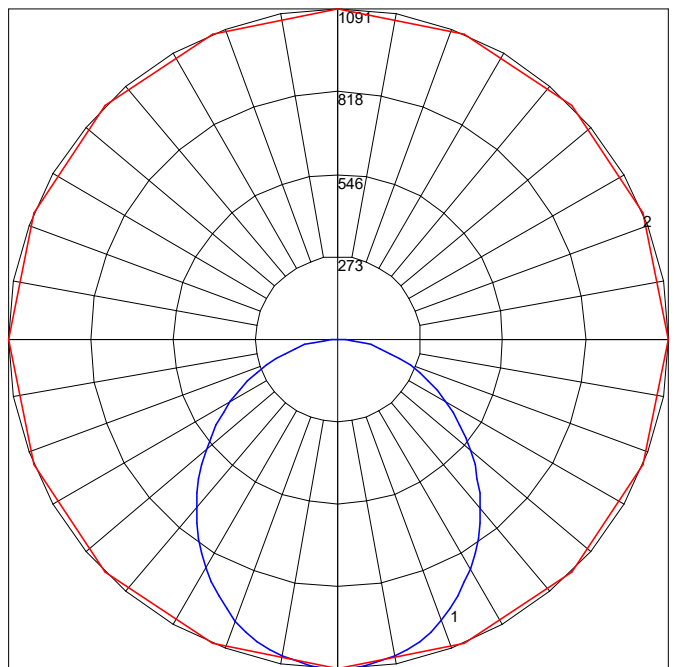
# XDL4RWL 4.0" x 4.5" Linear Recessed Wet Location

## PHOTOMETRICS

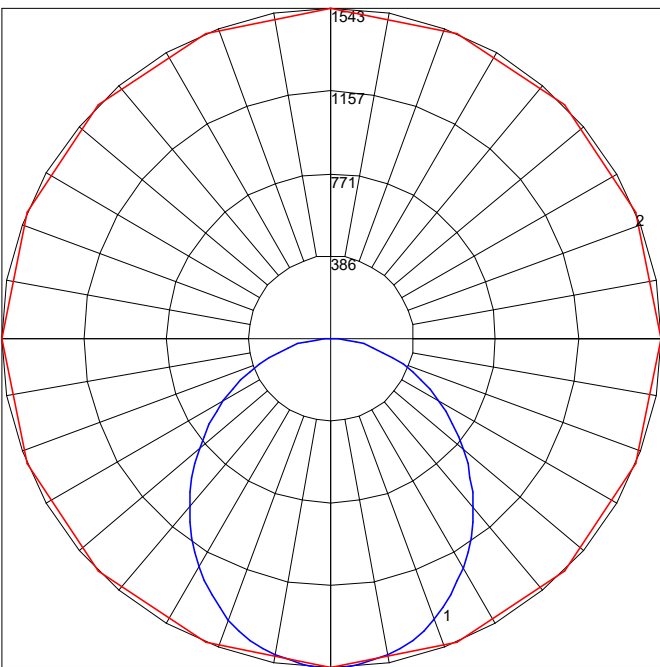
**File Name: XDL4RWL-X-40-5L-M-W-4.IES**  
**XDL4RWL 4.0" X 4.5" LED Recessed 5L Output**



**File Name: XDL4RWL-X-40-7L-M-W-4.IES**  
**XDL4RWL 4.0" X 4.5" LED Recessed 7L Output**



**File Name: XDL4RWL-X-40-10L-M-W-4.IES**  
**XDL4RWL 4.0" X 4.5" LED Recessed 10L Output**



**File Name: XDL4RWL-X-40-14L-M-W-4.IES**  
**XDL4RWL 4.0" X 4.5" LED Recessed 14L Output**

