



CATALOG #:  
PROJECT:  
TYPE:



# TPSRD20 ROUND TAPERED STEEL POLE

N2M is proud to introduce a new standard in high-quality steel lighting poles. American made steel combined with unwavering accuracy and a wide range of drilling and finish options, make N2M poles the perfect choice for your next project. Our BAA compliant poles are an obvious choice over inferior, imported options.

**CONSTRUCTION:** Our TPSRD Pole is fabricated from hot rolled carbon steel having a minimum yield of 55,000 PSI and conforms to ASTM A572 Grade 55 or A595 Grade A requirements. This tapered shaft construction is a single piece of formed steel welded longitudinally. The hand hole is located 1' above the pole base. A ground lug is provided standard.

**ANCHOR BASE:** Our anchor base is made from ASTM A36 grade hot rolled carbon steel plate and comes standard with a minimum yield strength of 36,000 PSI. An aluminum marine-grade base plate cover is provided which encloses the base plate and anchor bolts. Anchor bolts are available to order as a separate line item, and are available as pre-shipped with a rigid template.

**MOUNTING/DRILL PATTERN:** A variety of mounting and drill patterns are offered to meet the needs of various applications. Inquire with your N2M representative for custom drill patterns.

**FINISH:** A highly durable, long-lasting polyester powder coat finish is standard and can be applied in a variety of finish options. Standard colors include black, bronze, white, green, silver, grey (custom colors are available). Galvanized and painted galvanized poles are also available.

**WARRANTY: Standard:** 2-Year warranty for structural and 5-Years for finish. **Galvanized (extended warranty):** 10-Year structural warranty combined with 5-Years for the finish. Our warranty will be voided if the pole is modified or installed improperly.\*

**QUICK FACTS:**

- HEIGHT: 20'
- BASE O.D.: 6.3"
- TOP O.D.: 3.5"
- GAUGE: 11
- WT.: 158 lbs.

**ROUND TAPERED POLE ORDERING INFORMATION** Example: TPSRD-20-11-BLK-D1-AV

SERIES	HEIGHT	GAUGE	FINISH	MOUNTING	DRILL PATTERN	OPTIONS
TPSRD	20 20' Nominal	11 11 Gauge	BLK Black BRZ Bronze WHT White GRN Green SLV Silver GRY Grey GLV Galvanized <sup>(1)</sup> GP Galvanized/Painted <sup>(2)</sup> SP Custom Color <sup>(2)</sup> <i>Standard RAL Colors</i>	D1 Drill One Side 90D2 Drill 2 Sides at 90° 180D2 Drill 2 Sides at 180° 90D3 Drill 3 Sides at 90° 90D4 Drill 4 Sides at 90° TE238 2-3/8" OD Tenon <sup>(3)</sup> TE278 2-7/8" OD Tenon <sup>(3)</sup> TE312 3-1/2" OD Tenon <sup>(3)</sup> NO No Drilling	None (Tenon Mounting) CUST Custom (Consult Factory)	GFI GFI with die-cast aluminum cover AV Anti-vibration device AHH Additional hand-hole

**ANCHOR BOLT ORDERING INFORMATION** (order anchor bolts as a separate line item) Example: PAB136-PS

SIZE / COATING	SHIPPING
PA136 1"x36"x4" Plain	PS Pre-shipped <sup>(4)</sup>
PA136G 1"x36"x4" Galvanized	SO Shipped with pole order

(1) If you choose GALVANIZED, you must also order galvanized anchor bolts. (2) Galvanized/Painted and custom colors at extra cost, consult with your representative. (3) If you don't choose one of these tenons a pole cap will be provided. (4) Anchor bolts are available as pre-shipped. If you don't select pre-shipped, anchor bolts will be shipped with order. Pre-shipped anchor bolts are billed at time of shipping.

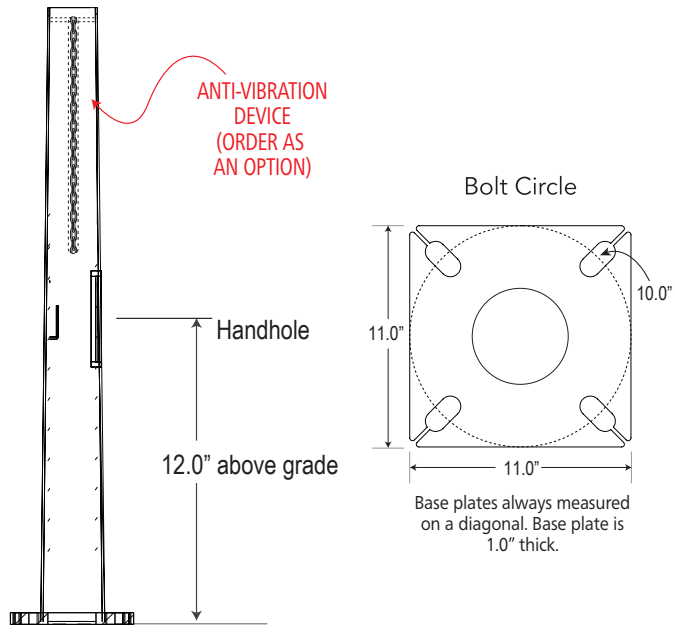


Anchor bolts include a rigid template. Order includes four (4) 1"x36"x4" anchor bolts, and 2 nuts and 2 washers per anchor bolt.

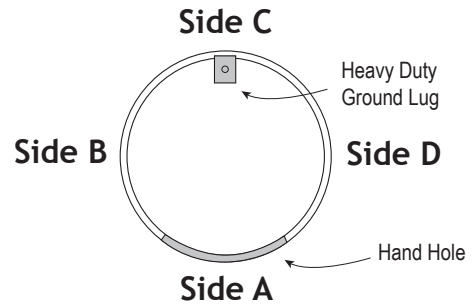
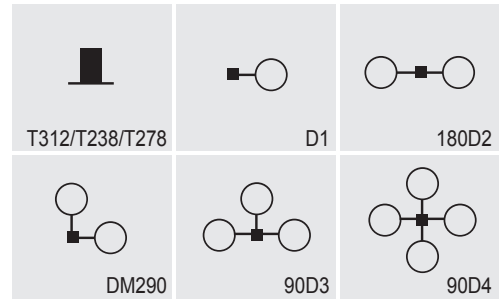


CATALOG #:
PROJECT:
TYPE:

**NOTICE:** Arms and light fixtures must be mounted before the pole is placed in position. The pole may develop harmonic distortions and fatigue (a rare occurrence) if erected without them. Failure to mount arms and fixtures will void the factory warranty.



**MOUNTING OPTIONS**



**MAX EPA (1.3 GUST, 20' POLE):**

90 MPH	26.1
100 MPH	20.4
110 MPH	16.2
120 MPH	13.0
130 MPH	10.6
140 MPH	8.7
150 MPH	7.1

Based on 11 ga.

**DRILLING LOCATIONS:**

SIDES	A	B	C	D
HAND HOLE	X			
D1	X			
90D2	X	X		
180D2		X		X
90D3	X	X		X
90D4	X	X	X	X



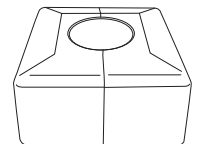
THE GFI (GROUND FAULT INTERRUPTER) COMES WITH A DIE CAST ALUMINUM IN-USE COVER. (ORDER AS AN OPTION)



**A55 GRADE ANCHOR BOLTS**

1"x36"x4" anchor bolts, and includes 2 nuts and 2 washers per anchor bolt

We recommend that you leave 4.5" of thread above the grade.



**5052 ALLOY MARINE GRADE ALUMINUM, POWDER COATED POLE BASE COVER**

\*We here at N2M are proud of our products, but our warranty will be void if certain situations arise out of control. Our pole warranty excludes pole failure resulting from misuse, incorrect installation, third-party act or omission, unanticipated use, failure or fatigue, or pole failure resulting from harmonic oscillation, induced vibration, or resonance produced by air movement around the pole. This warranty also excludes poles installed without the tenons/light heads installed beforehand. Unapproved additions to the pole such as pennants, banners, cameras, signs, drilled holes or other items for which the pole was not designed will also void the warranty immediately. This warranty also excludes poles installed with pre-existing anchorages and/or anchor bolts, or bolt adapters not supplied by N2M. Issues related to foundation or soil conditions at the installation site are also not covered by the warranty.