



CATALOG #:  
PROJECT:  
TYPE:



# SSRD20 STRAIGHT STEEL ROUND POLE DIRECT BURIAL

N2M is proud to introduce a new standard in high-quality steel lighting poles. American made steel combined with unwavering accuracy and a wide range of drilling and finish options, make N2M poles the perfect choice for your next project. Our BAA compliant poles are an obvious choice over inferior, imported options.

**CONSTRUCTION:** Our SSRDDB Direct Burial Pole is manufactured here in the U.S. from a single piece of formed steel. Featuring high strength, domestic hot rolled carbon steel and comes standard with a minimum yield strength of 50,000 PSI (which conforms to ASTM A500 grade C requirements). The easy-access hand hole is located 12" above grade. A high-quality ground lug is included standard. Caps are available.

**MOUNTING/DRILL PATTERN:** A variety of mounting and drill patterns are offered to meet the needs of various applications. Inquire with your N2M representative for custom drill patterns.

**FINISH:** A highly durable, long-lasting polyester powder coat finish is standard and can be applied in a variety of finish options. Standard colors include black, bronze, white, green, silver, grey (custom colors are available). Galvanized and painted galvanized poles are also available.

**WARRANTY: Standard:** 2-Year warranty for structural and 5-Years for finish. **Galvanized (extended warranty):** 10-Year structural warranty combined with 5-Years for the finish. Our warranty will be voided if the pole is modified or installed improperly.\*.

**QUICK FACTS:** DIAMETER: 5" HEIGHT: 20' GAUGE: 7 WEIGHT: 218lbs



## ORDERING INFORMATION Example: SSRDDB-5-20-7-BLK-90D2-STD

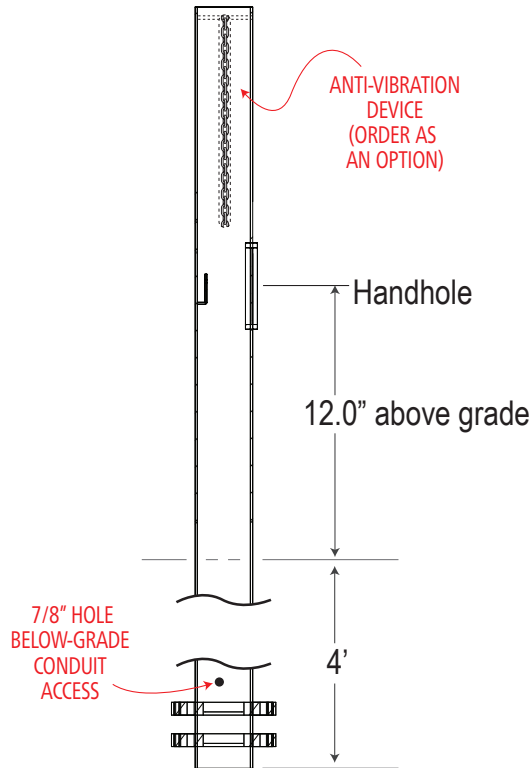
SERIES	POLE SIZE	POLE HEIGHT	POLE GAUGE	FINISH	MOUNTING	DRILL PATTERN	OPTIONS
SSRDDB	5 5" Round	20 20' Nominal <i>ABOVE Measurement is Above Grade</i> Total Length is 24'	7 7 Gauge	BLK Black BRZ Bronze WHT White GRN Green SLV Silver GRY Grey GLV Galvanized GLVP1 Galvanized/Painted <sup>(1)</sup> SP Custom Color <i>Standard RAL Colors</i>	D1 Drill One Side 90D2 Drill 2 Sides at 90° 180D2 Drill 2 Sides at 180° 90D3 Drill 3 Sides at 90° 90D4 Drill 4 Sides at 90° TE238 2-3/8" OD Tenon <sup>(2)</sup> TE278 2-7/8" OD Tenon <sup>(2)</sup> TE312 3-1/2" OD Tenon <sup>(2)</sup> NO No Drilling	None (Tenon Mounting) STD (see back for standard pattern) CUST Custom (Consult Factory)  <b>SEE BACK FOR HOLE DRILLING LOCATIONS</b>	GFI GFI with die-cast aluminum cover AV Antivibration device

**NOTICE:** Arms and light fixtures must be mounted before the pole is placed in position. The pole may develop harmonic distortions and fatigue (a rare occurrence) if erected without them. Failure to mount arms and fixtures will void the factory warranty.

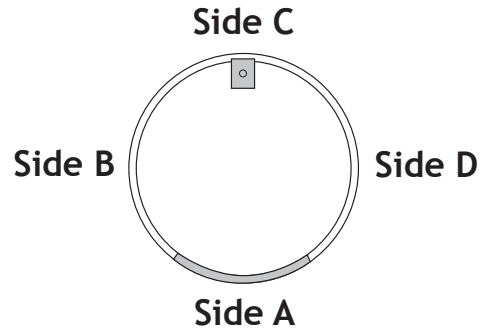
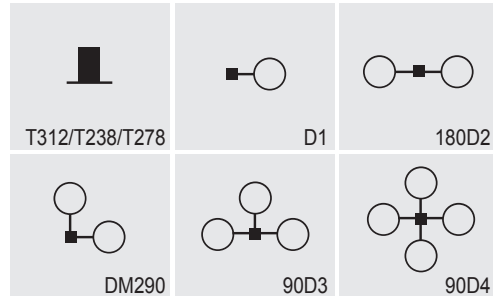
(1) Galvanized/Painted and custom colors at extra cost, consult with your representative.  
(2) If you don't choose one of the tenons, a pole cap will be provided.



CATALOG #:  
PROJECT:  
TYPE:



**MOUNTING OPTIONS**



**MAX EPA (1.3 GUST, 20' POLE):**

90 MPH	17.3
100 MPH	12.8
110 MPH	9.4
120 MPH	6.8
130 MPH	4.8
140 MPH	3.2

Based on 5x7 ga.

**DRILLING LOCATIONS:**

SIDES	A	B	C	D
HAND HOLE	X			
D1	X			
90D2	X	X		
180D2		X		X
90D3	X	X		X
90D4	X	X	X	X



THE GFI (GROUND FAULT INTERRUPTER) COMES WITH A DIE CAST ALUMINUM IN-USE COVER. (ORDER AS AN OPTION)



\*We here at N2M are proud of our products, but our warranty will be void if certain situations arise out of control. Our pole warranty excludes pole failure resulting from misuse, incorrect installation, third-party act or omission, unanticipated use, failure or fatigue, or pole failure resulting from harmonic oscillation, induced vibration, or resonance produced by air movement around the pole. This warranty also excludes poles installed without the tenons/light heads installed beforehand. Unapproved additions to the pole such as pennants, banners, cameras, signs, drilled holes or other items for which the pole was not designed will also void the warranty immediately. This warranty also excludes poles installed with pre-existing anchorages and/or anchor bolts, or bolt adapters not supplied by N2M. Issues related to foundation or soil conditions at the installation site are also not covered by the warranty.