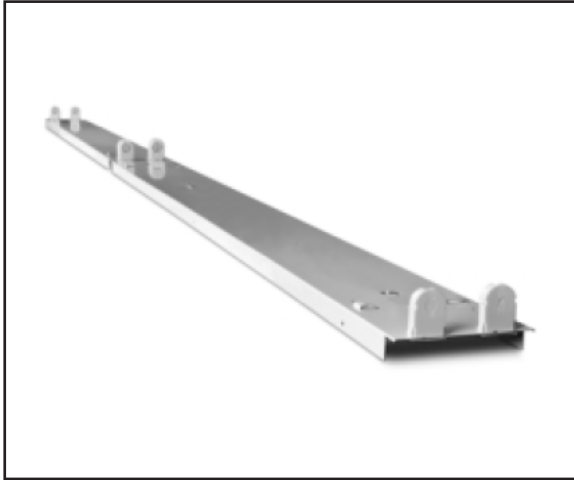


Catalog Number
Project
Type

## SRL

Strip Retrofit Kit Wired *For* or *With* LED Tubes



### PRODUCT SPECIFICATIONS

#### DESCRIPTION

The SRL Series is a Strip Retrofit Kit Wired For or With LED Tubes that is designed to modify existing fixtures to higher efficiency lamping options. It is designed to save time and energy to upgrade fixtures rather than replacing them.

#### APPLICATIONS

The SRL Series of Strip Retrofit Kits Wired For or With LED Tubes were designed to be high quality, energy efficient fixtures for use in commercial applications, offices, government facilities, schools, and public areas.

#### CONSTRUCTION

The fixture is constructed of aluminum components. Designed to retrofit into any existing 4' or 8' strip. Designed for a standard 4.25" wide strip. 5" wide strip option available (see Options).

#### OPTICAL SYSTEM

White polyester polymer finish with a minimum 93% reflectivity.

#### ELECTRICAL SYSTEM

120-277V applications.

#### MOUNTING

The fixture can be retrofit into a strip that is surface or suspension mounted.

#### LISTINGS

UL and cUL Listed. Damp location rated.

#### WARRANTY

5-Year Limited Warranty. Complete warranty and terms located at [www.aelnow.com/resources](http://www.aelnow.com/resources).

### ORDERING INFORMATION

Wired For Tubes Example: SRL232LED

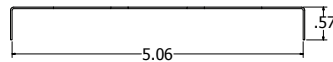
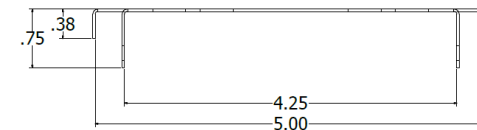
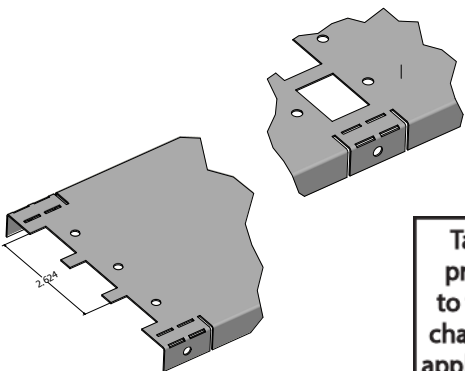
Wired With Tubes Included Example: SRLT232WT18W40

SERIES	Number of Lamps	LAMP REPLACEMENT	WIRE APPLICATION	LED	WT WATTAGE OPTIONS	WT COLOR TEMP OPTIONS	OPTIONS
SRL 4'	1	17 17 Watt T8 Lamp Replacement	BLANK Single Ended Wiring*	LED LED Lamps*	10W 10 Watt (available in 24" or 36")	35 3500K	OC4EX Occupancy Sensor
SRLT 8'	2	25 25 Watt T8 Lamp Replacement 32 32 Watt T8 Lamp Replacement XX Specified Lamp Replacement	DE Double Ended Wiring**	WT With tubes included	12W 12 Watt (available in 48") 15W 15 Watt (available in 36" or 48") 18W 18 Watt (available in 48") 20W 20 Watt (available in 48")	40 4000K 50 5000K	WH44 Wiring Harness 4-wire 4' WH84 Wiring Harness 4-wire 8' UNV Universal Mount 4 1/4" and/or 5"

### FIXTURE DIMENSIONS

\*Non-Shunted sockets wired at one end (BLANK)

\*\*Shunted sockets wired with white, opposite end wired with black (DE)



Tabs to be bent in field on pre-fabricated perforations to fit 4.25" or 5" existing strip channels can be used for an 8' application or 8' units available.

