



CATALOG #:
PROJECT:
TYPE:

## MEQ RECESSED SURGICAL ROOM LED



Our **MEQ** is an IP65, IC-rated luminaire which provides a cost-effective LED surgical room lighting solution with rounded profile lens. Gasketed housing and door frame create a sealed enclosure. The MEQ is available in 1X4, 2x2 and 2x4 sizes. Available options such as anti-microbial paint, 90 CRI, and 14W emergency driver. Suitable for ISO 5 application. This fixture was designed for surgical rooms, healthcare facilities, cleanrooms, and any insulated ceilings.

**DOORFRAME:** Inset door frame constructed of .063" aluminum. White TGIC polyester powder coat standard, with optional anti-microbial white paint. Closed-cell gasket completely seals the doorframe and the housing.

**ELECTRICAL SYSTEM:** Electronic driver 0-10V 1% dimming standard. Long-life LED system rated for >100K hours (L70 @ 25°C). Complies with federal energy efficiency standards.

**OPTICAL SYSTEM:** Extruded high-efficiency frosted DR acrylic inner diffuser. Available with either a rounded or square center lens.

**MOUNTING:** Recessed grid mounting.

**HOUSING:** Available in 20 gauge cold roll steel or .063" aluminum. If options needed are not listed, consult factory. Seam-welded construction. Closed cell neoprene gasket seals doorframe to housing. White TGIC polyester powder coat standard. Antimicrobial paint optional.

**LED:** 80 CRI or 90 CRI LEDs available in 2700K, 3000K, 3500K, 4000K and 5000K. Life is 100,000 hours at 70% lumen maintenance. LM79, LM80 and TM21 compliant.

**LISTINGS:** ETL listed. Food Safe, NSF compliant. IP65 rating. ISO 5 certified. BAA and BABA compliant.

**WARRANTY:** 5-Year Limited Warranty. Complete warranty and terms located at [www.aelnow.com/warranty](http://www.aelnow.com/warranty).

Ordering Information on Next Page

## ORDERING INFORMATION:

Example: MEQ-24-40-11L-ALH-S-M-CD5-1

SERIES	SIZE	CCT	ILLUMINATION LEVEL	HOUSING	INSET DOOR FRAME	OUTER LENS
MEQ	14 1X4	27 2700K	4L 4000 Lumens (Standard Low)	B20 20 Gauge Cold Roll Steel	ALHINS .063" Aluminum Doorframe (Painted)	187P .187" Clear Polycarbonate
	22 2X2	30 3000K	7L 7000 Lumens (Medium Low)	B18 18 Gauge Cold Roll Steel		250P .250" Clear Polycarbonate
	24 2X4	35 3500K	11L 11000 Lumens (High Low)	SH18 18 Gauge Stainless Steel (Polished 304)		375P .375" Clear Polycarbonate
		40 4000K	12L 12000 Lumens (Standard Medium)	SH186 18 Gauge Stainless Steel (Polished 316)		
	50 5000K	13L 13000 Lumens (Medium Medium)	SHP18 18 Gauge Stainless Steel (Painted 304)			
	ATTW Tunable White	15L 15000 Lumens (High Medium)	SHP186 18 Gauge Stainless Steel (Painted 316)			
		17L 17000 Lumens (High)	SHB18 18 Gauge Stainless Steel (Brushed 304)			
		20L 20000 Lumens (Medium High)	SHB186 18 Gauge Stainless Steel (Brushed 316)			
		25L 25000 Lumens (High High)	ALH .063" Aluminum (Painted)			
		XX Custom Lumens				

LENS PROFILE	DIFFUSER	VOLTAGE	DRIVER OPTIONS	CIRCUITS	OPTIONS
RND Round	FA Frosted Acrylic	M Multi-Volt (120-277VAC)	BLANK 0-10V Dimming Driver (included standard)	1 1 Circuit	14EBL 14 Watt Emergency Ballast
SQ Square			HV 347-480VAC	CD5 0-10V 5% to Off Dimming Driver	2 2 Circuits
			EDN Electronic Driver Non-Dimming		AM Anti-Microbial White Paint
			DALI 1% Dali Dimming Driver		VDO Lutron Vive Integral Fixture Control (RF with Daylight and Occupancy Sensing)
			LDE1 Lutron Hi-lume 1% EcoSystem LED driver with Soft-on, Fade-to-Black dimming technology		CPOL Clear .125 Polycarbonate Outer Lens
			2TW1 2 Channel 0-10v Tunable White 1% Dimming Driver*		
			2TWCS 2 Channel 0-10v Tunable White Dimming Driver Compatible with Casambi**		

\*Prewired with Tunable White LED boards and (2) 0-10v drivers installed  
 \*\*Prewired with Tunable White LED boards and Casambi ready fixture control

*Other options and configurations are available. Consult factory for details.*

Dimensions on Next Page 

### ENERGY AND PERFORMANCE DATA

INPUT VOLTAGE:	120/277VAC
SYSTEM INPUT POWER:	36 - 93.5 WATTS*
DELIVERED LUMEN OUTPUT:	4000 - 25000 LUMENS
STANDARD DIMMING CONTROL:	0-10V
CCT:	2700, 3000, 3500, 4000, 5000 KELVIN
CRI:	82 (MINIMUM)
LIFE TIME RATING:	>100,000 HRS @ L70
INPUT FREQUENCY:	50/60 HZ
POWER FACTOR:	>0.9
OPERATING TEMP:	-30° TO 50° C

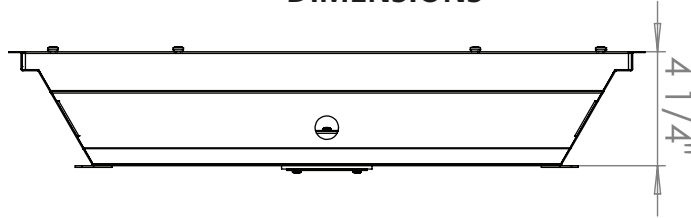
APPROXIMATE COLOR TEMPERATURE MULTIPLIER
5000K X 1.03
4000K X 1
3500K X .97
3000K X .94
2700K X .91

OUTPUT	DELIVERED LUMENS	WATTAGE	L70 @45C (HRS)
5L	5000	36	>100K
7L	7000	50.3	>100K
9L	9000	64.7	>100K
11L	11000	79.1	>100K
13L	13000	93.5	>100K

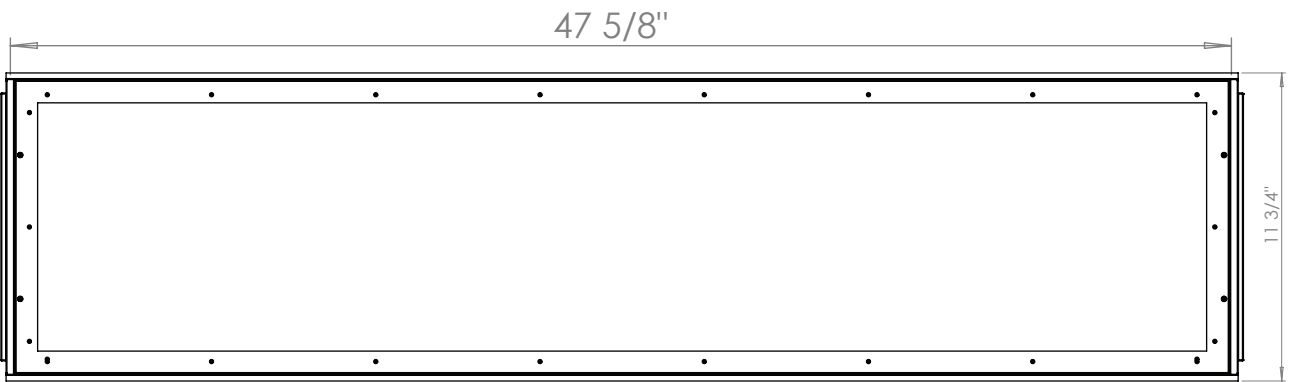
\*ACTUAL WATTAGE MAY DIFFER BY ±5% WHILE OPERATING 120/277V ±10%

**DIMENSIONS**

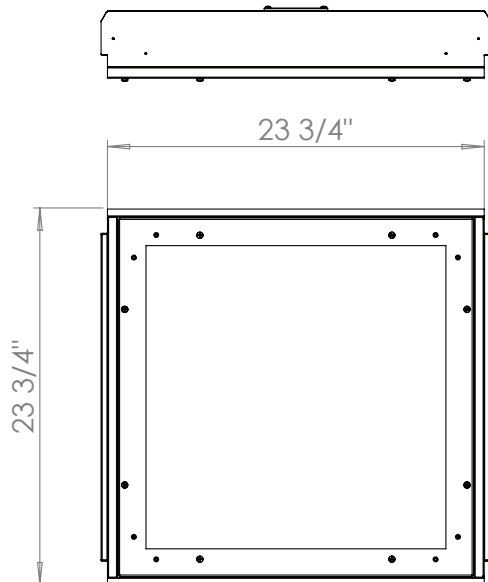
PROFILE



1X4



2X2



2X4

