



CATALOG #:
PROJECT:
TYPE:

MEOSS LED SURGICAL SUITE DOWNLIGHT



The **MEOSS** is a general illumination surgical suite downlight.

ELECTRICAL SYSTEM: Integrated 120/277V LED driver, 0-10v dimming standard. Integral EMI filter with option EMI and option MIL. LED system rated for >50K lifehours (L70 @ 75°C).

OPTICAL SYSTEM: Diffuser completely diffuses the view of the LEDs, while providing a 110° FWHM beam angle. Clear outer tempered glass lens of desired thickness. RF acrylic diffusing lens included with MIL STD 461G compliance option.

LISTINGS: Independently tested to IESNA LM-79 and LM-80 specifications. UL Listed. IP65 with wet location option. MIL STD 461G Compliance with MIL option. Made in America, BAA Compliant.

HOUSING: .063" aluminum housing, available in 6" aperture. Adjustable mounting brackets. Construction from non-ferrous material.

APPLICATION: Designed for surgical suites where MIL STD 461G compliance is required, and general hospital illumination where EMI filtering is not required.

FINISH: White powder-coat finish, anti-microbial paint optional.

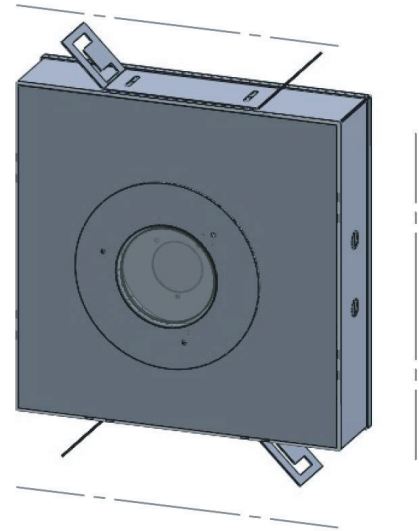
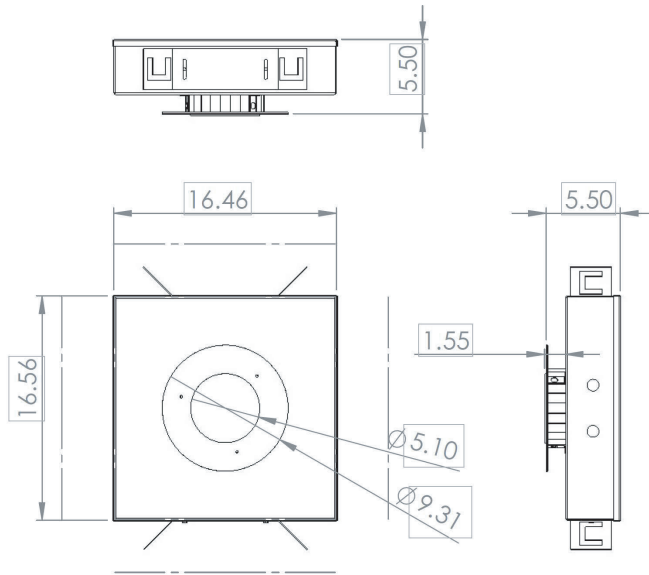
WARRANTY: 5-Year Limited Warranty. Complete warranty and terms located at www.aelnow.com/warranty

Ordering Example: MEOSS-30-S-F-125P-M-EMI

SERIES	CCT	OUTPUT	LENS	VOLTAGE	OPTIONS
MEOSS	30 3000K 35 3500K 40 4000K 50 5000K	1 1000 lm/ 8W (S) 25 2500 lm/ 20W (M) 35 3500 lm/ 30W (H) 43 4300 lm/ 37W (VH)	SY Symmetric Diffused DR Acrylic A125 .125" Clear Acrylic 125P .125 Clear Polycarbonate 187P .187 Clear Polycarbonate 250P .250 Clear Polycarbonate G125 .125 Clear Tempered Glass G187 .187 Clear Tempered Glass G250 .250 Clear Tempered Glass	M Multi-Volt (120-277V)	F Fuse TH Torx Head Screws With Center Pins AM Anti-Microbial White Paint WL Wet Location, IP65 Rated MIL MIL STD 461G Compliant 90 90 CRI 14EBL 14W LED Emergency Battery Backup EMTS Emergency Test Switch

MEOSS LED SURGICAL SUITE DOWNLIGHT

FIXTURE DIMENSIONS



LED SYSTEM DATA

OUTPUT	DELIVERED LUMENS PER FOOT	SYSTEM WATTAGE
S	800lm	6.15W
M	1600lm	12.5W
HL	2500lm	20W
VH	4000lm	33.6W