

MEO

LED MRI
LUMINAIRE



The **MEO** LED features innovative optical technology which provides powerful, focused illumination for examinations. Its exemplary design provides excellent vertical illumination as well as glare-free illumination for both the medical professional and patient. Best used in medical facilities such as MRI rooms, Surgical Suites, Laboratories, Behavioral Health Facilities, Patient rooms, etc.

NEW!: HOUSING IS NOW JUST 4" DEEP IN ORDER TO FIT INTO MORE CEILING SPACES.

HOUSING: .063" Aluminum (standard) sealed and enclosed housing, available in 5" aperture, with .080 aluminum trim standard.

FINISH: White powder-coat finish, anti-microbial paint optional.

ELECTRICAL SYSTEM: Remote mounted 1% dimming power supply, ordered by a separate part number. The LED system is rated for >50K lifehours (L70 @ 75°C). **A RF/EMI filter is required, and we recommend our NEW MRIFX filter panel (see pages 4-5).**

OPTICAL SYSTEM: Diffuser completely diffuses the view of the LEDs, while providing a 110° FWHM beam angle. Choose from several clear, outer tempered glass lens or acrylic lens options.

LISTINGS: Independently tested to IESNA LM-79 and LM-80 specifications. ETL Listed. IP65 with wet location option. BAA and BABA compliant.

WARRANTY: 5-Year Limited Warranty. Complete warranty and terms located at www.aelnow.com/warranty

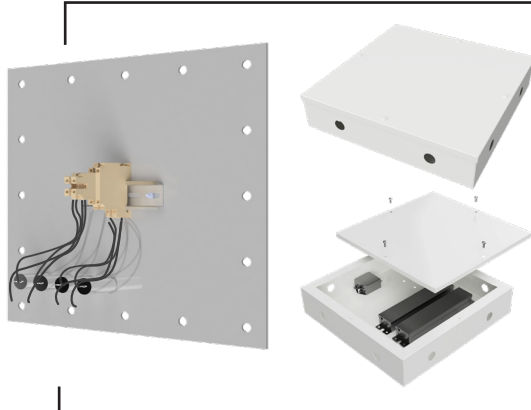
Ordering Information on Next Page ►

Ordering Example: MEO-40-25-G250-M-F-W

SERIES	CCT	OUTPUT	OUTER LENS	VOLTAGE	OPTIONS
MEO	30 3000K 35 3500K 40 4000K 50 5000K	1K 1000 lm/ 8W 25K 2500 lm/ 20W 35K 3500 lm/ 30W 43K 4300 lm/ 37W	SY Symmetric Diffused DR Acrylic A125 .125" Clear Acrylic 125P .125 Clear Polycarbonate 187P .187 Clear Polycarbonate 250P .250 Clear Polycarbonate G125 .125 Clear Tempered Glass G187 .187 Clear Tempered Glass G250 .250 Clear Tempered Glass	M Multi-Volt (120-277V)	F Fuse TH T25 Torx Head Screws With Center Pins AM Anti-Microbial White Paint WL Wet Location

FACEPLATE FINISH

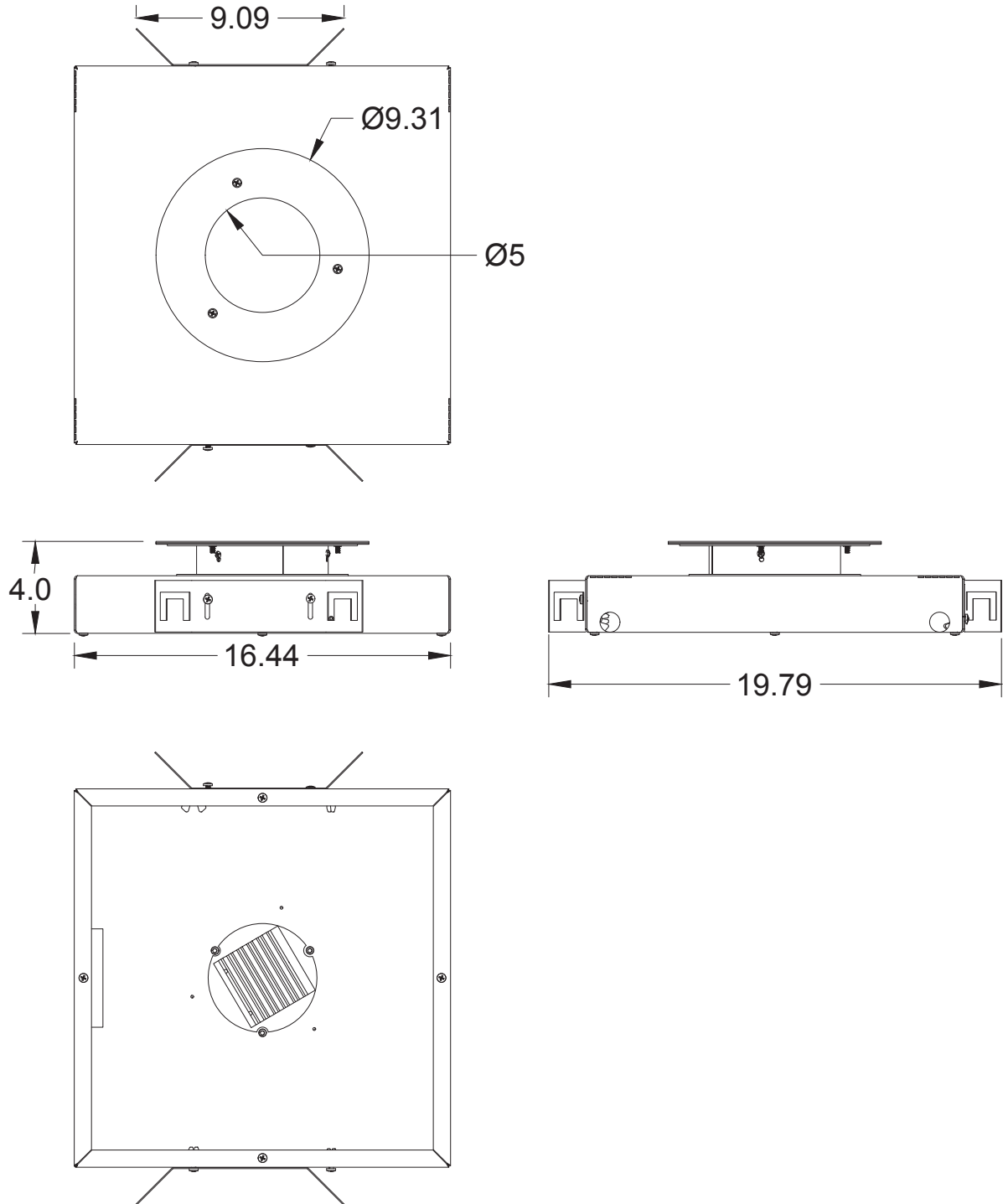
W	Gloss White
MW	Matte White
BRZ	Bronze
N	Nickel
SP	Special



NEW RF/EMI SOLUTION FOR MRI SUITES AND OUR REMOTE POWER BOX OPTIONS CAN BE FOUND ON PAGES 4-7

Dimensions on Next Page

FIXTURE DIMENSIONS



RPB REMOTE POWER BOX



NEW RF/EMI SOLUTION FOR MRI SUITES



SEE THE FOLLOWING PAGES
FOR OUR NEW MRIFX
RF/EMI FILTER PANEL

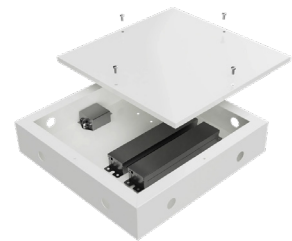
Electronic remote power supply provides power from outside the shielded MRI room, within the remote power supply enclosure.

MOUNTING INSTRUCTIONS

1. Mount the remote mounted power supply outside the MRI room.
2. Each driver will have an individual quick-connect for ease of wiring.
3. Ensure that all power/dimming wiring is completely shielded in grounded conduit. Use a minimum of 18 AWG low voltage supply wire.
4. Connect wiring to the driver and run to the installed fixtures. Connect hot and neutral wires to the light fixtures quick connects.
5. Installation is complete.

Ordering Information

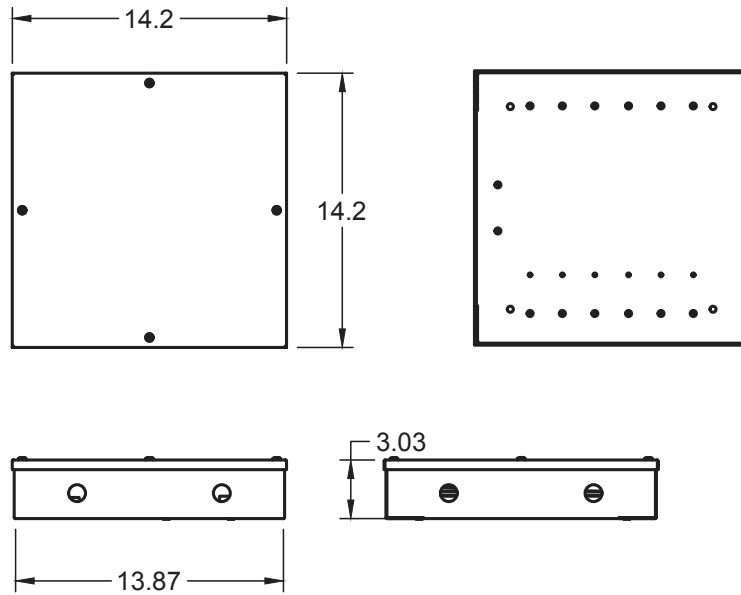
SERIES	HOUSING SIZE	# OF DRIVERS	OPTIONS
RPB	6 Fits up to 6 drivers 9 Fits up to 9 drivers	D1 1 LED 1% Dimming Drivers D2 2 LED 1% Dimming Drivers D3 3 LED 1% Dimming Drivers D4 4 LED 1% Dimming Drivers D5 5 LED 1% Dimming Drivers D6 6 LED 1% Dimming Drivers D7 7 LED 1% Dimming Drivers D8 8 LED 1% Dimming Drivers D9 9 LED 1% Dimming Drivers	AM Anti-Microbial White Paint



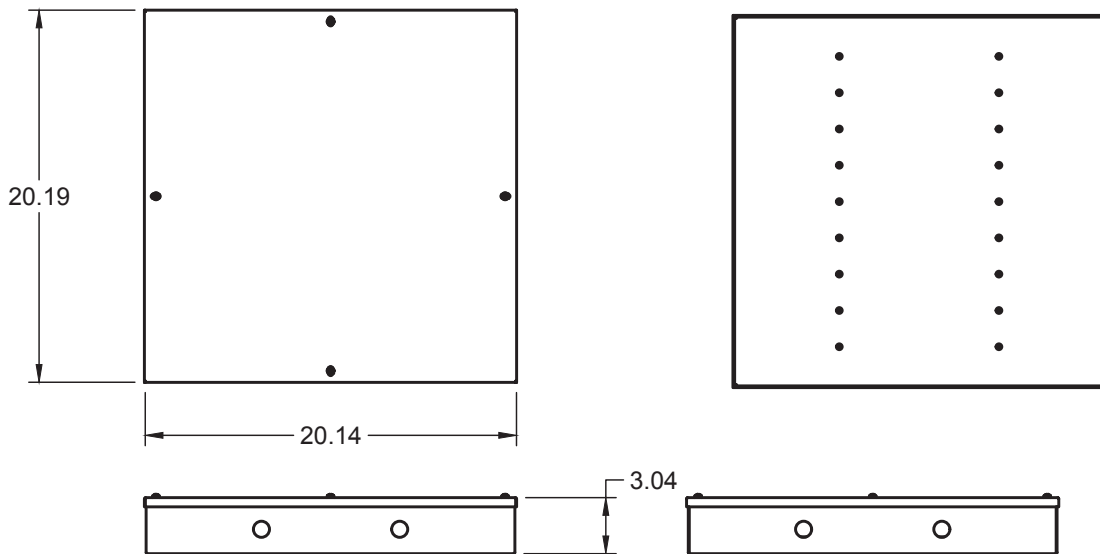
IMPORTANT: EACH FIXTURE REQUIRES IT'S OWN DRIVER

Dimensions on following page

RPB-6



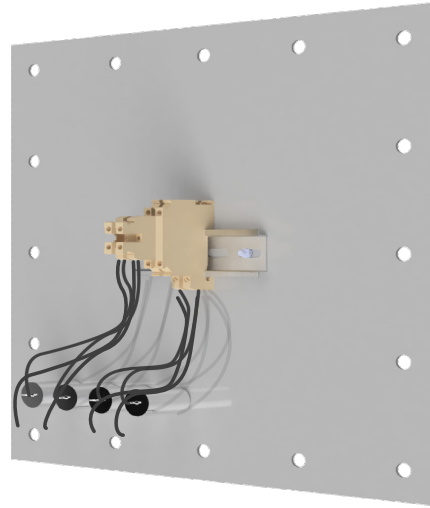
RPB-9



Sample wiring diagrams on following pages

MRI ROOM FILTER PANEL

MRIFX

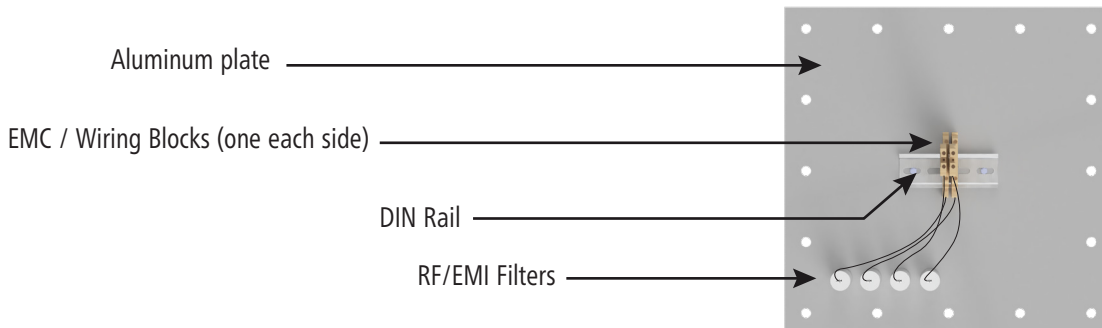


The **MRIFX** is our RF/EMI Power filter solution for MRI suites. With this panel installation of a completed MRI suite is completed in less time and is more organized. This filter panel can be configured with 2 to 32 filters (**each light fixture requires 2 filters**), and installation is easy and straight-forward. This panel is mounted to the wall between the power supplies (see our RPB, next page) and the non-ferrous light fixtures in the MRI suite. The RF/EMI Power Filters available with the MRIFX are some of the highest quality filters available, and are specifically designed to eliminate RF/EMI emissions.

FILTER PANEL: Made from non-ferrous, marine grade aluminum and coated with a premium powder coat, this plate is an integral component designed for many years of use. This plate can accommodate up to 32 RFI filters (for up to 16 light fixtures). A standard DIN rail keeps wiring EMC blocks secure and in place. Custom sized plates are available (consult with factory). The EMC Wiring Blocks (one of each side of panel) are designed to minimize Electromagnetic Interference (EMI) and maintain Electromagnetic Compatibility (EMC).

WIRING: Specially made shielded wiring is utilized to help insure RF/EMI transmissions are negligible.

WARRANTY: 5-Year Limited Warranty. Complete warranty and terms located at www.aelnow.com/warranty.



Ordering Information on Next Page

ORDERING INFORMATION Example: MRIFX-04

SERIES	FILTERS
MRIFX	02 Panel with 2 filters for 1 fixture
	04 Panel with 4 filters for 2 fixtures
	06 Panel with 6 filters for 3 fixtures
	08 Panel with 8 filters for 4 fixtures
	10 Panel with 10 filters for 5 fixtures
	12 Panel with 12 filters for 6 fixtures
	14 Panel with 14 filters for 7 fixtures
	16 Panel with 16 filters for 8 fixtures
	18 Panel with 18 filters for 9 fixtures
	20 Panel with 20 filters for 10 fixtures
	22 Panel with 22 filters for 11 fixtures
	24 Panel with 24 filters for 12 fixtures
	26 Panel with 26 filters for 13 fixtures
	28 Panel with 28 filters for 14 fixtures
	30 Panel with 30 filters for 15 fixtures
	32 Panel with 32 filters for 16 fixtures

STAND-ALONE FILTER ORDERING

SERIES	FILTERS
MRIFX	F2 Set of 2 filters for 1 fixture
	F4 Set of 4 filters for 2 fixtures
	F6 Set of 6 filters for 3 fixtures
	F8 Set of 8 filters for 4 fixtures
	F10 Set of 10 filters for 5 fixtures
	F12 Set of 12 filters for 6 fixtures
	F14 Set of 14 filters for 7 fixtures
	F16 Set of 16 filters for 8 fixtures
	F18 Set of 18 filters for 9 fixtures

DIMENSIONS

