



CATALOG #:

PROJECT:

TYPE:

MEB RECESSED GRID LED SURGICAL SUITE



The **MEB** is a complete lighting solution for the operating room. High transmission and diffusion lens with choice of symmetric, asymmetric/symmetric, and full asymmetric light distribution to accommodate the lighting needs of surgical suites. Available in 1x4, 2x2, and 2x4 sizes (custom sizes available). Fixtures such as this are typically installed around the perimeter of the operating room. Available in a variety of housing and doorframe materials and a MIL STD 461G compliant option, the MEB is the ultimate choice for lighting of an operating room surgical suite. This fixture comes standard with an Anti-Microbial finish.

ELECTRICAL SYSTEM: Electronic driver 0-10V, 1% dimming standard. Long-life LED system rated for >100K hours (L70 @ 25°C). Complies with federal energy efficiency standards.

OPTICAL SYSTEM: High transmission diffused DR acrylic lens. Internal reflector with choice of full symmetric, asymmetric/symmetric, or full asymmetric light distribution maintains a uniform appearance while being engineered specifically for surgical suite applications.

LENS: High transmission diffused DR acrylic lens. Internal reflector with choice of full symmetric, asymmetric/symmetric, or full asymmetric light diffusion maintains a uniform appearance while being engineered specifically for surgical suite applications. RF grid lens included when MIL STD 461G Compliance option is ordered.

HOUSING: Choice of heavy gauge cold roll steel, stainless steel, or aluminum (5052 Alloy Marine-Grade), but comes standard with 20-gauge CRS. All doors attached to the housing with two stainless steel aircraft cables. Stainless steel Philips head screws secure door frame to housing. Anti-Microbial finish is standard. Salt spray test >1,000 hours. Reflectance of 92%.

DOORFRAME: Choice of heavy gauge cold roll steel, stainless steel, or aluminum (standard with 20-gauge CRS). Internal reflectors offer a high-performance reflectance of 92%. Doorframe secured to housing with stainless steel aircraft cables and captive flush mounted Phillips head stainless steel fasteners. Anti-microbial finish is standard. **DOORFRAME GASKET:** Gasket seals doorframe to housing.

MOUNTING: Designed for flange or grid applications. Easy installation with adjustable 90° swing arm system standard.

LISTINGS: ETL Listed. MIL option complies with MIL-STD-461G conducted emissions regulation and includes a radio suppression grid lens. Suitable for FED-STD-209E.

LED: 80 CRI or 90 CRI LEDs available in 2700K, 3000K, 3500K, 4000K and 5000K. Life is >100,000 hours at 70% lumen maintenance.

WARRANTY: 5-Year Limited Warranty. Complete warranty and terms located at www.aelnow.com/warranty.

Ordering Information on Next Page ►

ORDERING INFORMATION Example: MEB-F-22-40-12K-B20-B18-INS-A19-SY-M-1

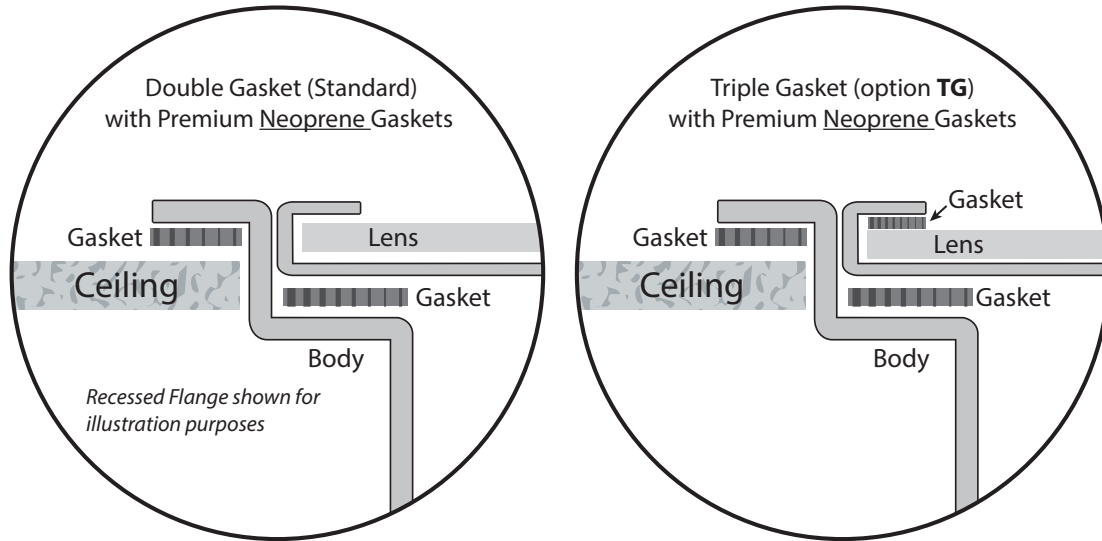
SERIES	SIZE	CCT	ILLUMINATION	MOUNTING	HOUSING	DOOR FRAME
MEB	12 1x2	27 2700K	<p>4L 4000 Lumens 7L 7000 Lumens 9L 9000 Lumens 11L 11000 Lumens 12L 12000 Lumens 13L 13000 Lumens 15L 15000 Lumens 16L 16000 Lumens 20L 20000 Lumens 25L 25000 Lumens XX Custom Lumens</p> <p>WG1 1400 Lumens Green, 3600 Lumens White WG2 1400 Lumens Green, 6700 Lumens White WG3 3200 Lumens Green, 7700 Lumens White WG4 3200 Lumens Green, 14700 Lumens White</p> <p>G42 42W Green LED G84 84W Green LED G120 120W Green LED</p>	G Grid F Flange	B20 20 Gauge Cold Roll Steel	B18 18 Gauge Cold Roll Steel SH18 18 Gauge Stainless Steel (Polished 304) SH186 18 Gauge Stainless Steel (Polished 316) SHP18 18 Gauge Stainless Steel (Painted 304) SHP186 18 Gauge Stainless Steel (Painted 316) SHB18 18 Gauge Stainless Steel (Brushed 304) SHB186 18 Gauge Stainless Steel (Brushed 316) ALH .063" Aluminum (Painted)
	14 1x4	30 3000K			B18 18 Gauge Cold Roll Steel	
	22 2x2	35 3500K			SH18 18 Gauge Stainless Steel (Polished 304)	
	24 2x4	40 4000K			SH186 18 Gauge Stainless Steel (Polished 316)	
		50 5000K			SHP18 18 Gauge Stainless Steel (Painted 304)	
					SHP186 18 Gauge Stainless Steel (Painted 316)	
					SHB18 18 Gauge Stainless Steel (Brushed 304)	
					SHB186 18 Gauge Stainless Steel (Brushed 316)	
					ALH .063" Aluminum (Painted)	

DOOR TYPE	LENS	DISTRIBUTION	VOLTAGE	DRIVER	CIRCUITS	OPTIONS
INS Inset Door OVL Overlap Door	A19 .156" Prismatic Acrylic #19 PA125 .125 Prismatic Acrylic PA156 .156 Prismatic Acrylic PA187 .187 Prismatic Acrylic PP125 Prismatic Inner with .125 Clear Outer Polycarbonate SY Symmetric Diffused DR Acrylic	SY Full Symmetric ASSY Asymmetric/Symmetric FAS Full Asymmetric	M Multi-Volt (120-277VAC) UNV 120V HV 347-480VAC	BLANK 0-10V 1% Dimming Driver (included standard) CD5 0-10V 5% to Off Dimming Driver EDN Electronic Driver Non-Dimming DALI 1% Dali Dimming Driver LDE1 Lutron Hi-lume 1% EcoSystem LED driver with Soft-on, Fade-to-Black dimming technology	1 1 Circuit 2 2 Circuits	14EBL 14 Watt Emergency Driver TG Triple Gasket (field installed) MIL1 MILSTD 461G compliant, 1 circuit MIL2 MILSTD 461G compliant, 2 circuit 90 90 CRI CR Continuous run VDO Lutron Vive Integral Fixture Control (RF with Daylight and Occupancy Sensing) FB Internal Fast-Blow Fuse SB Internal Slow-Blow Fuse SP 10KV/KA Surge Protector TP Tamper-Proof Fasteners 2G 2" High T-Grid Mounting RFIL RFI Lens RFIF1 RFI Filter, 1 circuit RFIF2 RFI Filter, 2 circuits WL-65 Wet Location (IP-65 / ISO-3) CP Chicago Plenum

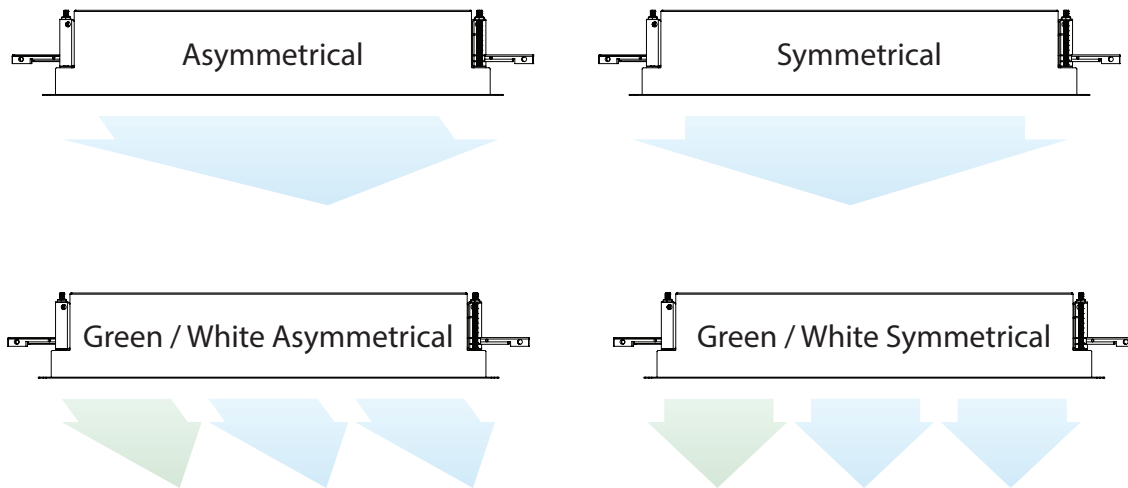
Other options and configurations are available. Consult factory for details.

Dimensions on Next Page

Gasketing Details



Light Distribution Illustrations



Dimensions on Next Page

ENERGY AND PERFORMANCE DATA

INPUT VOLTAGE:	120/277VAC
SYSTEM INPUT POWER:	25.0 - 156.3 WATTS*
DELIVERED LUMEN OUTPUT:	4000 - 25000 LUMENS
STANDARD DIMMING CONTROL:	0-10V
CCT:	3000, 3500, 4000, 5000 KELVIN
CRI:	82 (MINIMUM)
LIFE TIME RATING:	>100,000 HRS @ L70
INPUT FREQUENCY:	50/60 HZ
POWER FACTOR:	>0.9
OPERATING TEMP:	-30° TO 50° C

APPROXIMATE COLOR TEMPERATURE MULTIPLIER

5000K	X	1.03
4000K	X	1
3500K	X	.97
3000K	X	.94
2700K	X	.91

OUTPUT	DELIVERED LUMENS	WATTS	L70 @20C (HRS)
4L	4000 LUMENS	25.0	>100K
7L	7000 LUMENS	43.8	>100K
11L	11000 LUMENS	68.8	>100K
12L	12000 LUMENS	75.0	>100K
13L	13000 LUMENS	81.3	>100K
15L	15000 LUMENS	93.8	>100K
16L	16000 LUMENS	100.0	>100K
20L	20000 LUMENS	125.0	>100K
25L	25000 LUMENS	156.3	>100K

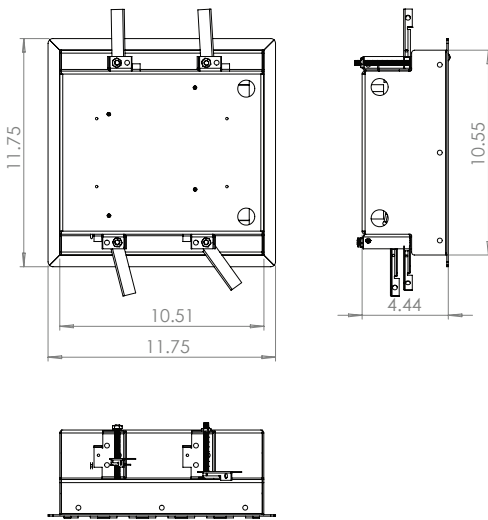
*ACTUAL WATTAGE MAY DIFFER BY ±5% WHILE OPERATING 120/277V ±10%



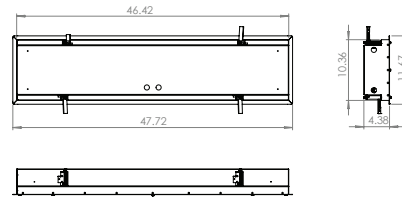
ROUGH IN SIZE LISTED BELOW.
Please pay careful attention to these dimensions.

DIMENSIONS

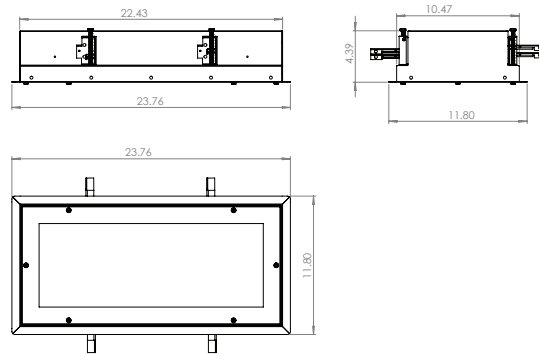
1x1
ROUGH IN SIZE TO BE 10 13/16" X 10 3/4"



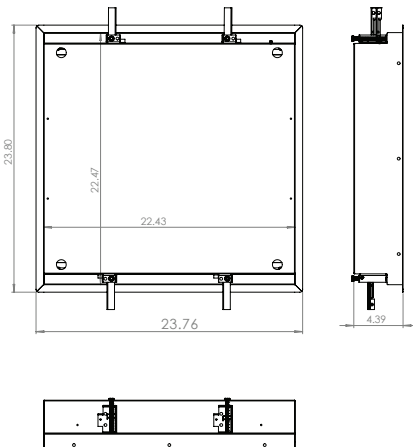
1x4
ROUGH IN SIZE TO BE 46 11/16" X 10 5/8"



1x2
ROUGH IN SIZE TO BE 22 11/16" X 10 5/8"



2x2
ROUGH IN SIZE TO BE 22 5/8" X 22 5/8"



2x4
ROUGH IN SIZE TO BE 46 5/8" X 22 11/16"

