

MEA RECESSED PATIENT ROOM LED



DESCRIPTION: OUR MEA offers both exam, ambient, and reading lights in one fixture. The MEA LED features innovative optical technology which provides powerful, focused illumination for examinations. Its exemplary design directs the light onto the bed and provides glare-free illumination for both the medical professional and patient. This ergonomical styled design helps bring a relaxed, comfortable feel to any patient room.

ELECTRICAL SYSTEM: Electronic driver 0-10V, 1% dimming standard. Long-life LED system rated for >100K hours (L70 @ 25°C). Complies with federal energy efficiency standards. Exam, ambient, and reading come standard.

OPTICAL SYSTEM: Exam: Linear, Extruded Satin side lenses. 0.100" thick on ends; prisms are located on the inside for easy cleaning. Ambient: Extruded Satin, 0.100" thick.

LISTINGS: eTL Listed, damp location rated. Wet location optional. Designed and manufactured in the USA.

HOUSING: 20 gauge steel or .063" aluminum housing, electro-statically applied powder coated matte white finish. Optional anti-microbial white finish, and standard with white screws.

INSET DOORFRAME AND GASKET: Inset doorframe comes with a one-piece closed-cell neoprene gasket.

MOUNTING: Recessed grid and recessed flanged applications. Easy installation with adjustable 90° swing arm system standard. Universal mounting allows for both recessed flanged and recessed grid mounting.

LED: Ambient, Exam, and Reading LEDs are available in 2700K, 3000K, 3500K, 4000K and 5000K with CRI > 82. Projected life is >120,000 hours at 70% lumen maintenance for ambient and exam LEDs. Projected life is >100,000 at 70% lumen maintenance for reading LEDs. 90 CRI available.

WARRANTY: 5-Year Limited Warranty. Complete warranty and terms located at www.aelnow.com/warranty

Ordering Information on Next Page ►

ORDERING INFORMATION

Example: MEA-22-30-8L-8L-27-R2-B20-B20INS-156P-M

SERIES	SIZE	AMBIENT CCT	AMBIENT ILLUMINATION	EXAM CCT	EXAM ILLUMINATION	READING CCT
MEA	22 2x2	27 2700K	4L 4000 Lumens (Standard Low)	27 2700K	4L 4000 Lumens (Standard Low)	BLANK NONE
	24 2x4	30 3000K	8L 7000 Lumens (Medium Low)	30 3000K	8L 7000 Lumens (Medium Low)	27 2700K
		35 3500K	11L 11000 Lumens (High Low)	35 3500K	11L 11000 Lumens (High Low)	30 3000K
		40 4000K	12L 12000 Lumens (Standard Medium)	40 4000K	12L 12000 Lumens (Standard Medium)	35 3500K
		50 5000K	13L 13000 Lumens (Medium Medium)	50 5000K	13L 13000 Lumens (Medium Medium)	40 4000K
			XX Custom Lumens	XX Custom Lumens		50 5000K

READING OUTPUT	MOUNTING	HOUSING	DOOR FRAME	DOOR FRAME TYPE
BLANK None	G Grid	B20 20 Gauge Cold Roll Steel (Painted)	B18 18 Gauge Cold Roll Steel	INS Inset Door
R1 Reading 1550 Lumens (Standard)	F Flange	SH18 18 Gauge Stainless Steel (Polished 304)	SH18 18 Gauge Stainless Steel (Polished 304)	OVL Overlap Door
R2 Reading 2250 Lumens (Medium)		SH186 18 Gauge Stainless Steel (Polished 316)	SH186 18 Gauge Stainless Steel (Polished 316)	
R3 Reading 2900 Lumens (High)		SHP18 18 Gauge Stainless Steel (Painted 304)	SHP18 18 Gauge Stainless Steel (Painted 304)	
		SHP186 18 Gauge Stainless Steel (Painted 316)	SHP186 18 Gauge Stainless Steel (Painted 316)	
		SHB18 18 Gauge Stainless Steel (Brushed 304)	SHB184 18 Gauge Stainless Steel (Brushed 304)	
		SHB186 18 Gauge Stainless Steel (Brushed 316)	SHB18 18 Gauge Stainless Steel (Brushed)	
		ALH .063" Aluminum (Painted)	ALH .063" Aluminum (Painted)	

LENS	VOLTAGE	DRIVER	OPTIONS
125P .125" Clear Polycarbonate	M Multi-Volt (120-277VAC)	BLANK 0-10V Dimming Driver (included standard)	14EBL 14 Watt Emergency Ballast
156P .187" Clear Polycarbonate	HV 347-480VAC	CD5 0-10V 5% to Off Dimming Driver	WL Wet Location
187P .187" Clear Polycarbonate		EDN Electronic Driver Non-Dimming	ML MILSTD 461G compliant
A125 .125" Clear Acrylic		DALI 1% Dali Dimming Driver	90 90 CRI
A156 .156" Clear Acrylic		LDE1 Lutron Hi-lume 1% EcoSystem LED driver with Soft-on, Fade-to-Black dimming technology	AM Anti-microbial Paint
			TH Torx Screws
			LVC Low Voltage Controller
			VCD Low Voltage Controller with Dimming
			VDO Lutron Vive Integral Fixture Control (RF with Daylight and Occupancy Sensing)
			NL Night Light
			LVCWS Low Voltage Controller Wall Switch
			FW5 Flex Whip 5-Wire 18/5

Other options and configurations are available. Consult factory for details.

Dimensions on Next Page 

ENERGY AND PERFORMANCE DATA

INPUT VOLTAGE:	120/277VAC
SYSTEM INPUT POWER:	31.5 - 90.1 WATTS*
DELIVERED LUMEN OUTPUT:	4000 - 13000 LUMENS
STANDARD DIMMING CONTROL:	0-10V
CCT:	2700, 3000, 3500, 4000, 5000 KELVIN
CRI:	82 (MINIMUM)
LIFE TIME RATING:	>100,000 HRS @ L70
INPUT FREQUENCY:	50/60 HZ
POWER FACTOR:	>0.9
OPERATING TEMP:	-30° TO 50° C

APPROXIMATE COLOR TEMPERATURE MULTIPLIER

5000K	X	1.03
4000K	X	1
3500K	X	.97
3000K	X	.94
2700K	X	.91

PART#	DELIVERED LUMENS	WATTS	L70 @20C (HRS)
4.5L	4500	31.5	>100K
8L	8000	55.2	>100K
11L	11000	79.1	>100K
12L	12000	83.2	>100K
13L	13000	90.1	>100K

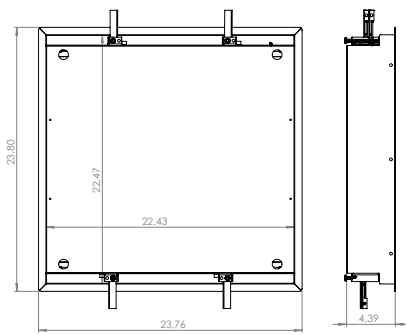
*ACTUAL WATTAGE MAY DIFFER BY ±5% WHILE OPERATING 120/277V ±10%



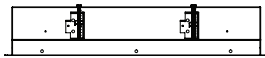
ROUGH IN SIZE LISTED BELOW.
Please pay careful attention to these dimensions.

DIMENSIONS

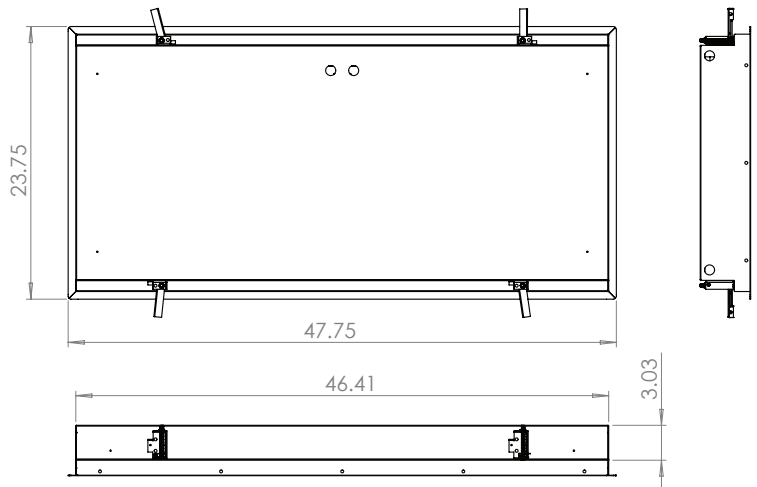
2x2



ROUGH IN SIZE TO BE 22 5/8" X 22 5/8"



2x4



ROUGH IN SIZE 46 5/8" X 22 5/8"

