

# LSWV50

LED STAIRWELL  
WITH MOTION &  
SOUND SENSOR



NEW



*Advantage Tune Available\**

**DESCRIPTION:** The LSWV50 Series is an LED Wall/Vanity fixture with a 45 degree mounted motion and sound sensor designed for stairwells. It is available with multiple length and finish options.

**APPLICATIONS:** The LSWV50 was designed to be stylish, high quality, energy efficient LED fixture for use in stairwells.

**CONSTRUCTION:** The fixture is constructed of a heavy gauge, cold rolled steel. Unit is powder coated white.

**OPTICAL SYSTEM:** Durayl® Acrylic or Basic Acrylic options in smooth white.

**ELECTRICAL SYSTEM:** Electronic driver 0-10V dimming standard, 120-277V. Long-life LED system rated for >100K hours (L70 @ 45°C). Complies with federal energy efficiency standards.

**MOUNTING:** Units are designed for surface mounting on either a wall or ceiling within stairwells.

**LISTING:** UL and cUL Listed. Damp location rated.

**WARRANTY:** 5 Year Limited Warranty on housing and electronics. Complete warranty and terms located at: [www.aelnow.com/warranty](http://www.aelnow.com/warranty).




45° Mounted Motion & Sound Sensor

Ordering Information on Next Page ►

## ORDERING INFORMATION

Example: LSWV50-4-35-7L-DA-M-W-DALI-NL

SERIES	SIZE	COLOR TEMP	ILLUMINATION	DIFFUSER	VOLTAGE	FINISH
LSWV50	2 2 feet 4 4 feet	30 3000K 35 3500K 40 4000K 50 5000K ATTW Tunable White	 4L 4000 Lumens (Standard Low) 7L 7000 Lumens (Medium Low) 11L 11000 Lumens (High Low) XX Custom Lumens	DA Durayl LED Acrylic (Smooth White) BA Basic Acrylic (Smooth White)	M Multi-Volt (120-277VAC)	W White SP Custom

DRIVERS		OPTIONS		LOW LEVEL SENSOR OPTIONS	
BLANK	0-10V 1% Dimming Driver (included standard)	14EBL	14 Watt Emergency Ballast	D10	10% nominal light output
CD5	0-10V 5% to Off Dimming Driver	NL	LED Night Light	D20	20% nominal light output
EDN	Electronic Driver Non-Dimming	VDO	Lutron Vive Attached RF fixture controller for 0-10V drivers	D30	30% nominal light output
DALI	1% Dali, Dimming Driver	GFCI	Ground Fault Circuit Interrupter	D40	40% nominal light output
LDE1	Lutron Hi-lume 1% EcoSystem LED driver with Soft-on, Fade-to-Black dimming technology				
2TW1	2 Channel 0-10v Tunable White 1% Dimming Driver*				
2TWCS	2 Channel 0-10v Tunable White Dimming Driver Compatible with Casambi**				

\*Prewired with Tunable White LED boards and (2) 0-10v drivers installed  
 \*\*Prewired with Tunable White LED boards and Casambi ready fixture control

*Other options and configurations are available. Consult factory for details.*

## Dimensions on Next Page

### ENERGY AND PERFORMANCE DATA

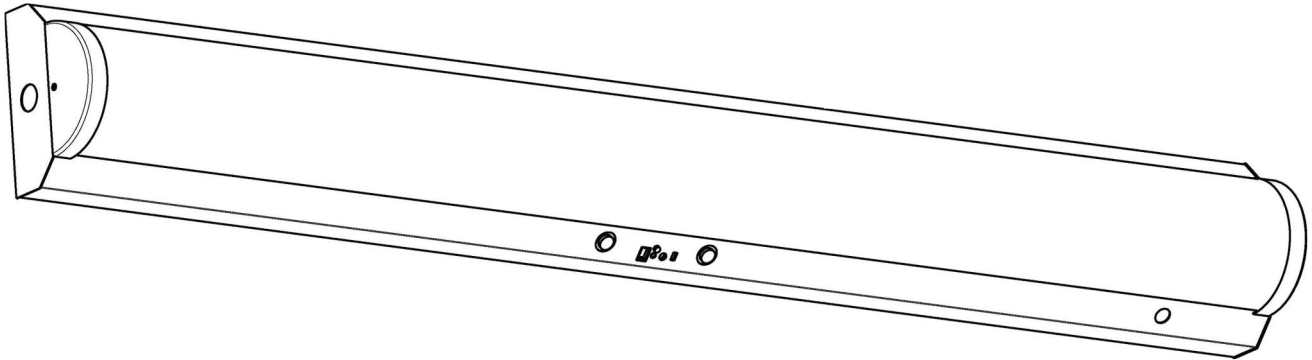
INPUT VOLTAGE:	120/277VAC
SYSTEM INPUT POWER:	27.8 - 79.3 WATTS*
DELIVERED LUMEN OUTPUT:	4000 - 25000 LUMENS
STANDARD DIMMING CONTROL:	0-10V
CCT:	3000, 3500, 4000, 5000 KELVIN
CRI:	82 (MINIMUM)
LIFE TIME RATING:	>100,000 HRS @ L70
INPUT FREQUENCY:	50/60 HZ
POWER FACTOR:	>0.9
OPERATING TEMP:	-30° TO 50° C

APPROXIMATE COLOR TEMPERATURE MULTIPLIER		
5000K	X	1.03
4000K	X	1
3500K	X	.97
3000K	X	.94
2700K	X	.91

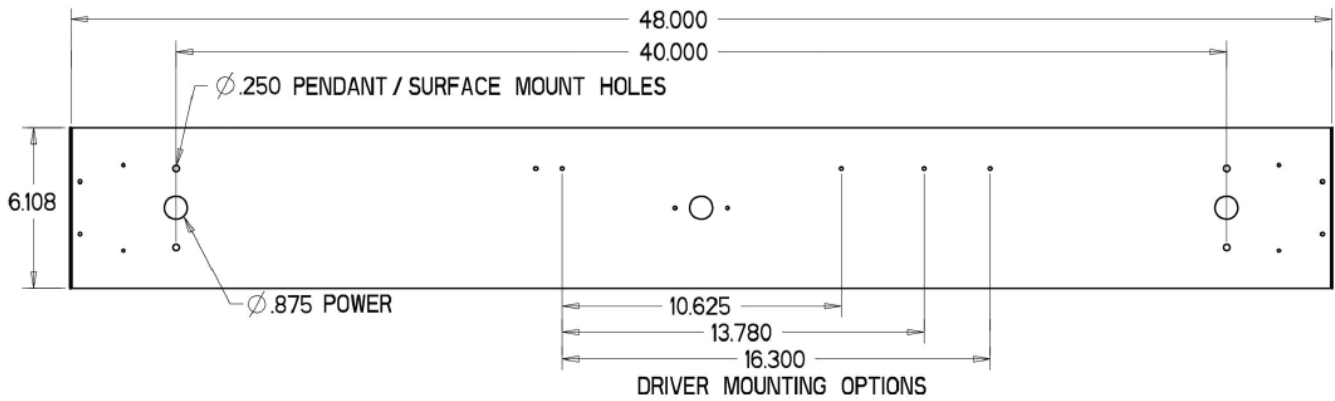
OUTPUT	DELIVERED LUMENS	WATTS	L70 @20C (HRS)
4L	4000 LUMENS	27.8	>100K
7L	7000 LUMENS	48.5	>100K
11L	11000 LUMENS	79.3	>100K

\*ACTUAL WATTAGE MAY DIFFER BY ±5% WHILE OPERATING 120/277V ±10%

## FIXTURE DIMENSIONS



## BOTTOM VIEW



## END VIEW

