

LSWV07

**STAIRWELL
LUMINAIRE WITH
OCCUPANCY SENSOR**



NEW



*Advantage Tune Available**

DESCRIPTION: The LSWV07 Series is a Stairwell LED Luminaire with an occupancy sensor and smooth white acrylic diffuser. The occupancy sensors switch lighting between on and off, or on and low level, based on occupancy.

APPLICATIONS: The LSWV07 Series of LED Stairwell fixtures are designed to be high quality, energy efficient LED fixtures for use in corridors, stairwells, etc.

CONSTRUCTION: The fixture is constructed of a structurally embossed, heavy gauge, cold rolled steel. White finish with powder coated white ends.

OPTICAL SYSTEM: High output LED's available in 2700K, 3000K, 3500K, 4000K, and 5000K. Smooth-white diffuser cleanly distributes the light output.

ELECTRICAL SYSTEM: 0-10V dimming driver standard for 120/277V applications. Long-life LED system rated for >100K life hours (L70 @ 25°C). Complies with federal energy efficiency standards.

MOUNTING: The LSWV07 Series is designed for surface mounting on either a wall or ceiling.

LISTING: UL and cUL Listed. Damp location rated.

SENSOR: Highly sensitive ultrasonic motion sensor detects motion outside direct line of sight. Easy setup with 5 minute walk test mode. Adjustable sensitivity and time delay of 5, 10, 15 or 30 minutes.

WARRANTY: 5 Year Limited Warranty on housing and electronics. Complete warranty and terms located at: www.aelnow.com/warranty.

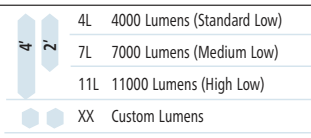


Occupancy Sensor

Ordering Information on Next Page 

ORDERING INFORMATION

Example: LSWV07-4-50-11L-SW-M-C-14EBL

SERIES	SIZE	COLOR TEMP	ILLUMINATION	DIFFUSER	VOLTAGE	FINISH
LSWV07	2 2 ft. 4 4 ft.	27 2700K 30 3000K 35 3500K 40 4000K 50 5000K ATTW Tunable White	 4L 4000 Lumens (Standard Low) 7L 7000 Lumens (Medium Low) 11L 11000 Lumens (High Low) XX Custom Lumens	SW Smooth White	M Multi-Volt (120-277VAC)	W White SP Custom

DRIVERS	OPTIONS	LOW LEVEL SENSOR OPTIONS
BLANK 0-10V Dimming Driver (included standard) CD1 0-10V 1% to Off Dimming Driver CD5 0-10V 5% to Off Dimming Driver EDN Electronic Driver Non-Dimming LDE1 Lutron Hi-lume 1% EcoSystem LED driver with Soft-on, Fade-to-Black dimming technology 2TW1 2 Channel 0-10v Tunable White 1% Dimming Driver* 2TWCS 2 Channel 0-10v Tunable White Dimming Driver Compatible with Casambi**	14EBL 14 Watt Emergency Ballast TPS Tamper Proof Screws	D10 10% nominal light output D20 20% nominal light output D30 30% nominal light output D40 40% nominal light output

*Prewired with Tunable White LED boards and (2) 0-10v drivers installed
 **Prewired with Tunable White LED boards and Casambi ready fixture control

Other options and configurations are available. Consult factory for details.

Dimensions on Next Page

ENERGY AND PERFORMANCE DATA

INPUT VOLTAGE:	120/277VAC
SYSTEM INPUT POWER:	27.8 - 79.3 WATTS*
DELIVERED LUMEN OUTPUT:	4000 - 25000 LUMENS
STANDARD DIMMING CONTROL:	0-10V
CCT:	3000, 3500, 4000, 5000 KELVIN
CRI:	82 (MINIMUM)
LIFE TIME RATING:	>100,000 HRS @ L70
INPUT FREQUENCY:	50/60 HZ
POWER FACTOR:	>0.9
OPERATING TEMP:	-30° TO 50° C

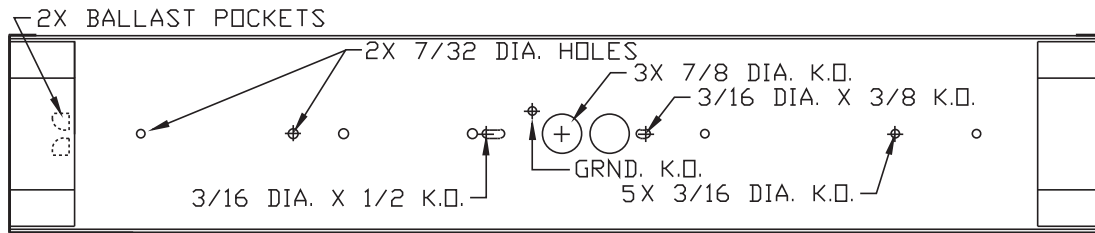
APPROXIMATE COLOR TEMPERATURE MULTIPLIER

5000K	X	1.03
4000K	X	1
3500K	X	.97
3000K	X	.94
2700K	X	.91

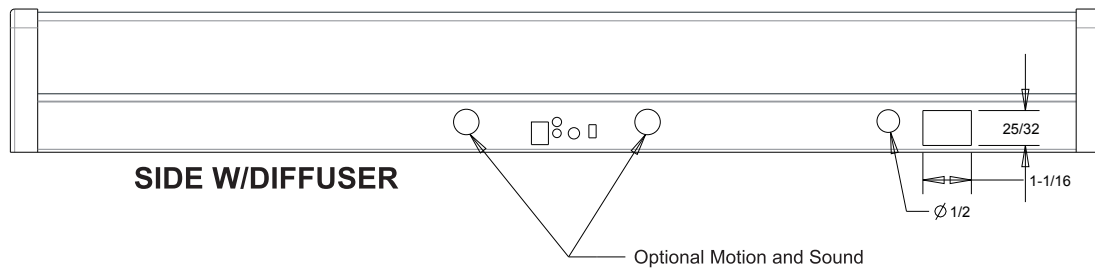
OUTPUT	DELIVERED LUMENS	WATTS	L70 @20C (HRS)
4L	4000 LUMENS	27.8	>100K
7L	7000 LUMENS	48.5	>100K
11L	11000 LUMENS	79.3	>100K

*ACTUAL WATTAGE MAY DIFFER BY ±5% WHILE OPERATING 120/277V ±10%

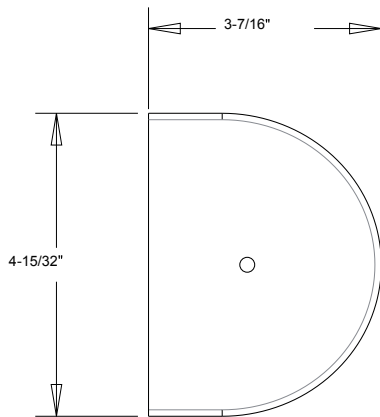
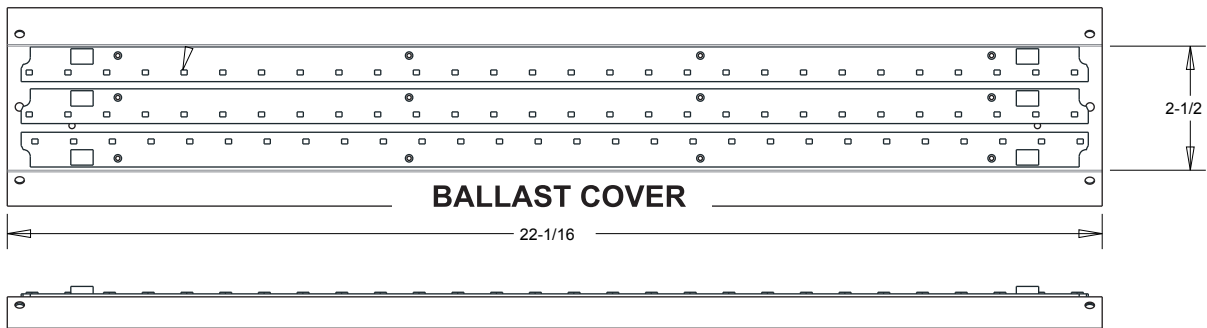
FIXTURE DIMENSIONS



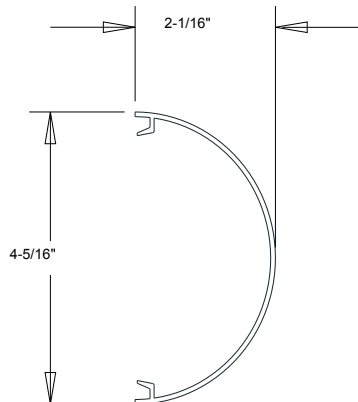
TOP



SIDE W/DIFFUSER



END



DIFFUSER