



CATALOG #:
PROJECT:
TYPE:

# LSWV07 STAIRWELL LUMINAIRE WITH OCCUPANCY SENSOR



**NEW**



*Advantage Tune Available\**



**DESCRIPTION:** The LSWV07 Series is a Stairwell LED Luminaire with an occupancy sensor and smooth white acrylic diffuser. The occupancy sensors switch lighting between on and off, or on and low level, based on occupancy.

**APPLICATIONS:** The LSWV07 Series of LED Stairwell fixtures are designed to be high quality, energy efficient LED fixtures for use in corridors, stairwells, etc.

**CONSTRUCTION:** The fixture is constructed of a structurally embossed, heavy gauge, cold rolled steel. White finish with powder coated white ends.

**OPTICAL SYSTEM:** High output LED's available in 2700K, 3000K, 3500K, 4000K, and 5000K. Smooth-white diffuser cleanly distributes the light output.

**ELECTRICAL SYSTEM:** 0-10V dimming driver standard for 120/277V applications. Long-life LED system rated for >100K life hours (L70 @ 25°C). Complies with federal energy efficiency standards.

**MOUNTING:** The LSWV07 Series is designed for surface mounting on either a wall or ceiling.

**LISTING:** UL and cUL Listed. Damp location rated.

**SENSOR:** Highly sensitive ultrasonic motion sensor detects motion outside direct line of sight. Easy setup with 5 minute walk test mode. Adjustable sensitivity and time delay of 5, 10, 15 or 30 minutes.

**WARRANTY:** 5 Year Limited Warranty on housing and electronics. Complete warranty and terms located at: [www.aelnow.com/warranty](http://www.aelnow.com/warranty).

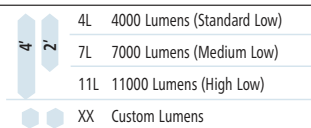


**Occupancy Sensor**

Ordering Information on Next Page

## ORDERING INFORMATION

Example: LSWV07-4-50-11L-SW-M-C-14EBL

SERIES	SIZE	COLOR TEMP	ILLUMINATION	DIFFUSER	VOLTAGE	FINISH
LSWV07	2 2 ft.	27 2700K		SW Smooth White	M Multi-Volt (120-277VAC)	W White SP Custom
	4 4 ft.	30 3000K				
		35 3500K				
		40 4000K				
		50 5000K				
		ATTW Tunable White				

DRIVERS	OPTIONS	LOW LEVEL SENSOR OPTIONS
2TW1 2 Channel 0-10v Tunable White 1% Dimming Driver*	14EBL 14 Watt Emergency Ballast	D10 10% nominal light output
2TWCS 2 Channel 0-10v Tunable White Dimming Driver Compatible with Casambi**	TPS Tamper Proof Screws	D20 20% nominal light output
		D30 30% nominal light output
		D40 40% nominal light output

\*Prewired with Tunable White LED boards and (2) 0-10v drivers installed  
 \*\*Prewired with Tunable White LED boards and Casambi ready fixture control

*Other options and configurations are available. Consult factory for details.*

## Dimensions on Next Page

### ENERGY AND PERFORMANCE DATA

INPUT VOLTAGE:	120/277VAC
SYSTEM INPUT POWER:	27.8 - 79.3 WATTS*
DELIVERED LUMEN OUTPUT:	4000 - 25000 LUMENS
STANDARD DIMMING CONTROL:	0-10V
CCT:	3000, 3500, 4000, 5000 KELVIN
CRI:	82 (MINIMUM)
LIFE TIME RATING:	>100,000 HRS @ L70
INPUT FREQUENCY:	50/60 HZ
POWER FACTOR:	>0.9
OPERATING TEMP:	-30° TO 50° C

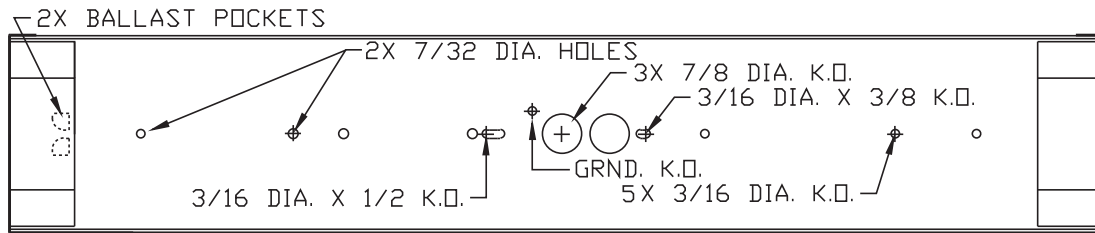
### APPROXIMATE COLOR TEMPERATURE MULTIPLIER

5000K	X	1.03
4000K	X	1
3500K	X	.97
3000K	X	.94
2700K	X	.91

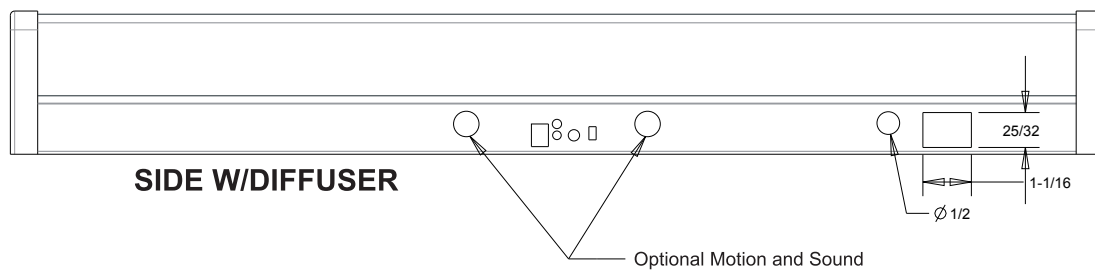
OUTPUT	DELIVERED LUMENS	WATTS	L70 @20C (HRS)
4L	4000 LUMENS	27.8	>100K
7L	7000 LUMENS	48.5	>100K
11L	11000 LUMENS	79.3	>100K

\*ACTUAL WATTAGE MAY DIFFER BY ±5% WHILE OPERATING 120/277V ±10%

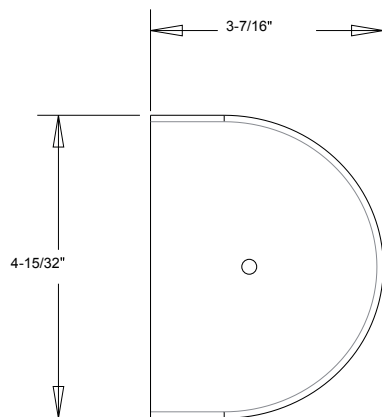
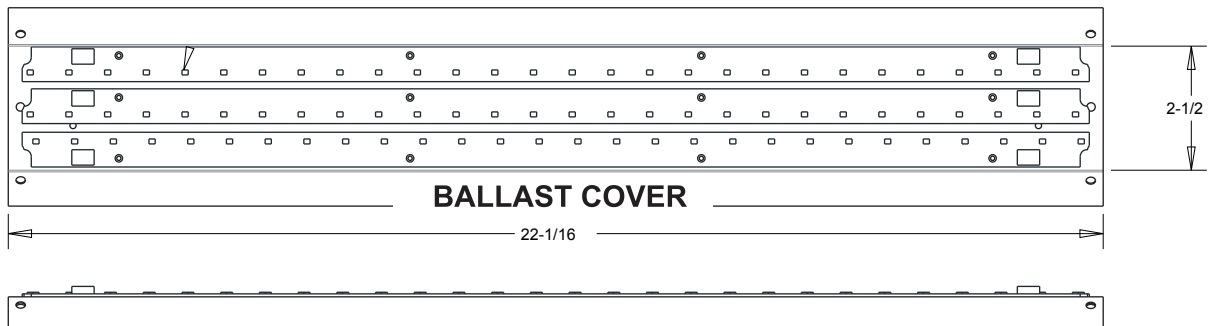
## FIXTURE DIMENSIONS



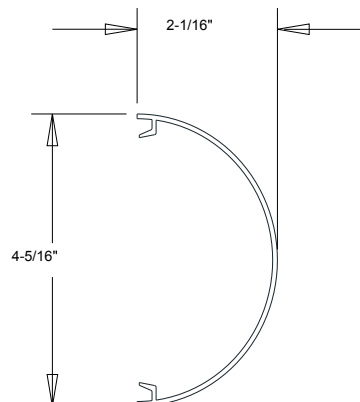
TOP



SIDE W/DIFFUSER



END



DIFFUSER