



CATALOG #:
PROJECT:
TYPE:

LRKT LED TROFFER RETROFIT KIT



DESCRIPTION: The LRKT Series is a led Troffer Retrofit Kit designed to modify existing fixtures to higher efficiency LED options. It is designed to save time and energy to upgrade fixtures rather than replacing them.

APPLICATIONS: The LRKT Series of Troffer Retrofit Kits were designed to be high quality, energy efficient LED fixtures for use in commercial applications, offices, government facilities, schools, and public areas. **CONSTRUCTION** The fixture is constructed of aluminum components. Designed to retrofit into any existing 1x4, 2x2, or 2x4 troffer.

OPTICAL SYSTEM: White polyester polymer finish with a minimum 93% reflectivity.

ELECTRICAL SYSTEM: 120/277V applications, 0-10v dimming standard. Long-life LED system rated for >100K life hours (L70 @ 25°C). Metal gear tray for internal LED driver. Complies with federal energy efficiency standards.

MOUNTING: The fixture can be retrofit into a existing fluorescent troffers. Single piece panels with pre-punched mounting holes makes installation simple and quick.

LISTINGS: Independantly tested to IESNA LM-79 and LM-80 specifications. ETL and cETL Listed. Damp location rated.

WARRANTY: 5-Year Limited Warranty. Complete warranty and terms located at www.aelnow.com/warranty

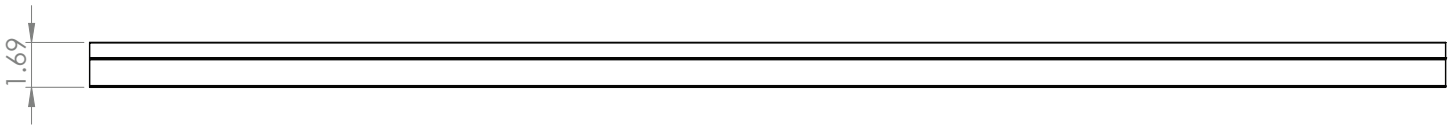
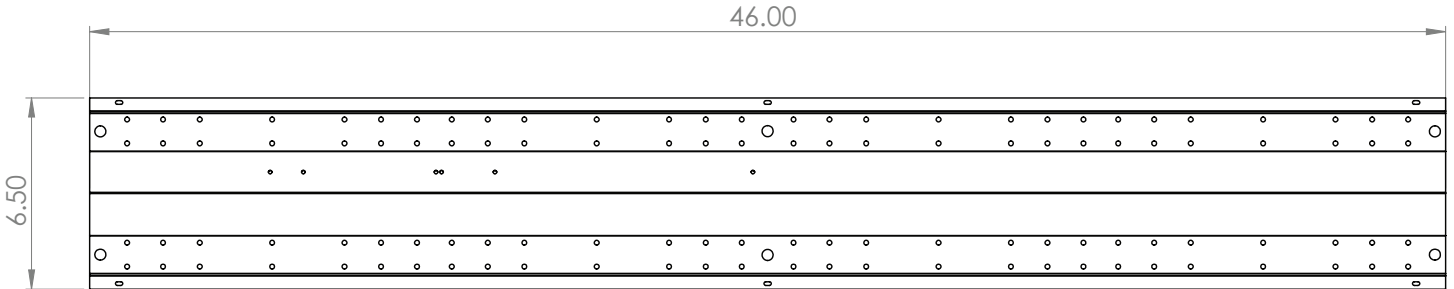
Ordering Example: LRKT2-27-ML-W-M-12EBL

SERIES	CCT	OUTPUT	REFLECTOR	VOLTAGE	OPTIONS
LRKT1 1x4	27 2700K	SL Standard Low	W White	M Multi-Volt (120-277V)	12EBL 1200 Lumen Emergency Driver OCC Internal Occupancy Sensor
LRKT2 2x2	30 3000K	ML Medium Low			
LRKT4 2x4	35 3500K	HL High Low			
	40 4000K	SM Standard Medium			
	50 5000K	MM Medium Medium			
		HM High Medium			
		SH Standard High			
		MH Medium High			
		HH High High			

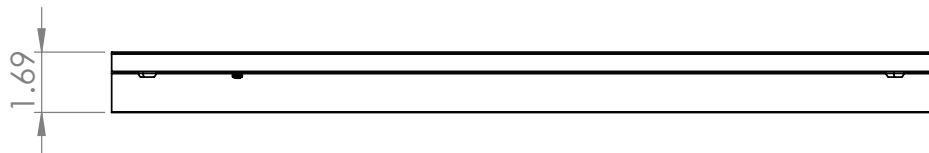
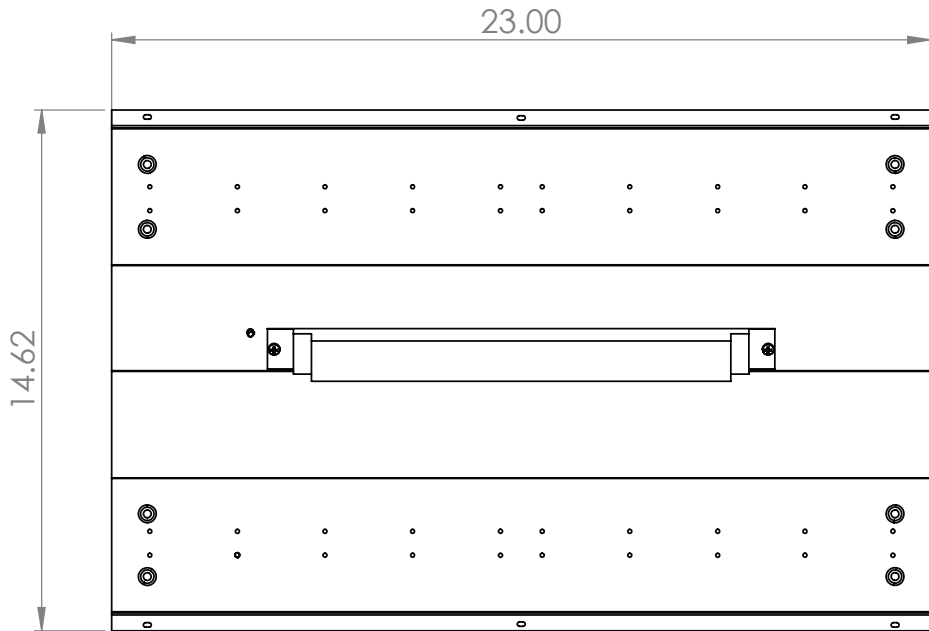
*1x4 and 2x2 fixtures are only available up to SM - 12040 lumen output.

DIMENSIONS

1X4

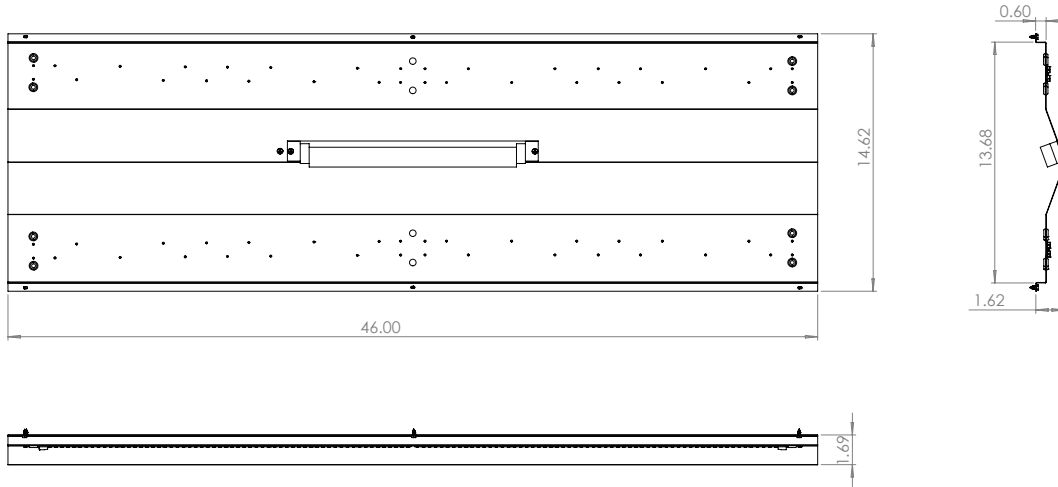


2X2



DIMENSIONS

2X4



OUTPUT DELIVERED	LUMENS	SYSTEM WATTAGE	L70 @20C (HRS)
SL	4650	33	>100K
ML	7974	57	>100K
HL	11150	80	>100K
SM	12040	86	>100K
MM	13016	93	>100K
HM	15728	112	>100K
SH	16500	118	>100K
MH	20000	143	>100K
HH	25000	179	>100K

APPROXIMATE COLOR TEMPERATURE MULTIPLIER

	LUMENS		
5000K X	1.03	_____	= _____
4000K X	1	_____	= _____
3500K X	.97	_____	= _____
3000K X	.94	_____	= _____
2700K X	.91	_____	= _____

INSTALLATION INSTRUCTIONS



STEP 1) Remove troffer to be retrofitted's doorframe/lens assembly

STEP 2) Remove fixture components (such as internal reflector/sockets/ballast)

STEP 2) Place LRKT retrofit kit into housing, and make electrical connections (ensure to make ground connection).

STEP 4) Using (6) of the included 6 x 3/8" self-tapping screws, zip retrofit kit into the housing. Ensure that it is properly secured.

STEP 5) Replace troffer doorframe/lens assembly