

LHCS

LED Wall Sconce

Housing

Die-Formed Cold-Rolled Steel. Available in Satin Nickel and Oil Rubbed Bronze finishes.

Optical

Shade: High Transmission Glass Creates Excellent Light Distribution and Uniformity.

LED: High Efficiency, >80 CRI, Binned and Mixed to Reach Uniform Light.

Electrical

High Power Factor, Low THD.

Lamp

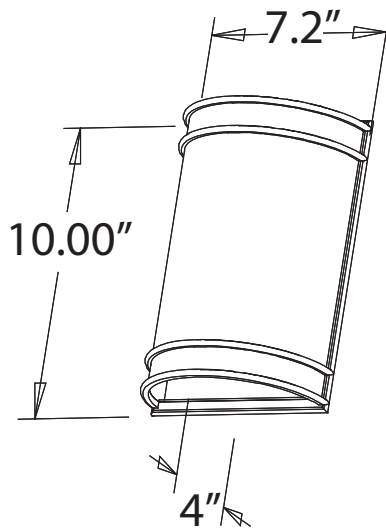
LED Color Temperature Option 3000K, 3500K, 4000K, 5000K.

Certification

UL/cUL, ETL/cETL Listed, Suitable for Damp Locations.

Warranty

5 Years Limited Warranty on Driver and LED.



Ordering Example: LHCS-30-15W-120-SN

SERIES	COLOR TEMP		ILLUMINATION		VOLTAGE		FINISH	
LHCS	30	3000K	15W	1150lm	120	120V	SN	Satin Nickel
	35	3500K					ORB	Oil Rubbed Bronze
	40	4000K						
	50	5000K						