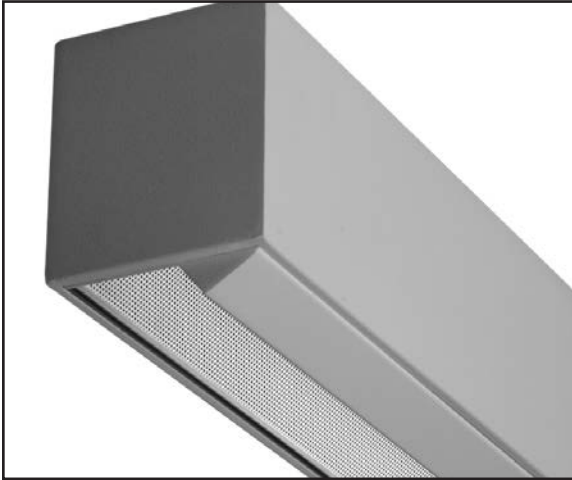


LDP4

4" Designer Recessed Perimeter LED Luminaire



STANDARD | OPTIONAL



PRODUCT SPECIFICATIONS

DESCRIPTION

The LDP4 Series is an architecturally designed recessed perimeter LED luminaire. It is available for continuous run mounting that can be ordered to accommodate nearly any room design. Providing exceptional asymmetric distribution in combination with sleek aesthetics creates a beautiful and functional fixture, that sets a new standard for wall wash luminaires.

APPLICATIONS

The LDP4 Series is designed to be a high quality, energy efficient LED fixtures for us in hotel lobbies, corridors, common areas, museums, government facilities, schools, and professional business environments.

CONSTRUCTION

The fixture is constructed of a 4" wide heavy gauge aluminum body. This fixture is available in any run length within 1' increments. Additional finishing sleeves are available to account for fixture gaps up to 6". Two finishing sleeves may be used together to cover gaps up to 12"

OPTICAL SYSTEM

High output LED's available in 3000K, 3500K, 4000K, and 5000K. CRI >82. The fixture is provided with a precision formed, specular aluminum Wall Wash reflector designed to direct the light into usable vertical illumination. The asymmetric reflector provides exceptional downward throw. The narrow aperture provides unobtrusive aesthetics.

ELECTRICAL SYSTEM

Electronic drivers are available for 120/277V applications. Long-life LED system rated for >100K life hours (L70 @ 25°C). Metal gear tray for internal LED driver. Complies with federal energy efficiency standards.

MOUNTING

The fixture can be recess mounted in either a standard grid ceiling or it may be ordered with a flange kit to allow for mounting into sheetrock

LISTINGS

Independently tested to IESNA LM-79 and LM-80 specifications. DLC Approved. Please refer to www.designlights.org for a complete listing of qualified models. ET Listed. CSA approved.

WARRANTY

5-Year Limited Warranty. Complete warranty and terms located at www.aelnow.com/warranty.

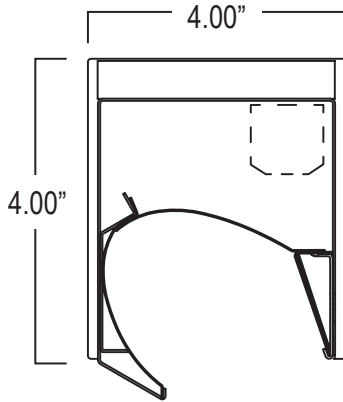
ORDERING INFORMATION

Example: LDP4F40HSSMW4

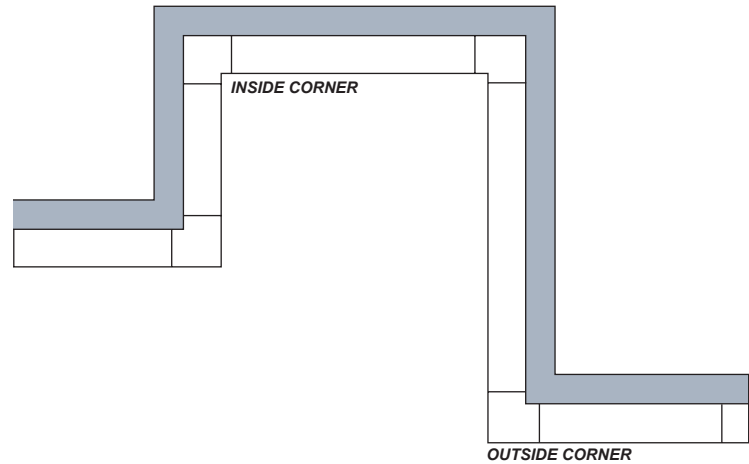
SERIES	MOUNTING	COLOR TEMP	OUTPUT	LENS	VOLTAGE
LDP4	L Lay-in Grid	30 3000K	S Standard	S Satin Lens	M 120/277 Multi-Volt
	F Flanged	35 3500K	HS High Standard		
	FT Flangeless Trim	40 4000K	M Medium		
		50 5000K	HM High Medium		

FINISH	*ROW LENGTH	DRIVER	OPTIONS
W White	2 2 Feet	EDN Electronic Driver Non-Dimming	EC Emergency Circuit
SP Special	3 3 Feet	EDD1 Electronic Driver 1-10V Dimming 10%	12EBL 1200 Lumen Emergency Ballast
	4 4 Feet	EDD0 Electronic Driver 0-10V Dimming 1%	L 90 Degree Ceiling
	5 5 Feet	FLDD Fifth Light Dali, Dimming	XXV XX Degree Ceiling
	6 6 Feet	LDE1 Lutron Hi-lume 1% EcoSystem LED Driver with Soft-on, Fade-to-Black Dimming Technology	90 90 CRI
	7 7 Feet	LDE5 Lutron 5-Series EcoSystem LED Driver	IC Inside Corner
	8 8 Feet	PSQ02U T-Series 1% 2-Channel Tunable White Driver	OC Outside Corner
	XX XX Feet		VDO Lutron Vive Integral RF controller with daylight and occupancy sensing
			120FCJS0 Lutron Vive attached RF fixture controller for 0-10V drivers

FIXTURE DIMENSIONS



ORDERING DETAIL



LED SYSTEM DATA

Output	Delivered Lumens Per Foot	System Wattage Per Foot	CRI	LPW
Standard	506 Lm/Ft	3.3	82	148
High Standard	709 Lm/Ft	5.1	82	139
Medium	965 Lm/Ft	6.9	82	140
High Medium	1,468 Lm/Ft	10.3	82	143

Additional Lumen options available add desired lumens to end of part #
e.g. LDP440MSMW43500

ENERGY AND PERFORMANCE DATA

Input Voltage	120/277 VAC
Standard Dimming Control	0-10V
CCT	3000, 3500, 4000, 5000 Kelvin
CRI	82 (minimum)
Life Time Rating	100,000 hrs at L70
Input Frequency	50/60Hz
Power Factor	>0.9
Operating Temp	Low Ambient -20°C/ High Ambient 50°C

Quick reference Output Guide Standard

Length	Lumens	Wattage
2 Foot	1012	6.6
3 Foot	1518	9.9
4 Foot	2024	13.2
6 Foot	3036	19.8
8 Foot	4048	26.4

Quick reference Output Guide High Standard

Length	Lumens	Wattage
2 Foot	1418	10.2
3 Foot	2127	15.3
4 Foot	2836	20.4
6 Foot	4254	30.6
8 Foot	5672	40.8

Quick reference Output Guide Medium

Length	Lumens	Wattage
2 Foot	1930	13.8
3 Foot	2895	20.7
4 Foot	3860	27.6
6 Foot	5790	41.4
8 Foot	7720	55.2

Quick reference Output Guide High Medium

Length	Lumens	Wattage
2 Foot	2936	20.6
3 Foot	4404	30.9
4 Foot	5872	41.2
6 Foot	8808	61.8
8 Foot	11744	82.4