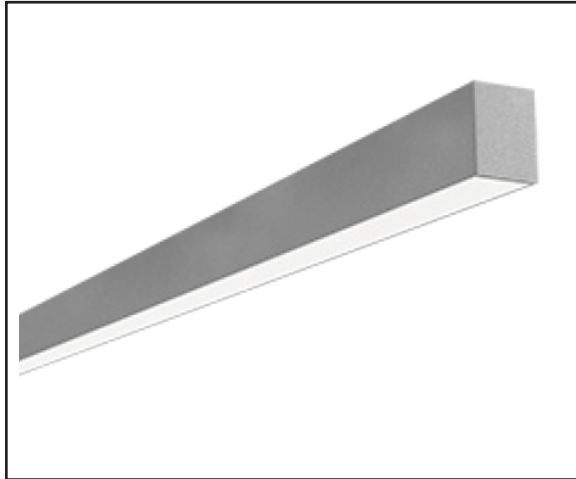




âBâ â
 â â B â



PRODUCT SPECIFICATIONS

DESCRIPTION

The LDL6SMAWL is an architectural luminaire designed for wet, surface mounted locations. It is available for continuous run mounting. Driven by performance and a clean aesthetic, the LDL6SMAWL series represents the ultimate in simplicity; a narrow, uniform line of light. Constructed with premium materials with industry leading technology, the 6 Series is available in configurable runs. The LDL6SMAWL integrates seamlessly with today's modern building management systems. With virtually unlimited applications, the 6 Series allows architects and designers the freedom to experiment with their designs without exceeding ever decreasing energy budgets.

APPLICATIONS

The LDL6SMAWL Series is designed to be a high quality, energy efficient LED fixtures for use in hotel lobbies, offices, common areas, hospitals, museums, retail, schools, wet area and professional business environments.

CONSTRUCTION

The fixture is constructed of a 6.0" wide extruded aluminum body. The fixture is available in any run length within 1' increments. Heavy duty housing for extra rigidity and straight alignment.

OPTICAL SYSTEM

High output LED's available in 3000K, 3500K, 4000K, and 5000K. CRI>82. Satin lens provides for a beautiful architectural design while maintaining optimal light output.

ELECTRICAL SYSTEM

Electronic drivers are available for 120/277V applications. 0-10V Dimming Standard. Long-life LED system rated for >120,000 life hours (L70@25°C). Metal gear tray for internal LED driver. Complies with Federal Energy Efficiency Standards.

MOUNTING

The fixture can be surface mounted. Continuous run available.

LISTINGS

Independently tested to IESNA LM-79 and LM-80 specifications. UL and cUL Listed.

WARRANTY

5-Year Limited Warranty. Complete warranty & terms located at www.aelnow.com.

ORDERING INFORMATION

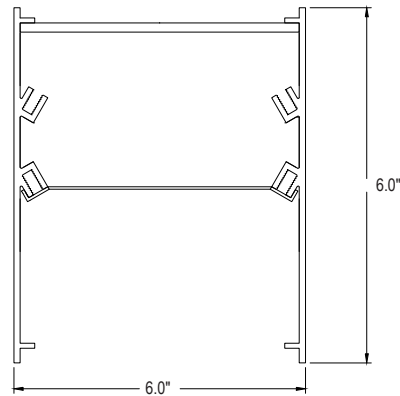
Example: LDL6SMAWL35MSMW4

Options: 12EBL

SERIES	CCT	OUTPUT	LENS	VOLTAGE	FINISH	ROW LENGTH
LDL64SMA	30	3000K	S Standard	M 120/277 (Multi-Volt)	W White	2 2 Feet
	35	3500K	HS High Standard		SP Special	3 3 Feet
	40	4000K	M Medium			4 4 Feet
	50	5000K	HM High Medium			5 5 Feet
						6 6 Feet
					7 7 Feet	
					8 8 Feet	
					XX XX Feet	

DRIVER OPTIONS		OPTIONS		WIRING HARNESS	
BLANK	0-10V Dimming Driver (included standard)	12EBL	1200 Lumen Emergency Ballast	WH34	3-Wire 4 Feet
CD1	0-10V 1% to Off Dimming Driver	FW	Flex Whip Cable 6'	WH44	4-Wire 4 Feet
CD5	0-10V 5% to Off Dimming Driver	VDO	Lutron Vive Integral fixture control (RF with Daylight and Occupancy Sensing)	WH54	5-Wire 4 Feet
EDN	Electronic Driver Non-Dimming	FCJ50	Lutron Vive Attached Fixture Control (RF Only for 0-10V Drivers)	WH38	3-Wire 8 Feet
FLDD	Fifth Light Dali, Dimming	OC4EX	Occupancy Sensor	WH48	4-Wire 8 Feet
LDE1	Lutron Hi-lume 1% EcoSystem LED driver with Soft-on, Fade-to-Black dimming technology			WH58	5-Wire 8 Feet
LDE5	Lutron LDE5 5-Series Ecosystem 5% Dimming				
PSQ02U	Lutron T-Series 1% 2-Channel Tunable White				

FIXTURE DIMENSIONS

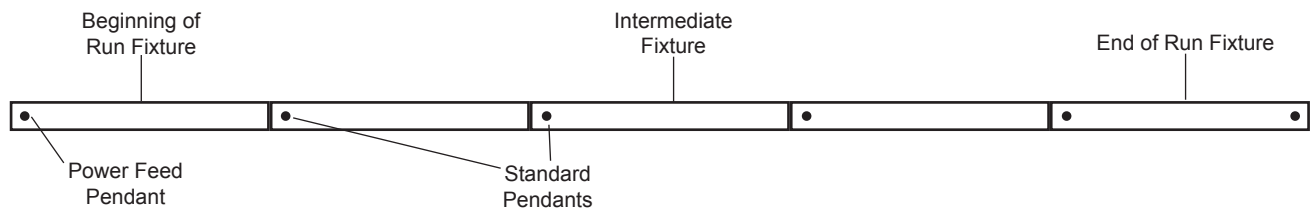


ROW CONFIGURATIONS

AEL would like to double check your Bill of Material upon placement of your order if the number of rows and their individual row lengths are provided on the purchase order as follows:

Row 1 - 8' Row 2 - 8' Row 3 - 24' Row 4 - 24'

Please provide any additional pertinent information such as additional power drops required mid-row.



		Row Length	2'	4'	6'	8'	10'	12'	14'	16'	18'	20'	22'	24'	26'	28'	30'	32'	34'	36'	38'	40'	42'	44'	46'	48'	
Fixture Length	2'	1		1		1		1		1		1		1		1		1		1		1		1		1	
	4'		1	1			1	1			1	1			1	1			1	1			1	1			1
	8'				1	1	1	1	1	2	2	2	2	3	3	3	3	4	4	4	4	5	5	5	5	6	
Total Pendants Needed		2	2	3	2	3	3	4	3	4	4	5	4	5	5	6	5	6	6	7	6	7	7	8	7		

LED SYSTEM DATA

Output	Delivered Lumens Per Foot	System Wattage Per Foot	CRI	LPW
Standard	506 Lm/Ft	3.3	82	148
High Standard	709 Lm/Ft	5.1	82	139
Medium	965 Lm/Ft	6.9	82	140
High Medium	1,468 Lm/Ft	10.3	82	143

ENERGY AND PERFORMANCE DATA

Input Voltage	120/277 VAC
Standard Dimming Control	0-10V
CCT	3000, 3500, 4000, 5000 Kelvin
CRI	82 (minimum)
Life Time Rating	>120,000 hrs at L70
Input Frequency	50/60Hz
Power Factor	>0.9
Operating Temp	Low Ambient -20°C/ High Ambient 50°C

Additional Lumen options available add desired lumens to end of part #
 e.g. LDL6SMAWL40MSMW43500

Quick reference Output Guide Standard		
Length	Lumens	Wattage
2 Foot	1012	6.6
3 Foot	1518	9.9
4 Foot	2024	13.2
6 Foot	3036	19.8
8 Foot	4048	26.4

Quick reference Output Guide High Standard		
Length	Lumens	Wattage
2 Foot	1418	10.2
3 Foot	2127	15.3
4 Foot	2836	20.4
6 Foot	4254	30.6
8 Foot	5672	40.8

Quick reference Output Guide Medium		
Length	Lumens	Wattage
2 Foot	1930	13.8
3 Foot	2895	20.7
4 Foot	3860	27.6
6 Foot	5790	41.4
8 Foot	7720	55.2

Quick reference Output Guide High Medium		
Length	Lumens	Wattage
2 Foot	2936	20.6
3 Foot	4404	30.9
4 Foot	5872	41.2
6 Foot	8808	61.8
8 Foot	11744	82.4