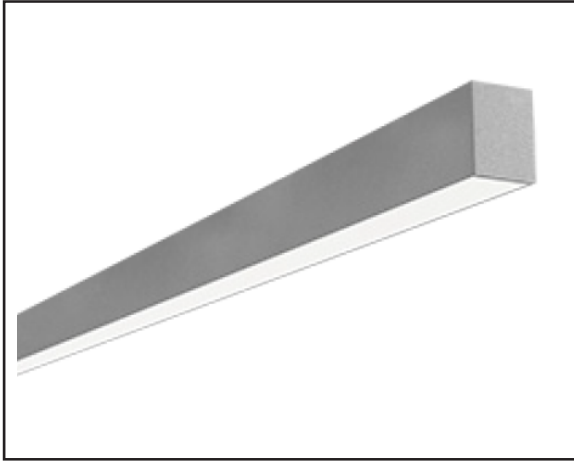


Catalog Number
Project
Type

LDL6RS

6" Recessed Steel Designer LED Luminaire



STANDARD

OPTIONAL



PRODUCT SPECIFICATIONS

DESCRIPTION

The LDL6RS Series is an architecturally designed Recessed Steel LED Luminaire that is classically styled and fit for any interior. It is available for continuous run mounting.

APPLICATIONS

The LDL6RS Series of Recessed Steel Luminaires are designed to be high quality, energy efficient LED fixtures for use in commercial applications, offices, hotel lobbies, museums, government facilities, schools, and public areas.

CONSTRUCTION

The fixture is constructed of a 6" wide heavy gauge steel body. The fixture is available in any run length within 1' increments. Heavy duty housing crimped along sides for extra rigidity and straight alignment.

OPTICAL SYSTEM

High output LED's available in 3000K, 3500K, 4000K, and 5000K. CRI >82. Satin lens provides for a beautiful architectural design while maintaining optimal light output.

ELECTRICAL SYSTEM

Electronic drivers are available for 120/277V applications. Long-life LED system rated for >50K life hours (L70 @ 25°C). Metal gear tray for internal LED driver. Complies with federal energy efficiency standards.

ACI BH-B;

This fixture is designed to be recessed mounted. Continuous run available.

@GH-B; G

Independently tested to IESNA LM-79 and LM-80 specifications. UL and cUL Listed.

K 5 F F 5 BHM

5-Year Limited Warranty. Complete warranty & terms located at www.aelnow.com/resources.

ORDERING INFORMATION

Example: LDL6RSL35MSMW4

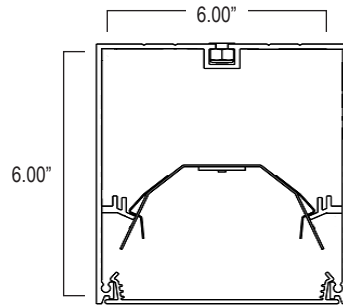
Options: 12EBL

SERIES	MOUNTING	COLOR TEMP	OUTPUT	LENS
LDL6RS	L Lay-in Grid	30 3000K	S Standard	S Satin Lens
	F Flanged	35 3500K	HS High Standard	
	FT Flangeless Trim	40 4000K	M Medium	
		50 5000K	HM High Medium	

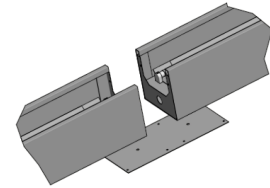
VOLTAGE	FINISH	*ROW LENGTH	**WALL/CEILING LENGTH	OPTIONS
M 120/277 Multi-Volt	W White	2 2 Feet	XX FTW Length in Feet Wall	EC Emergency Circuit 12EBL 1200 Lumen Emergency Ballast L 90 Degree Ceiling-to-Wall XXV XX Degree Ceiling-to-Wall 90 90 CRI
		3 3 Feet		
	SP Special	4 4 Feet	XX FTC Length in Feet Ceiling	
		5 5 Feet		
		6 6 Feet		
		7 7 Feet		
		8 8 Feet		
		XX XX Feet		

*Ignore ROW LENGTH when ordering Ceiling to Wall application
**Please specify length when ordering Ceiling to Wall application

FIXTURE DIMENSIONS



For Continuous Run Mounts:

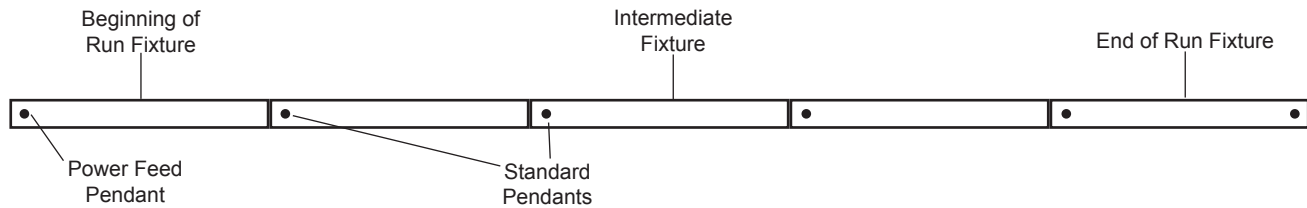


ROW CONFIGURATIONS

AEL would like to double check your Bill of Material upon placement of your order if the number of rows and their individual row lengths are provided on the purchase order as follows:

Row 1 - 8' Row 2 - 8' Row 3 - 24' Row 4 - 24'

Please provide any additional pertinent information such as additional power drops required mid-row.



Row Length		2'	4'	6'	8'	10'	12'	14'	16'	18'	20'	22'	24'	26'	28'	30'	32'	34'	36'	38'	40'	42'	44'	46'	48'
Fixture Length	2'	1		1		1		1		1		1		1		1		1		1		1		1	
	4'		1	1		1	1		1	1		1	1		1	1		1	1		1	1		1	1
	8'				1	1	1	1	2	2	2	2	3	3	3	3	4	4	4	4	5	5	5	5	6
Total Pendants Needed		2	2	3	2	3	3	4	3	4	4	5	4	5	5	6	5	6	6	7	6	7	7	8	7

LED SYSTEM DATA

Output	Delivered Lumens Per Foot	System Wattage Per Foot	CRI	LPW
Standard	506 Lm/Ft	3.3	82	148
Medium	709 Lm/Ft	5.1	82	139
High Standard	965 Lm/Ft	6.9	82	140
High Medium	1,468 Lm/Ft	10.3	82	143

ENERGY AND PERFORMANCE DATA

Input Voltage	120/277 VAC
Standard Dimming Control	0-10V
CCT	3000, 3500, 4000, 5000 Kelvin
CRI	82 (minimum)
Life Time Rating	100,000 hrs at L70
Input Frequency	50/60Hz
Power Factor	>0.9
Operating Temp	Low Ambient -20°C/ High Ambient 50°C

Additional Lumen options available add desired lumens to end of part #
e.g. LDL6RS40MSMW43500

Quick reference Output Guide Standard

Length	Lumens	Wattage
2 Foot	1012	6.6
3 Foot	1518	9.9
4 Foot	2024	13.2
6 Foot	3036	19.8
8 Foot	4048	26.4

Quick reference Output Guide Medium

Length	Lumens	Wattage
2 Foot	1418	10.2
3 Foot	2127	15.3
4 Foot	2836	20.4
6 Foot	4254	30.6
8 Foot	5672	40.8

Quick reference Output Guide High Standard

Length	Lumens	Wattage
2 Foot	1930	13.8
3 Foot	2895	20.7
4 Foot	3860	27.6
6 Foot	5790	41.4
8 Foot	7720	55.2

Quick reference Output Guide High Medium

Length	Lumens	Wattage
2 Foot	2936	20.6
3 Foot	4404	30.9
4 Foot	5872	41.2
6 Foot	8808	61.8
8 Foot	11744	82.4

CORNER LAYOUT

