



CATALOG #:  
PROJECT:  
TYPE:

# LBTN UNDER CABINET LUMINAIRE



## PRODUCT SPECIFICATIONS

**DESCRIPTION:** The LBTN Series is an LED under cabinet that provides a uniform light distribution and LED diffusion to reduce eye strain of healthcare professionals. Designed with quality, efficacy, and long-lifespan in mind to cut hospital maintenance costs.

**APPLICATIONS:** The LBTN series of LED under cabinet fixtures are designed to be high quality, energy efficient under cabinet luminaires for healthcare applications.

**CONSTRUCTION:** The fixture is constructed of a structurally embossed, heavy gauge, cold rolled steel.

**OPTICAL SYSTEM:** Ribbed white polycarbonate lens is standard. White pre-painted polyester polymer finish with a high reflectivity. Antimicrobial paint available.

**ELECTRICAL SYSTEM:** Electronic drivers are available for 120/277V applications. Long-life LED system rated for >100K life hours (L70 @ 25°C). Metal gear tray for internal LED driver. Complies with federal energy efficiency standards.

**MOUNTING:** Units are designed for under cabinet mounting.

**LISTINGS:** UL and cUL Listed. Damp location rated.

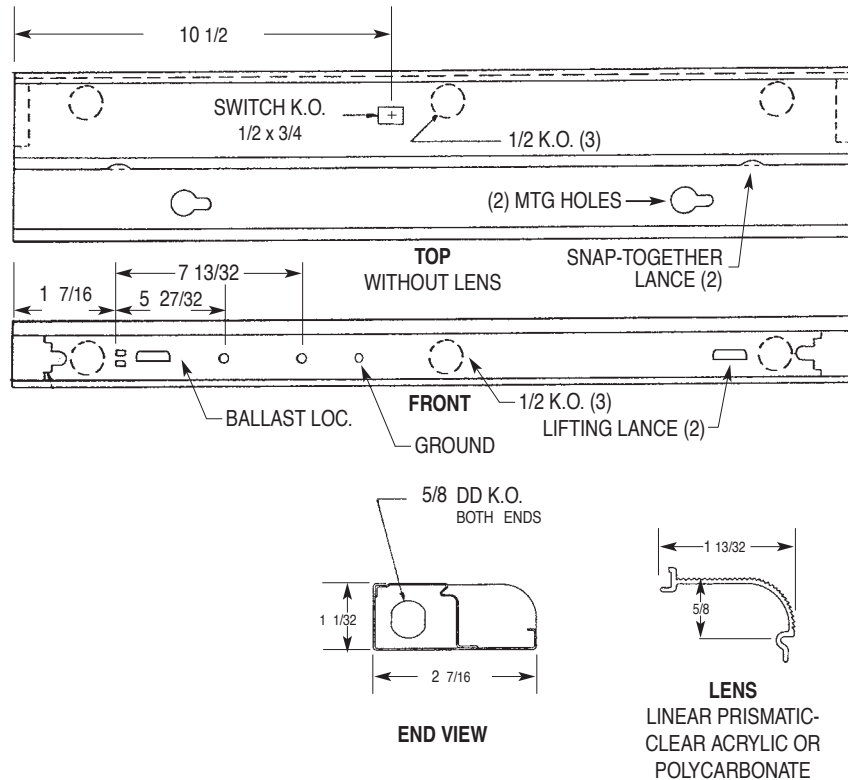
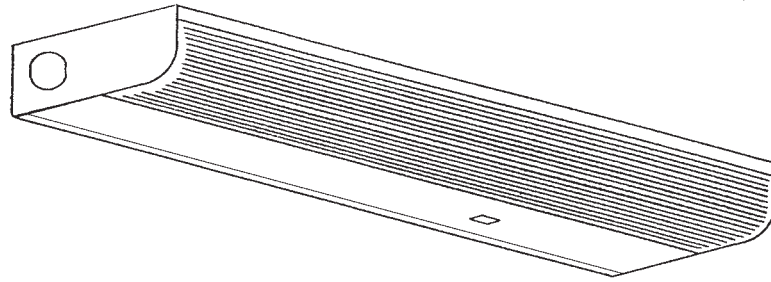
**WARRANTY:** 5 Year Limited Warranty on housing and electronics. Complete warranty and terms located at: [www.aelnow.com/warranty](http://www.aelnow.com/warranty).

## ORDERING INFORMATION Example: LBTN-40-S-RWA-M-W-46

SERIES	COLOR TEMP	ILLUMINATION	LENS	VOLTAGE	COLOR	LENGTH
LBTN	27 2700K 30 3000K 35 3500K 40 4000K 50 5000K	.5L 500 Lumens .75L 750 Lumens 1L 1000 Lumens 1.5L 1500 Lumens 2L 2000 Lumens 2.5L 2500 Lumens 3L 3000 Lumens 3.5L 3500 Lumens 4.3L 4300 Lumens 5L 5000 Lumens 6L 6000 Lumens (MAX) XXXXL Custom Lumens (cannot exceed 6000 Lumens)	RP Ribbed White Polycarbonate	M Multi-Volt (120-277VAC)	W White SP Custom	12 12 3/16" 22 22-19/32" 24 24-7/16" 34 34-7/16" 46 46-7/32"
<b>OPTIONS</b>		<b>PULL CHAIN OPTION</b>		<b>OUTLET OPTIONS</b>		
14EBL 14 Watt Emergency Ballast* AM Antimicrobial Paint 90 90 CRI		PC Pull Chain RS Rocker Switch		CO Convenience Outlet		

\*Remote mounted only

## LBTN UNDER CABINET LUMINAIRE



OUTPUT	DELIVERED LUMENS	SYSTEM WATTAGE	L70 @ 20C (HRS)
.5L	500 LUMENS	3.1	>100K
.75L	750 LUMENS	4.7	>100K
1L	1000 LUMENS	6.2	>100K
1.5L	1500 LUMENS	9.3	>100K
2L	2000 LUMENS	12.5	>100K
2.5L	2500 LUMENS	15.6	>100K
3L	3000 LUMENS	18.7	>100K
3.5L	3500 LUMENS	22.9	>100K
4.3L	4300 LUMENS	26.8	>100K
5L	5000 LUMENS	31.2	>100K
6L	6000 LUMENS (MAX)	37.5	>100K

### ENERGY AND PERFORMANCE DATA

INPUT VOLTAGE	120/277VAC
SYSTEM INPUT POWER	3.1 TO 37.5 WATTS*
DELIVERED LUMEN OUTPUT	500 - 6000 LUMENS
STANDARD DIMMING CONTROL	0-10V
CCT	3000, 3500, 4000, 5000, 8000 KELVIN
CRI	80 (MINIMUM)
LIFE TIME RATING	100,000 HRS @ L70
INPUT FREQUENCY	50/60 HZ
POWER FACTOR	>0.9
OPERATING TEMP	-20° TO 40° C

\*ACTUAL WATTAGE MAY DIFFER BY ± 5% WHILE OPERATING 120/277 V ± 10%