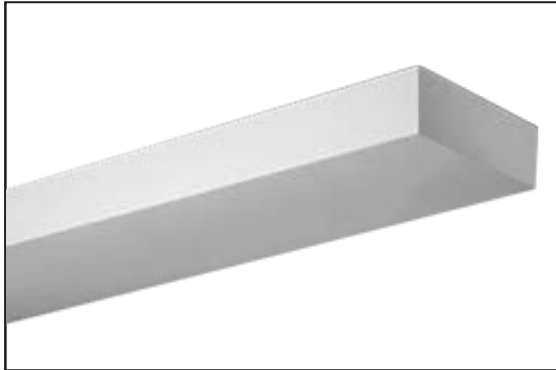


LASQLID

Low Profile Pendant Lighting
Indirect Only



STANDARD | OPTIONAL



PRODUCT SPECIFICATIONS

DESCRIPTION

The LASQLID Series is an LED Pendant Mount Linear fixture available for stand-alone or continuous run applications.

APPLICATIONS

The LASQLID Series were designed to be high quality, energy efficient LED fixtures for use in corridors, offices, government facilities, schools, and public areas.

CONSTRUCTION

Our LASQLID is constructed of a heavy gauge cold rolled steel body. Units are shipped with die cast aluminum joiners installed for structural continuity and for attaching other units for continual runs.

OPTICAL SYSTEM

White polyester polymer finish with a high reflectivity. A computer designed optical system that maximizes the output of the lamps producing very wide distribution for even ceiling brightness with mounting from 12 to 18 inches from the ceiling.

ELECTRICAL SYSTEM

Electronic drivers are available for 120/277V applications, 0-10V Dimming driver included standard. Long-life LED system rated for >120K life hours (L70 @ 25°C). Metal gear tray for internal LED driver. Complies with federal energy efficiency standards.

MOUNTING

Designed to mount on exact 4 foot and 8 foot centers. Joiners will accept stems, single cable and power cords as supplied by others.

LISTINGS

UL and cUL Listed. Damp location rated.

WARRANTY

5-Year Limited Warranty. Complete warranty and terms located at www.aelnow.com/resources.

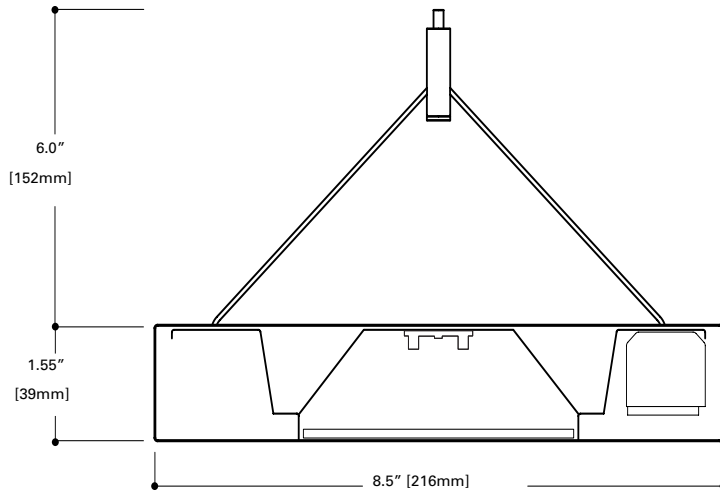
ORDERING INFORMATION

Example: LASQLID40SSMW4

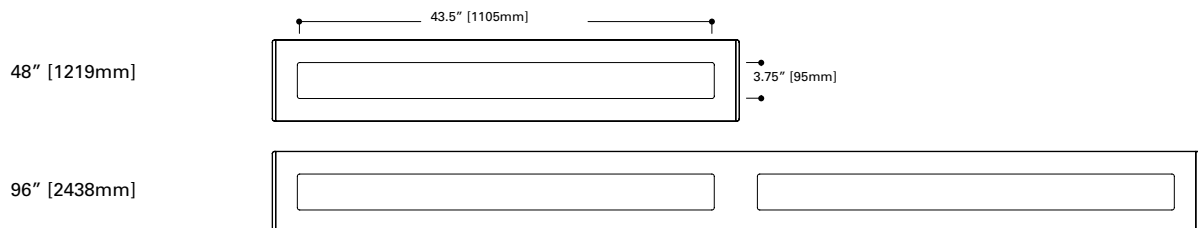
SERIES	CCT	OUTPUT UP	LENS	VOLTAGE	FINISH	ROW LENGTH	
LASQLD	30	3000K	S Standard	S Satin	M 120/277 (Multi-Volt)	W White	2 2 Feet
	35	3500K	HS High Standard	A12 .100 #12 Acrylic		SP Special	3 3 Feet
	40	4000K	M Medium				4 4 Feet
	50	5000K	HM High Medium				5 5 Feet
							6 6 Feet
						7 7 Feet	
						8 8 Feet	
						XX XX Feet	

DRIVER OPTIONS	OPTIONS	HANGING OPTIONS	WIRING HARNESS
BLANK 0-10V Dimming Driver (included standard)	12EBL 1200 Lumen Emergency Ballast	RPXX Rigid Pendant (Power Feed Capable) - Specify Length (XX)	
CD1 0-10V 1% to Off Dimming Driver	FW Flex Whip Cable 6'	RPS Rigid Pendant Swivel (Power Feed Capable) - Specify Length (XX)	
CD5 0-10V 5% to Off Dimming Driver	VDO Lutron Vive Integral fixture control (RF with Daylight and Occupancy Sensing)	CPY50 Cord Pendant (No Power Feed) 50' Y-Hanger	
EDN Electronic Driver Non-Dimming	FCJ50 Lutron Vive Attached Fixture Control (RF Only for 0-10V Drivers)	CPPFY50 Cord Pendant (Power Feed Capable) 50' Y-Hanger Cord	
FLDD Fifth Light Dali, Dimming	45 45 Degree	CPY100 Pendant (No Power Feed) 100' Y-Hanger	
LDE1 Lutron Hi-lume 1% EcoSystem LED driver with Soft-on, Fade-to-Black dimming technology	90 90 Degree	CPPFY100 Cord Pendant (Power Feed Capable) 100' Y-Hanger	
PSQ02U Lutron T-Series 1% 2-Channel Tunable White			

FIXTURE DIMENSIONS



Fixture Lengths



ENERGY AND PERFORMANCE DATA

Input Voltage	120/277 VAC
Standard Dimming Control	0-10V
CCT	3000, 3500, 4000, 5000 Kelvin
CRI	82 (minimum)
Life Time Rating	>120,000 hrs at L70
Input Frequency	50/60Hz
Power Factor	>0.9
Operating Temp	Low Ambient -20°C/ High Ambient 50°C

LED SYSTEM DATA

Output	Delivered Lumens Per Foot	System Wattage Per Foot	CRI	LPW
Standard	506 Lm/Ft	3.3	82	148
High Standard	709 Lm/Ft	5.1	82	139
Medium	965 Lm/Ft	6.9	82	140
High Medium	1,468 Lm/Ft	10.3	82	143

ROW CONFIGURATIONS

AEL would like to double check your Bill of Material upon placement of your order if the number of rows and their individual row lengths are provided on the purchase order as follows:

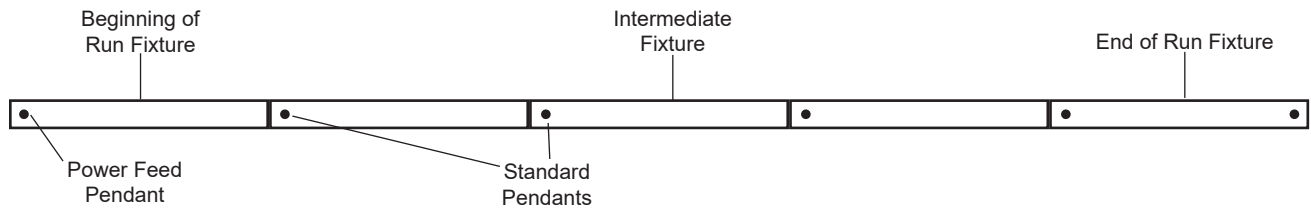
Row 1 - 8'

Row 2 - 8'

Row 3 - 24'

Row 4 - 24'

Please provide any additional pertinent information such as additional power drops required mid-row.



	Row Length	4'	8'	12'	16'	20'	24'	28'	32'	36'	40'	44'	48'
Fixture Length	4'	1		1		1		1		1		1	
	8'		1	1	2	2	3	3	4	4	5	5	6
Total Pendants Needed		2	2	3	3	4	4	5	5	6	6	7	7

Quick reference Output Guide Standard		
Length	Lumens	Wattage
2 Foot	1012	6.6
3 Foot	1518	9.9
4 Foot	2024	13.2
6 Foot	3036	19.8
8 Foot	4048	26.4

Quick reference Output Guide High Standard		
Length	Lumens	Wattage
2 Foot	1418	10.2
3 Foot	2127	15.3
4 Foot	2836	20.4
6 Foot	4254	30.6
8 Foot	5672	40.8

Quick reference Output Guide Medium		
Length	Lumens	Wattage
2 Foot	1930	13.8
3 Foot	2895	20.7
4 Foot	3860	27.6
6 Foot	5790	41.4
8 Foot	7720	55.2

Quick reference Output Guide High Medium		
Length	Lumens	Wattage
2 Foot	2936	20.6
3 Foot	4404	30.9
4 Foot	5872	41.2
6 Foot	8808	61.8
8 Foot	11744	82.4

PENDANT ORDERING DETAIL

A standard mounting pendant is needed for each fixture, plus one pendant with power feed capability per continuous row or circuit. Contact your AEL representative for additional information.

Pendant	Length
RP Rigid Pendant (Power Feed Capable)	XX Specify Pendant Length
CPY Cord Pendant Y-Hanger (No Power Feed)	(Replace "XX" with Row Length. Must Be Ordered in 1' Increments)
CPPFY Cord Pendant Y-Hanger (Power Feed Capable)	

