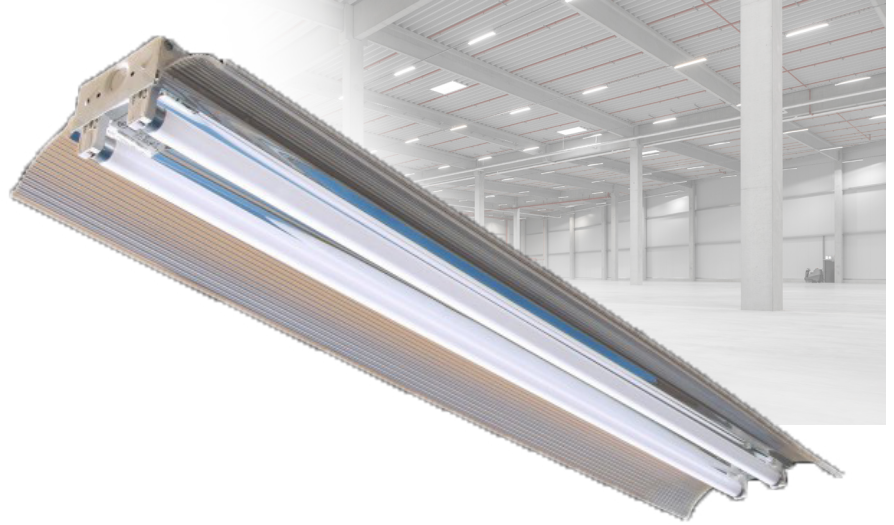


CSL

BEST QUALITY COMMERCIAL STRIP WIRED FOR OR WITHOUT LED TUBES



PRODUCT SPECIFICATIONS

The **CSL Series** is a Commercial Strip Wired for or with LED Tubes. The CSL Series is available in 2' through 8' body lengths. It was designed for surface or suspended mounting applications. Outdoor facilities, high rise garages, building exteriors, educational facilities, recreational facilities, and other intensive use environments are the perfect types of environments for the fixture of this nature.

APPLICATIONS: The CSL Series of Commercial Strips were designed to be high quality, energy efficient fixtures for use in commercial applications, offices, government facilities, schools, public areas, and industrial lighting applications.

CONSTRUCTION: The fixture is constructed of a heavy gauge cold rolled steel body.

OPTICAL SYSTEM: White polyester polymer finish with a high reflectivity. Multiple lamp configurations. Painted with 93% high reflective finish for maximum light output.

ELECTRICAL SYSTEM: 120-277 Volt Applications. Surface or pendant mount, individually or in continuous rows. Sufficient knockouts are provided. Double KO access on 4 ft and longer to facilitate wiring of units for multiple ballast configurations.

LISTINGS: UL and cUL Listed. Damp location rated.

WARRANTY: 5-Year Limited Warranty. Complete warranty and terms located at www.aelnow.com/warranty.

ORDERING INFORMATION

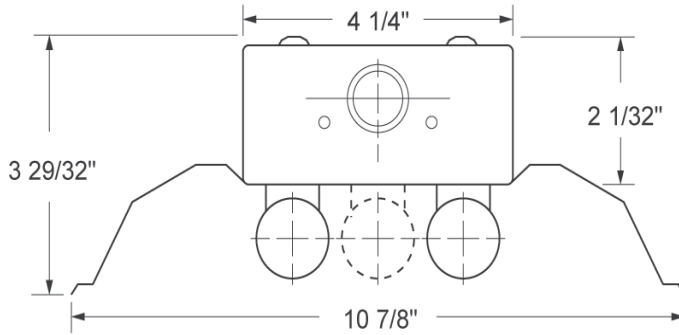
Example: CSL232SLED

SERIES	LAMPS	LAMP REPLACEMENT	REFLECTOR	WIRE APPLICATION	LED	WATTAGE OPTIONS	CCT	OPTIONS
CSL	1 1 Lamp 2 2 Lamps	17 17 Watt T8 Lamp Replacement 25 25 Watt T8 Lamp Replacement 32 32 Watt Lamp Replacement	S Solid CSR4 Symmetrical Reflector Specular 4'	BLANK Single Ended Wiring* DE Double Ended Wiring**	LED Wired for LED Lamps WT With Tubes included	10 10 Watt 36" or 48" 12 12 Watt 48" 15 15 Watt 36" or 48" 18 18 Watt 48" 20 20 Watt 48"	30 3000K 35 3500K 40 4000K 50 5000K	12EBL 1200 Lumen Emergency Ballast AC20 Aircraft Cable 20'

*Non-shunted sockets wired at one end (blank)

**Shunted sockets wired with white. opposite end wired with black (DE)

FIXTURE DIMENSIONS



FIXTURE LENGTHS

