



CATALOG #:
PROJECT:
TYPE:

## CLZ RECESSED LED CLEANROOM



The **CLZ** is an IP65, IC-rated luminaire which provides a cost-effective LED clean room lighting solution. Gasketed housing and door frame create a sealed enclosure. The CLZ is available in 1X4, 2x2 and 2x4 sizes. Available options such as anti-microbial paint, 90 CRI, and 14W emergency driver. Suitable for ISO 5 Cleanrooms. This fixture was designed for healthcare facilities, cleanrooms, and any insulated ceilings.

**DOORFRAME:** Inset door frame constructed of .063" aluminum (or choose from cold rolled steel options). White TGIC polyester powder coat standard, with optional anti-microbial white paint. Closed-cell gasket completely seals the doorframe and the housing.

**ELECTRICAL SYSTEM:** Electronic driver 0-10V 1% dimming standard. Long-life LED system rated for >100K hours (L70 @ 25°C). Complies with federal energy efficiency standards.

**OPTICAL SYSTEM:** A variety of lensing options are available to fit the needs of any application. If additional lensing options are needed, consult factory.

**LISTINGS:** Approved to CSA and ETL standards. Food Safe, NSF Listed. IP65 rating. ISO 5 certified.

**MOUNTING:** Recessed grid mounting.

**HOUSING:** Available in 18 or 20 gauge cold roll steel, or .063" aluminum. If options needed are not listed, consult factory. Seam-welded construction. Closed cell gasket seals doorframe to housing. White TGIC polyester powder coat standard. Antimicrobial paint optional.

**LED:** 80 CRI or 90 CRI LEDs available in 2700K, 3000K, 3500K, 4000K and 5000K. Life is 100,000 hours at 70% lumen maintenance. LM79, LM80 and TM21 compliant.

**WARRANTY:** 5-Year Limited Warranty. Complete warranty and terms located at [www.aelnow.com/warranty](http://www.aelnow.com/warranty).

Ordering Information on Next Page

## ORDERING INFORMATION:

Example: CLZ-24-40-11L-ALH-S-M-CD5-1

SERIES	SIZE	CCT	ILLUMINATION LEVEL	HOUSING	INSET DOOR FRAME	LENS
CLZ	14 1X4	27 2700K	2L 2000 Lumens	B20 20 Gauge Cold Roll Steel	B18 18 Gauge Cold Roll Steel	PA125 .125 Prismatic Acrylic (inverted)
	22 2X2	30 3000K	5L 5000 Lumens	ALH .063" Aluminum (Painted)	ALHINS .063" Aluminum Doorframe (Painted)	S Satin Lens
	24 2X4	35 3500K	7L 7000 Lumens			PA19 .156" Prismatic Acrylic #19
		40 4000K	9L 9000 Lumens			PA125 .125 Prismatic Acrylic (inverted)
		50 5000K	11L 11000 Lumens			PA156 .156 Prismatic Acrylic (inverted)
		ATTW Tunable White	13L 13000 Lumens			PA187 .187 Prismatic Acrylic (inverted)
			XX Custom Lumens			PP125 Prismatic Inner with .125 Clear Outer Poly
						SY Symmetric Diffused DR Acrylic
						125P .125 Clear Polycarbonate
						250P .250 Clear Polycarbonate
					CPOL Clear .125 Polycarbonate Outer Lens	
					CPOL250 Clear .250 Polycarbonate Outer Lens	

*Other lens options available, consult factory.*

VOLTAGE	DRIVER OPTIONS	CIRCUITS	OPTIONS
M Multi-Volt (120-277VAC)	BLANK 0-10V Dimming Driver (included standard)	1 1 Circuit	14EBL 14 Watt Emergency Ballast
HV 347-480VAC	CD5 0-10V 5% to Off Dimming Driver	2 2 Circuits	90 90 CRI
	EDN Electronic Driver Non-Dimming		AM Anti-Microbial White Paint
	DALI 1% Dali Dimming Driver		VDO Lutron Vive Integral Fixture Control (RF with Daylight and Occupancy Sensing)
	LDE1 Lutron Hi-lume 1% EcoSystem LED driver with Soft-on, Fade-to-Black dimming technology		CPOL Clear .125 Polycarbonate Outer Lens
	2TW1 2 Channel 0-10v Tunable White 1% Dimming Driver*		
	2TWS 2 Channel 0-10v Tunable White Dimming Driver Compatible with Casambi**		

\*Prewired with Tunable White LED boards and (2) 0-10v drivers installed  
 \*\*Prewired with Tunable White LED boards and Casambi ready fixture control

**Other options and configurations are available. Consult factory for details.**

Dimensions on Next Page

### ENERGY AND PERFORMANCE DATA

INPUT VOLTAGE:	120/277VAC
SYSTEM INPUT POWER:	13.9 - 81.3 WATTS*
DELIVERED LUMEN OUTPUT:	4000 - 13000 LUMENS
STANDARD DIMMING CONTROL:	0-10V
CCT:	2700, 3000, 3500, 4000, 5000 KELVIN
CRI:	82 (MINIMUM)
LIFE TIME RATING:	>100,000 HRS @ L70
INPUT FREQUENCY:	50/60 HZ
POWER FACTOR:	>0.9
OPERATING TEMP:	-30° TO 50° C

APPROXIMATE COLOR TEMPERATURE MULTIPLIER

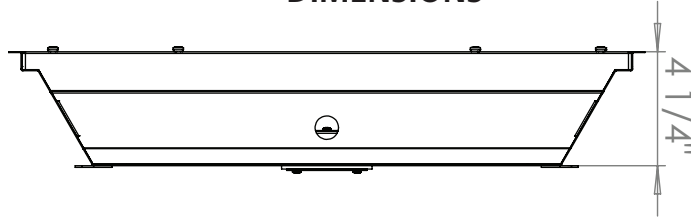
5000K	X	1.03
4000K	X	1
3500K	X	.97
3000K	X	.94
2700K	X	.91

PART#	DELIVERED LUMENS	WATTS	L70 @20C (HRS)
2L	2000	12.5	>100K
4L	4000	25.0	>100K
8L	8000	50.0	>100K
11L	11000	68.8	>100K
12L	12000	75.0	>100K
13L	13000	81.3	>100K

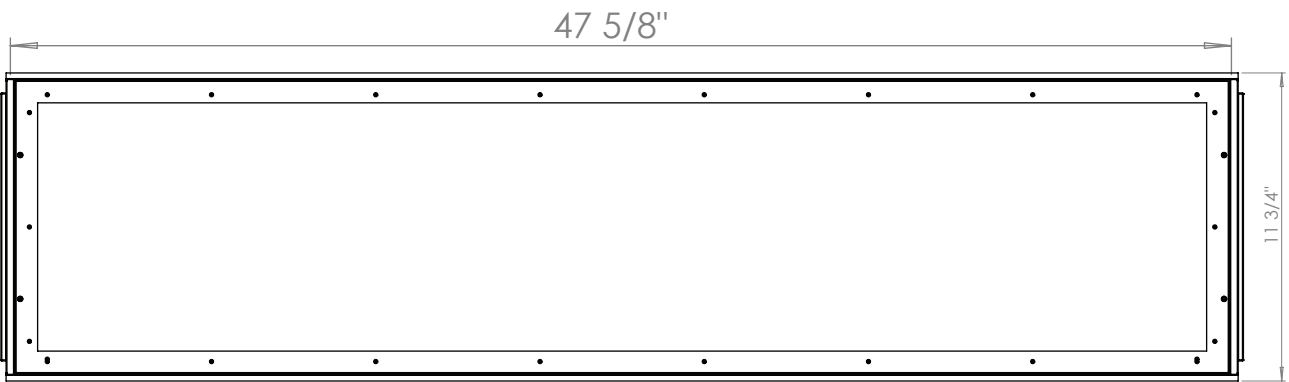
\*ACTUAL WATTAGE MAY DIFFER BY ±5% WHILE OPERATING 120/277V ±10%

**DIMENSIONS**

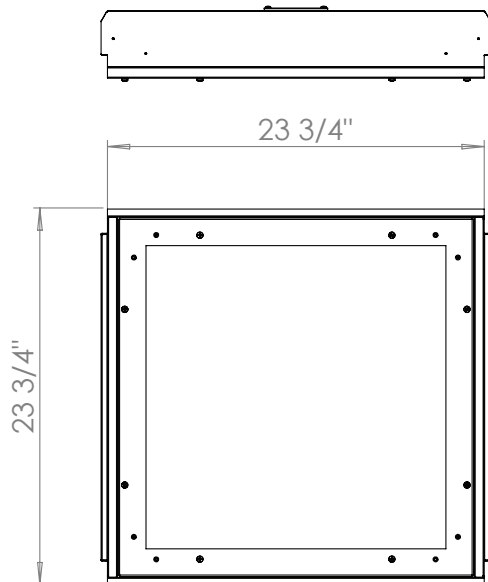
**PROFILE**



**1X4**



**2X2**



**2X4**

