



CATALOG #:

PROJECT:

TYPE:

# CLT

TOP ACCESS  
LED CLEAN ROOM



NEW



*Advantage Tune Available\**

The **CLT** is a top-access LED Clean Room luminaire crafted to be one of the highest quality clean room fixtures on the market. Created for use in Cleanrooms, Laboratories, Commercial Kitchens, Food Processing Facilities, Hospitals, Manufacturing, and areas where an ISO4 rated clean room luminaire is needed. The CLT is completely customizable with your choice of housing, doorframe, and lensing materials. Utilizing the latest in LED technology, the CLT provides an extremely long lifespan, and some of the highest efficacy LEDs on the market today.

**DOORFRAME:** Cold Roll Steel, Stainless Steel, or Aluminum options. White TGIC polyester powder coat standard, with optional Anti-Microbial Paint. Door-frame secured to housing with stainless steel aircraft cables and captive flush mounted Phillips head stainless steel fasteners. Neoprene gasket completely seals the doorframe and the housing.

**DOORFRAME GASKET:** Neoprene gasket seals doorframe to housing.

**ELECTRICAL SYSTEM:** Electronic 1% dimming driver standard. Various driver options available.

**OPTICAL SYSTEM:** A variety of lensing options are available to fit the needs of any application.

**LISTINGS:** Approved to CSA and ETL standards. ISO4 Rated. ETL listed. NSF Listed. Food Safe. IP65 ratings.

**LENS:** Various lensing options available. Additional lensing options available, consult factory. Lenses inverted to smooth side out.

**MOUNTING:** Recessed Grid or Flanged mounting options available. Additional custom mounting options available, consult factory.

**HOUSING:** Housing options available in cold roll steel, stainless steel, and aluminum variations. Seam-welded construction. All doors attached to the housing with two stainless steel aircraft cables, and are completely sealed with closed cell neoprene gaskets. Stainless steel Philips head screws painted to match door finish to secure door frame to housing. White TGIC polyester powder coat standard. Anti-microbial paint optional.

**LED:** 80 CRI or 90 CRI LEDs available in 2700K, 3000K, 3500K, 4000K and 5000K. Life is 100,000 hours at 70% lumen maintenance. LM79, LM80 and TM21 compliant.

**WARRANTY:** 5-Year Limited Warranty. Complete warranty and terms located at [www.aelnow.com/warranty](http://www.aelnow.com/warranty).

Ordering Information on Next Page ►

## ORDERING INFORMATION:

Example: CLT-22-40-13L-B20-B20-250P-M-1-90

SERIES	SIZE	CCT	ILLUMINATION LEVEL	HOUSING	DOOR MATERIAL	LENS
CLT	22 2X2	27 2700K	4L 4000 Lumens	B16 16 Gauge Cold Roll Steel	B16 16 Gauge Cold Roll Steel	A125 .125 Clear Acrylic
	24 2X4	30 3000K	7L 7000 Lumens	B18 18 Gauge Cold Roll Steel	B18 18 Gauge Cold Roll Steel	125P .125 Clear Polycarbonate
CLT-F (for FLANGE mounting)		35 3500K	11L 11000 Lumens	B20 20 Gauge Cold Roll Steel	B20 20 Gauge Cold Roll Steel	187P .187 Clear Polycarbonate
		40 4000K	12L 12000 Lumens	SH16 16 Gauge Stainless Steel	SH16 16 Gauge Stainless Steel	250P .250 Clear Polycarbonate
		50 5000K	13L 13000 Lumens	SH18 18 Gauge Stainless Steel	SH18 18 Gauge Stainless Steel	PA125 .125 Prismatic Acrylic
		ATTW Tunable White	15L 15000 Lumens	SHB18 18 Gauge Stainless Steel (Brushed)	SHB18 18 Gauge Stainless Steel (Brushed)	PA156 .156 Prismatic Acrylic
CLT-G (for GRID mounting)			16L 16000 Lumens	ALH .063 Aluminum	ALH .063 Aluminum	PP125 .125 Prismatic Polycarbonate
			20L 20000 Lumens			PP187 .187 Prismatic Polycarbonate
			25L 25000 Lumens			PHA125 .125 Prismatic High Impact Acrylic
			XX Custom Lumens			PHA140 .140 Prismatic High Impact Acrylic

VOLTAGE	DRIVER OPTIONS	CIRCUITS	OPTIONS
M Multi-Volt (120-277VAC)	BLANK 0-10V Dimming Driver (included standard)	1 1 Circuit	14EBL 14 Watt Emergency Ballast
HV 347-480VAC	CD5 0-10V 5% to Off Dimming Driver	2 2 Circuits	90 90 CRI
	EDN Electronic Driver Non-Dimming		AM Anti-Microbial Paint
	DALI 1% Dali Dimming Driver		VDO Lutron Vive Integral RF Controller with Daylight and Occupancy Sensing
	LDE1 Lutron Hi-lume 1% EcoSystem LED driver with Soft-on, Fade-to-Black dimming technology		TRX T25 Torx Head Screws with Center Pin Reject
	2TW1 2 Channel 0-10v Tunable White 1% Dimming Driver*		
	2TWCS 2 Channel 0-10v Tunable White Dimming Driver Compatible with Casambi**		

\*Prewired with Tunable White LED boards and (2) 0-10v drivers installed  
 \*\*Prewired with Tunable White LED boards and Casambi ready fixture control

*Other options and configurations are available. Consult factory for details.*

Dimensions on Next Page 

### ENERGY AND PERFORMANCE DATA

INPUT VOLTAGE:	120/277VAC
SYSTEM INPUT POWER:	27.8 - 173.4 WATTS*
DELIVERED LUMEN OUTPUT:	4000 - 25000 LUMENS
STANDARD DIMMING CONTROL:	0-10V
CCT:	3000, 3500, 4000, 5000 KELVIN
CRI:	82 (MINIMUM)
LIFE TIME RATING:	>100,000 HRS @ L70
INPUT FREQUENCY:	50/60 HZ
POWER FACTOR:	>0.9
OPERATING TEMP:	-30° TO 50° C

### APPROXIMATE COLOR TEMPERATURE MULTIPLIER

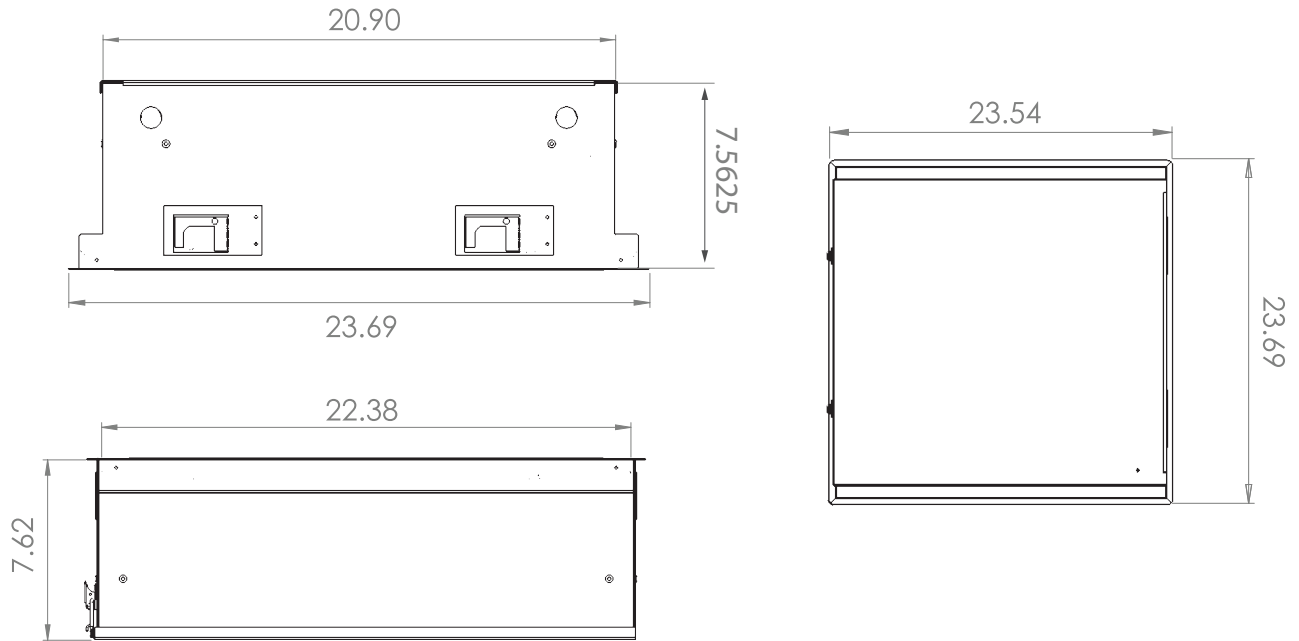
5000K	X	1.03
4000K	X	1
3500K	X	.97
3000K	X	.94
2700K	X	.91

OUTPUT	DELIVERED LUMENS	WATTS	L70 @20C (HRS)
4L	4000 LUMENS	27.8	>100K
7L	7000 LUMENS	48.5	>100K
11L	11000 LUMENS	79.3	>100K
12L	12000 LUMENS	83.2	>100K
13L	13000 LUMENS	90.1	>100K
15L	15000 LUMENS	104	>100K
16L	16000 LUMENS	110.1	>100K
20L	20000 LUMENS	138.7	>100K
25L	25000 LUMENS	173.4	>100K

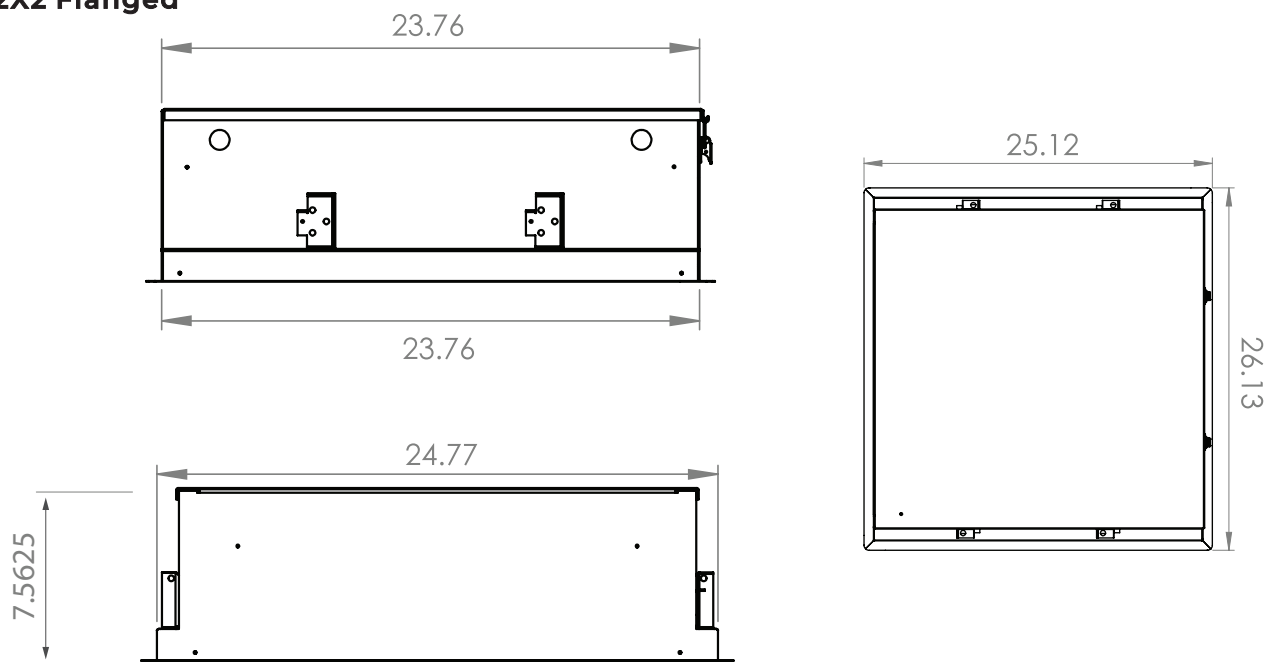
\*ACTUAL WATTAGE MAY DIFFER BY ±5% WHILE OPERATING 120/277V ±10%

## DIMENSIONS

### 2X2 Grid



### 2X2 Flanged



## DIMENSIONS

### 2X4 Grid

