



CATALOG #:

PROJECT:

TYPE:

# CLPIMP

CLEAN ROOM TOP  
ACCESS TROFFER  
FOR INSULATED METAL  
PANEL CEILINGS



FOR 4", 5" OR  
6" INSULATED CEILINGS



The **CLPIMP** is ideal for biomedical labs, food processing/testing centers, pharmaceutical labs, government facilities, schools and public areas. The CLPIMP is a top access clean room recessed luminaire for IMP ceilings. 625lb load tested to reduce the hazard of foot traffic. One piece overlapping door provides easy cleaning and air-tight integrity of luminaire. Food Zone/Non-Contact listing, ideal for food processing applications.

**HOUSING:** One piece, seam welded 14 gauge heavy duty cold roll steel construction, painted white. Panel is sealed with a one piece neoprene gasket to housing inner surface. Designed for Recessed Installation into 4" Insulated Metal Panel (IMP) Ceilings (5" and 6" Optional).

**DOOR FRAME:** 16ga painted white cold rolled steel doorframe, or heavy gauge polished, painted, or brushed stainless steel doorframe as options. Consult factory for additional options. Screwless doorframe design. One-piece closed cell extruded gasket seals unit to housing and ceiling structure.

**OPTICAL SYSTEM:** High output LED's available in 3000K, 3500K, 4000K, and 5000K. CRI >82. 90 CRI available. Various lensing options available, see ordering options. Consult factory for additional lens options. (more options available).

**ELECTRICAL SYSTEM:** 0-10V 1% Dimming Driver included standard. Long-life LED system rated for >100K life hours (L70 @ 50°C). Complies with federal energy efficiency standards

**MOUNTING:** Standard for recessed installation into 4" Insulated Metal Panel (IMP) ceilings (5" and 6" optional).

**LISTINGS:** ETL Listed. NSF compliant design. IP66 rating. Suitable for FED-STD-209E/Class 1 (ISO 3), Biosafety Labs Rated BSL 3 and 4, as well as EU GMP Grade A Clean rooms. Suitable for 1700 PSI high pressure hosedowns. Manufactured in the USA, BAA and BABA compliant. Ambient operating temperature up to 50°C (122°F). IC-Rated for direct contact with insulation.

**WARRANTY:** 5-Year Limited Warranty. Complete warranty and terms located at [www.aelnow.com/warranty](http://www.aelnow.com/warranty).

Ordering Information on Next Page ►

## ORDERING INFORMATION:

Example: CLPIMP-22-4-40-26L-B16-PP125-M-2C

SERIES	SIZE	DEPTH	CCT	ILLUMINATION LEVEL	DOOR FRAME	LENS
CLPIMP	22 2'X2'	4 4" Deep	30 3000K		B16 16 Gauge Cold Roll Steel (standard)	PA125 .125 Prismatic Acrylic (inverted)
	24 2'X4'	5 5" Deep	35 3500K		SH16 16 Gauge Stainless Steel (Polished 304)	PA156 .156 Prismatic Acrylic (inverted)
	6 6" Deep	40 4000K	11L 11000 Lumens		SH166 16 Gauge Stainless Steel (Polished 316)	PA187 .187 Prismatic Acrylic (inverted)
		50 5000K	12L 12000 Lumens		SHP16 16 Gauge Stainless Steel (Painted 304)	PP125 Prismatic Inner with .125 Clear Outer Polycarbonate
		ATTW Tunable White	13L 13000 Lumens		SH18 18 Gauge Stainless Steel (Polished 304)	SY Symmetric Diffused Frosted DR Acrylic
			15L 15000 Lumens		SH186 18 Gauge Stainless Steel (Polished 316)	125P .125 Clear Polycarbonate
			16L 16000 Lumens		SH186 18 Gauge Stainless Steel (Polished 316)	250P .250 Clear Polycarbonate
			20L 20000 Lumens		SHP18 18 Gauge Stainless Steel (Painted 304)	CPOL Clear .125 Polycarbonate Outer Lens
			26L 25000 Lumens			
			30L 30000 Lumens			
			XX Custom Lumens			

VOLTAGE	DRIVER OPTIONS	OPTIONS
M Multi-Volt (120-277VAC)	BLANK 0-10V Dimming Driver (included standard)	14EBL 14 Watt Emergency Driver
HV 347-480VAC	CD5 0-10V 5% to Off Dimming Driver	FH Fuse and Holder (1 per circuit)
	EDN Electronic Driver Non-Dimming	2C Two Drivers (2 circuits)
	DALI 1% Dimming DriverLDE1	IS Internal Occupancy Sensor (Microwave)
	Lutron Hi-lume 1% EcoSystem LED driver with Soft-on, Fade-to-Black dimming technology	AM Anti-Microbial White Paint
	2TW1 2 Channel 0-10v Tunable White 1% Dimming Driver*	VDO Lutron Vive Integral fixture control (RF with Daylight and Occupancy Sensing)
	2TWCS 2 Channel 0-10v Tunable White Dimming Driver Compatible with Casambi**	90 90 CRI

\*Prewired with Tunable White LED boards and (2) 0-10v drivers installed  
 \*\*Prewired with Tunable White LED boards and Casambi ready fixture control

*Other options and configurations are available. Consult factory for details.*

Dimensions on Next Page

### ENERGY AND PERFORMANCE DATA

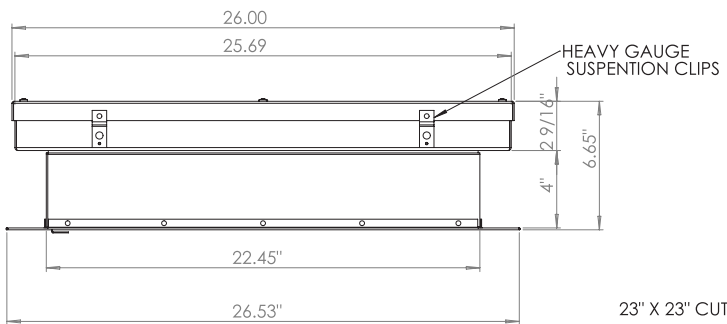
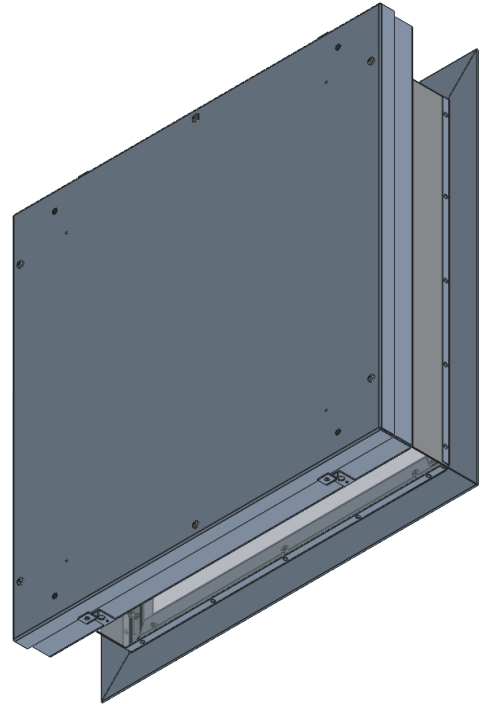
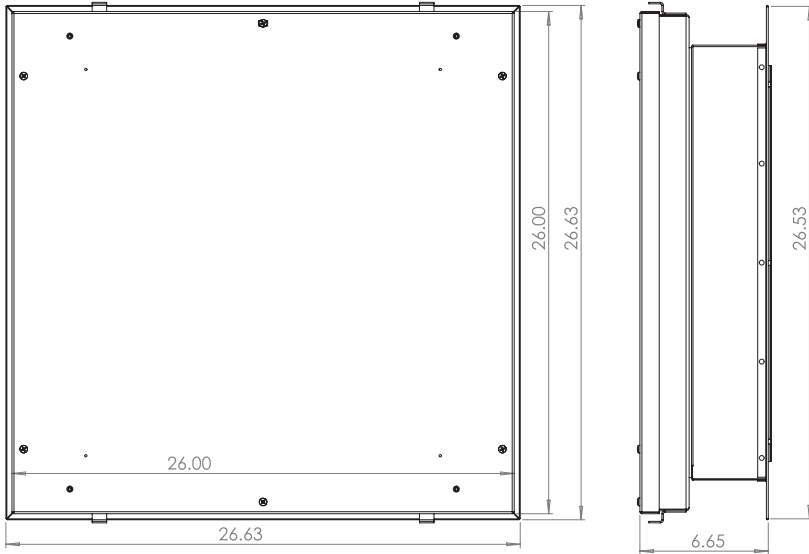
INPUT VOLTAGE:	120/277VAC
SYSTEM INPUT POWER:	25.0 - 187.5 WATTS*
DELIVERED LUMEN OUTPUT:	4000 - 30000 LUMENS
STANDARD DIMMING CONTROL:	0-10V
CCT:	3000, 3500, 4000, 5000 KELVIN
CRI:	82 (MINIMUM)
LIFE TIME RATING:	>100,000 HRS @ L70
INPUT FREQUENCY:	50/60 HZ
POWER FACTOR:	>0.9
OPERATING TEMP:	-30° TO 50° C

\*ACTUAL WATTAGE MAY DIFFER BY ±5% WHILE OPERATING 120/277V ±10%

PART#	DELIVERED LUMENS	WATTS	L70 @20C (HRS)
4L	4000 LUMENS	25.0	>100K
7L	7000 LUMENS	43.8	>100K
11L	11000 LUMENS	68.8	>100K
12L	12000 LUMENS	75.0	>100K
13L	13000 LUMENS	81.3	>100K
15L	15000 LUMENS	93.8	>100K
16L	16000 LUMENS	100.0	>100K
20L	20000 LUMENS	125.0	>100K
26L	26000 LUMENS	163.0	>100K
30L	30000 LUMENS	187.5	>100K

**DIMENSIONS**

**STANDARD UNIT FOR 4" CEILINGS.**



23" X 23" CUT OUT SIZE

**2X2**