

CLN

CLEANROOM
LED VAPOR TIGHT



The CLN Series is a Clean Room LED Vapor Tight, gasketed enclosure that is completely dust and moisture resistant. The CLN utilizes state-of-the-art LED technology to deliver the highest possible efficiency in the lighting industry.

The CLN Series of LED Vapor Tights were designed to be high quality, energy efficient LED fixtures for use in applications such as pharmaceutical manufacturing facilities, food processing facilities, electrical component manufacturing facilities, and any application that needs an economical surface mount clean room solution. Suitable for both indoor and outdoor applications.

CONSTRUCTION: The fixture is constructed of a fiberglass housing with a VA (f1) FRP UL rating, and an acrylic or polycarbonate diffuser securely positioned in a permanent, poured-in-place, polyurethane sealing gasket. The diffuser and upper components are locked in place and sealed tightly with polycarbonate retaining latches or optional stainless steel latches. High impact acrylic/DR material diffuser composition. Positive cam latches. Polyethylene molded end plugs.

OPTICAL SYSTEM: High output LED's available in 2700K, 3000K, 3500K, 4000K, and 5000K. CRI >82. Diffuser softens light dissipation for even light coverage. Various lens materials available.

ELECTRICAL SYSTEM: 0-10V dimming driver included standard. Long-life LED system rated for >120K life hours (L70 @ 25°C). Metal gear tray for internal LED driver. Complies with federal energy efficiency standards.

CONTROLS: The fixture is compatible with 0-10V dimming controls, 0-10V dimming driver included standard. 50% step dimming is available upon request.

MOUNTING: The fixture can be suspended or surface mounted. Optional top only hub entry or combination top and end hub entry available for stem mounting applications. Die formed galvanized mounting brackets come standard. No holes required for mounting. Unitized internal/external brass mounting stud for structural integrity and continuity of ground. Surface mounting brackets included.



LISTINGS: Independently tested to IESNA LM-79 and LM-80 specifications. ETL and cETL Listed. CSA approved. NSF International Certified. IP65, IP66 and IP67 Certified for Wet Location applications. Proudly made in America. Manufactured in Fort Worth, Texas.

WARRANTY: 5-Year Limited Warranty. Complete warranty and terms located at www.aelnow.com/warranty.

ORDERING INFORMATION:

Example: CLN-2-30-5L-M-RA-W-OWS

SERIES	LENGTH	CCT	OUTPUT (LUMENS)	WATTAGE	LENS OPTIONS	DISTRIBUTION	OPTIONS	
CLN	2	27.69" Overall	27 2700K 30 3000K	M Multi-Volt (120-277VAC)	BLANK Shallow Lens Acrylic (Smooth Frosted) RA Acrylic Ribbed (Clear) RAF Acrylic Ribbed (Frosted) DAF Deep Lens Acrylic (Smooth Frosted) DAS Deep Lens Acrylic (Smooth Clear) SA Shallow Lens Acrylic (Smooth Clear) SPF Shallow Lens Polycarbonate (Smooth Frosted) SPS Shallow Lens Polycarbonate (Smooth Clear)	BLANK Narrow W Wide	12EBL 1200 Lumen Emergency Ballast	
	4	51.65" Overall	35 3500K 40 4000K				2L 2000 3L 3000 5L 5000 7L 7000 10L 10,000 14L 12,000 18L 18,000 25L 25,000 XXXL Custom	OWS On/Off Occupancy Sensor (IP66)
	8	99.65" Overall	50 5000K					DWS Dimming Occupancy Sensor (IP66)
								OC4EX On/Off Occupancy Sensor (Indoor Use)
								1P Single Pendant w/ Reinforcement Plate (Pendant Supplied by Others)
								2F Double Pendant w/ Reinforcement Plate (Pendant Supplied by Others)
								SSL Stainless Steel Latches
								SSLTP Stainless Steel Latches Tamper Proof
								PTP Polycarbonate Tamper Proof Latches
								LDE1 Lutron LDE1 Hi-Lume 1% EcoSystem Fade-To-Black Driver Upgrade
				SB Bail Clip (316 Stainless Steel)				
				45WMB 45° Wall Mount Bracket (316 Stainless Steel)				
				90 90 CRI				
				FB Internal Fast Blow Fuse				
				SB Internal Slow Blow Fuse				

Delivered lumens vary based on length of unit. Consult factory for more info.

Dimensions on Next Page

ENERGY AND PERFORMANCE DATA

INPUT VOLTAGE:	120/277VAC
SYSTEM INPUT POWER:	13 - 157 WATTS*
DELIVERED LUMEN OUTPUT:	2000 - 25000 LUMENS
STANDARD DIMMING CONTROL:	0-10V
CCT:	2700, 3000, 3500, 4000, 5000 KELVIN
CRI:	82 (MINIMUM)
LIFE TIME RATING:	>100,000 HRS @ L70
INPUT FREQUENCY:	50/60 HZ
POWER FACTOR:	>0.9
OPERATING TEMP:	-30° TO 50° C

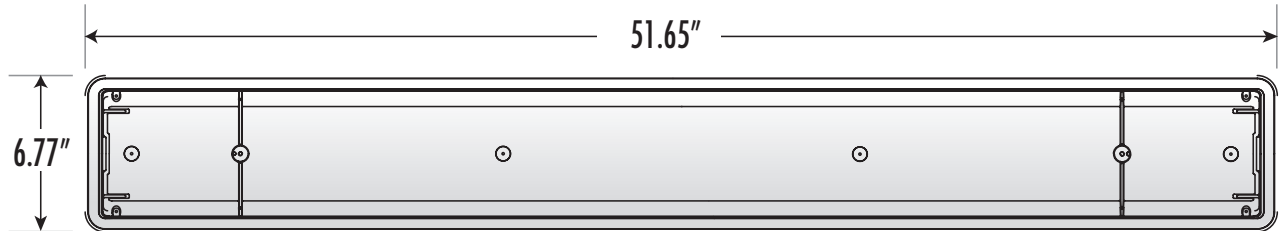
*ACTUAL WATTAGE MAY DIFFER BY ±5% WHILE OPERATING 120/277V ±10%

APPROXIMATE COLOR TEMPERATURE MULTIPLIER

5000K	X	1.03
4000K	X	1
3500K	X	.97
3000K	X	.94
2700K	X	.91

PART#	DELIVERED LUMENS	WATTS	L70 @20C (HRS)
2L	2000 LUMENS	12.5	>150
3L	3000 LUMENS	20.9	>150
4L	4000 LUMENS	25.0	>100K
7L	7000 LUMENS	43.8	>100K
11L	11000 LUMENS	68.8	>100K
12L	12000 LUMENS	75.0	>100K
13L	13000 LUMENS	81.3	>100K
15L	15000 LUMENS	93.8	>100K
16L	16000 LUMENS	100.0	>100K
20L	20000 LUMENS	125.0	>100K
25L	25000 LUMENS	156.3	>100K

FIXTURE DIMENSIONS



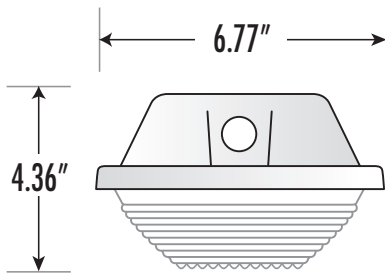
FIXTURE ANALYSIS

DIMENSIONS: 51.65" X 6.77" X 4.25"
MOUNTING: SURFACE OR SUSPENSION
WEIGHT: 12 LBS
WARRANTY: 5-YEAR LIMITED

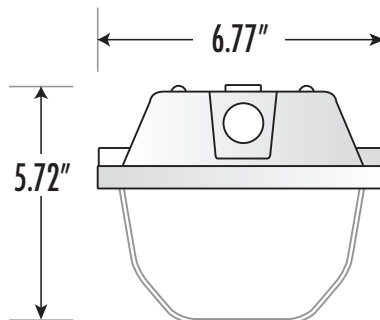
LENS DIMENSIONS

STANDARD: 1.92" X 6.40"
DEEP: 3.50" X 6.40"
SHALLOW: 1.92" X 6.40"

HIGH IMPACT



DEEP LENS



SHALLOW LENS

