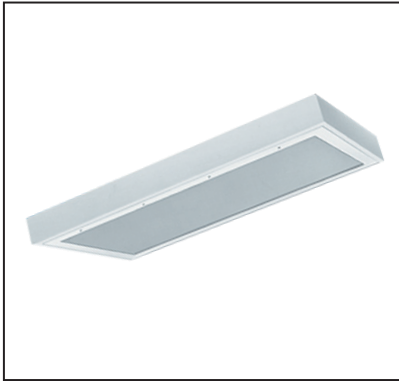


Catalog Number
Project
Type

## CLL

### Surface Mount LED Clean Room



Surface Mount  
1x1/1x2/1x4  
2x2/2x4  
Inset Door

STANDARD | OPTIONAL



#### DESCRIPTION

The CLL is suitable for use in clean room environments technical and biomedical labs, food processing/testing centers and pharmaceutical labs. CLL is available in 1x1, 1x2, 1x4, 2x2 and 2x4 sizes. This surface mounted luminaire utilizes a one-piece housing, security lensing and stainless steel fasteners.

#### FASTENERS

Stainless steel screws are standard. Allen-head screws with center reject pin are optional.

#### ELECTRICAL SYSTEM

Electronic, standard 0-10V.

#### OPTICAL SYSTEM

Various lensing options available, consult factory for additional options. Lens secured by thru-studs and vertically adjustable internal CRS hold-downs.

#### LISTINGS

UL listed for damp locations. Wet location available.

#### FINISH

High gloss, electrostatically applied, white powder coat finish, average minimum reflectance 92%

#### HOUSING

Die-formed 12-20 ga. CRS body with continuous welded and ground ends to form a one piece, seamless housing for maximum impact resistance.

#### LED

80 CRI or 90 CRI LEDs available in 2700K, 3000K, 3500K, 4000K and 5000K. Life is 100,000 hours at 70% lumen maintenance.

#### HINGE

Continuous, stainless steel piano hinge (1/4" diameter knuckle) with welded pin end to prevent removal.

#### DOOR

One-piece, CRS door frame with die-formed edges and tightly closed corners increases rigidity. Door gauge to match housing.

#### DOORFRAME GASKET

One-piece closed cell silicone gasket seals doorframe to housing.

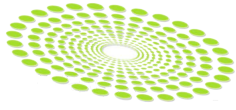
#### WARRANTY

5 - Year Limited Warranty. Complete warranty and terms located at: [www.aelnow.com/warranty](http://www.aelnow.com/warranty)

Output	Delivered Lumens	System Wattage	L70 @20C (hrs)
SL	4650	33	>100K
ML	7974	57	>100K
HL	11150	80	>100K
SM	12040	86	>100K
MM	13016	93	>100K
HM	15728	112	>100K
SH	16500	118	>100K
MH	20000	143	>100K
HH	25000	179	>100K

Approximate Color Temperature Multiplier	
5000K	1.03
4000K	1
3500K	0.97
3000K	0.94
2700K	0.91

\* Delivered Lumens shown were tested with 4000K LEDs and ASR (asymmetric/symmetric grid) lens.



# Advantage

Environmental Lighting

Catalog  
Number

Project

Type

*Series	CCT	*Illumination Level	Housing
<b>CLL1</b> 1x1	<b>27</b> 2700K	<b>SL</b> Standard Low	<b>B12</b> Cold Roll 12 Gauge Steel
<b>CLL12</b> 1x2	<b>30</b> 3000K	<b>ML</b> Medium Low	<b>B14</b> Cold Roll 14 Gauge Steel
<b>CLL14</b> 1x4	<b>35</b> 3500K	<b>HL</b> High Low	<b>B16</b> Cold Roll 16 Gauge Steel
<b>CLL22</b> 2x2	<b>40</b> 4000K	<b>SM</b> Standard Medium	<b>B20</b> Cold Roll 20 Gauge Steel
<b>CLL24</b> 2x4	<b>50</b> 5000K	<b>MM</b> Medium Medium	<b>SH12</b> Stainless Steel 12 Gauge
		<b>HM</b> High Medium	<b>SH14</b> Stainless Steel 14 Gauge
		<b>SH</b> Standard High	<b>SH16</b> Stainless Steel 16 Gauge
		<b>MH</b> Medium High	
		<b>HH</b> High High	

**NOTES:**

**CLL1** - 1x1 & **CLL12** 1x2 only available up to **HL** - High Low

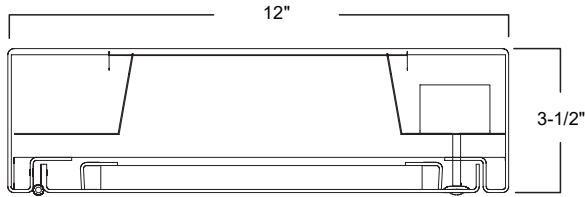
**CLL14** - 1x4 & **CLL22** - 2x2 only available up to **HM** - High Medium

Door Type	Lens	Voltage
<b>B12</b> Cold Roll 12 Gauge Steel	<b>N</b> No Lens	<b>M</b> 120/277V
<b>B14</b> Cold Roll 14 Gauge Steel	<b>125P</b> .125 Clear Poly.	
<b>B16</b> Cold Roll 16 Gauge Steel	<b>156P</b> .156 Clear Poly.	
<b>B18</b> Cold Roll 18 Gauge Steel	<b>187P</b> .187 Clear Poly.	
<b>B20</b> Cold Roll 20 Gauge Steel	<b>25P</b> .250 Clear Poly.	
<b>SH14</b> Stainless Steel 14 Gauge	<b>375P</b> .375 Clear Poly.	
<b>SH16</b> Stainless Steel 16 Gauge	<b>F1</b> .187 Clear Temp.Glass	
<b>SH18</b> Stainless Steel 18 Gauge	<b>G1</b> .250 Clear Temp.Glass	
	<b>H1</b> .375 Clear Temp.Glass	

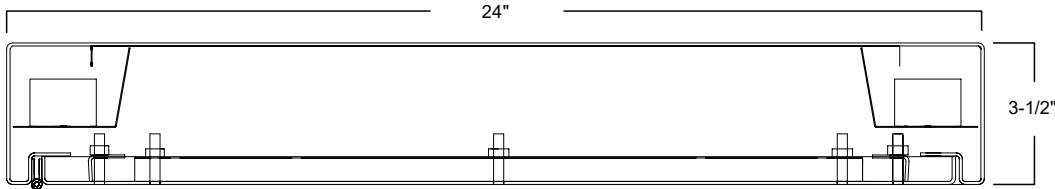
SERIES NO. CONTINUED...

Driver	Options
<b>SD</b> Step Dimming	<b>12EBL</b> 1200 Lumen Emergency Ballast
<b>EDD1</b> Electronic Driver 1-10V Dimming 10%	<b>AH</b> Allenhead Screws with center pin reject
<b>EDD0</b> Electronic Driver 0-10V Dimming 1%	<b>LN</b> LED Night Light. Consult factory for available color/temps
<b>LAS/ED</b> Lutron A-Series, 1% EcoSystem Dimming	<b>FZ</b> Fuse Holder
<b>LAS/3D</b> Lutron A-Series, 1% EcoSystem 3-wire Dimming	<b>WL</b> Wet Location
<b>LDE1</b> Lutron Hi-Lume 1% EcoSystem Fade-To-Black	<b>90</b> 90 CRI
<b>LDE5</b> Lutron LDE5 5-Series EcoSystem 5% Dimming	<b>G52</b> Green LED 520 nm (defaults to the 2 outboard rows)
	<b>R63</b> Red LED 630 nm (defaults to the 2 outboard rows)
	<b>AM</b> Antimicrobial Paint

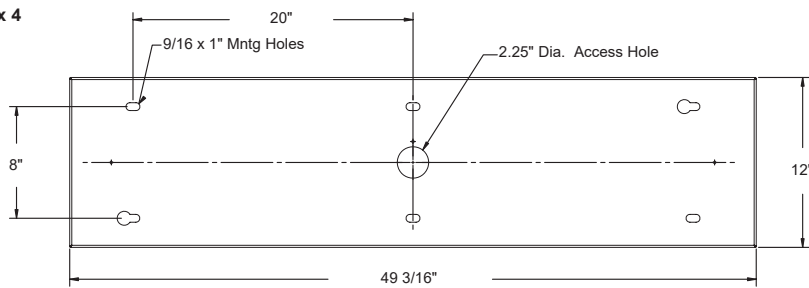
1' x 1', 1' x 2', 1' x 4'



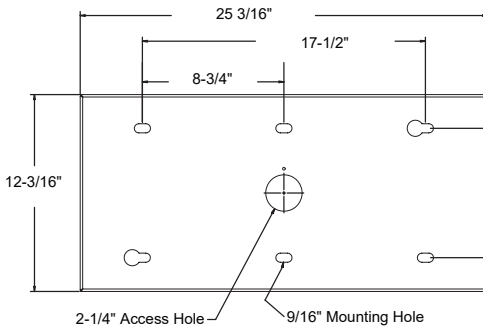
2' x 2', 2' x 4'



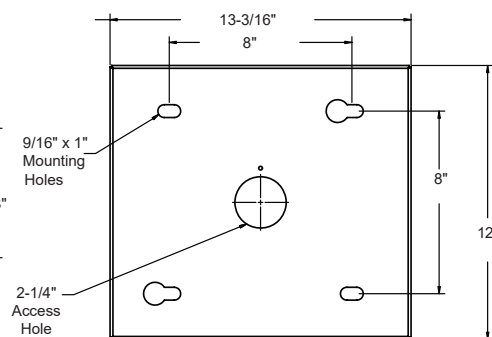
1 x 4



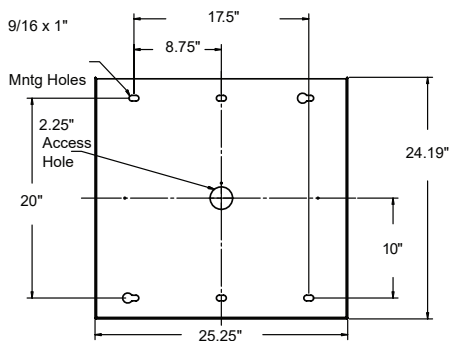
1 x 2



1 x 1



2 x 2



2 x 4

