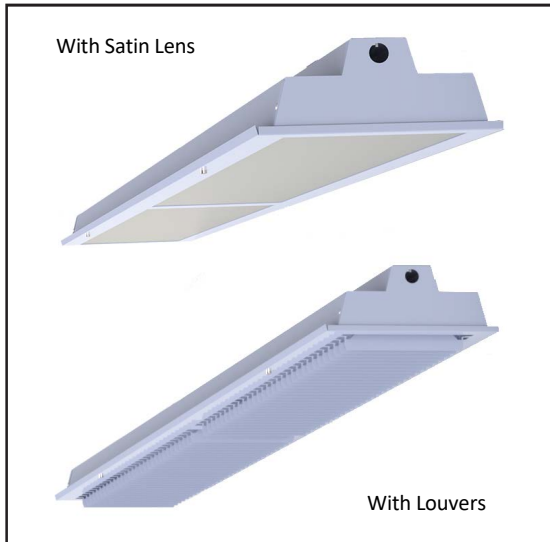


CHBL

Commercial High Bay Wired *for* or *with* Tubes



PRODUCT SPECIFICATIONS

DESCRIPTION

The CHBL Series is a commercial high bay wired for or with tubes. Available in louvered, lensed, and open housing design. Wire guard available. It is designed for standard suspended or surface mounted high bay applications.

APPLICATIONS

The CHBL Series of commercial high bays are designed to be high quality, energy efficient LED tube luminaires for use in commercial applications, offices, government facilities, schools, and public areas.

CONSTRUCTION

The fixture is constructed of a cold rolled steel body. Housing embossed for maximum rigidity. Baked enamel finish in white. This fixture is available in 4' (Single) or 8' (Tandem) lengths.

OPTICAL SYSTEM

Available with white louvers, satin lens, or open design. Optional Wire-guard is compatible with open housing design, as well as lens and louvered fixtures.

ELECTRICAL SYSTEM

120-277V Applications. Complies with federal energy efficiency standards.

MOUNTING

The fixture can be suspended or surface mounted. Multiple knockouts for easy mounting.

LISTINGS

UL and cUL Listed. Damp location rated. Manufactured in the USA, BAA compliant.

WARRANTY

5-Year Limited Warranty. Complete warranty and terms located at www.aelnow.com/warranty

ORDERING INFORMATION

Example: CHBL4-2-32-L-LED

With Tubes Example: CHBL4-2-32-L-WT-18-40

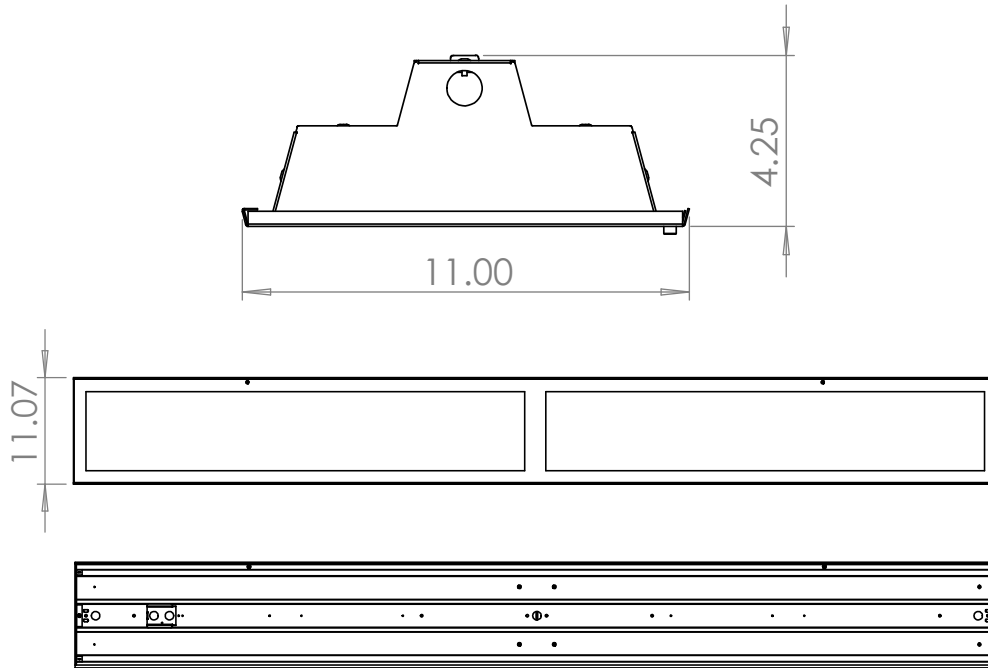
SERIES	# OF LAMPS	LAMP REPLACEMENT	DOORFRAME	WIRE APPLICATION	LED
CHBL2 2'	1 1 Lamp	17 17W T8	BLANK Open Housing	BLANK Single End Wiring*	LED Wired for LED Lamps (furnished by others)
CHBL4 4'	2 2 Lamps	28T8 28W T8	L Louver	DE Double End Wiring**	
CHBL8 8' Tandem	3 3 Lamps	28T5 28W T5	S Satin Lens		WT With Tubes Included
	4 4 Lamps	32 32W T8			
		54 54W T5HO			

WT WATTAGE OPTIONS	COLOR TEMP	HANGING OPTIONS	OPTIONS
10 10 Watt 24"	35 3500K	CP50 Cord Pendant (No Power Feed) 50"	WH34 3-Wire 4 Feet
12 12 Watt 48"	40 4000K	CP100 Cord Pendant (No Power Feed) 100"	WH44 4-Wire 4 Feet
15 15 Watt 36" or 48"	50 5000K	CPPF50 Cord Pendant (Power Feed Capable) 50"	WH54 5-Wire 4 Feet
18 18 Watt 48"		CPPF100 Cord Pendant (Power Feed Capable) 100"	WH38 3-Wire 8 Feet
20 20 Watt 48"		RPXX Rigid Pendant (Power Feed Capable) (XX)"	WH48 4-Wire 8 Feet
		CPY50 Cord Y-Hanger (No Power Feed) 50"	WH58 5-Wire 8 Feet
		CPY100 Cord Y-Hanger (No Power Feed) 100"	12EBLT 1200 Lumen Emergency Ballast
		CPPFY50 Cord Y-Hanger (Power Feed Capable) 50"	
		CPPFY100 Cord Y-Hanger (Power Feed Capable) 100"	
		AC10 10' Aircraft Cable	
		AC20 20' Aircraft Cable	

*Non-Shunted Wired at One End (BLANK)

**Shunted Sockets Wired with White, Opposite End Wired with Black (DE)

DIMENSIONS



PENDANT INFORMATION

A standard mounting pendant is needed for each fixture, plus one pendant with power feed capability per continuous row or circuit. Contact your Advantage representative if additional information is needed.

