

BAOF

Surface Mount Fluorescent Luminaire



PRODUCT SPECIFICATIONS

DESCRIPTION

The BAOF is a streamlined high abuse fixture with smooth edges and countersunk fasteners. Steel end caps and steel body provides strength while an extruded opal smooth polycarbonate lens obscures the light and spreads light evenly. The BAOFT is a variation of the BAOF with smooth edges for applications where an anti-ligature fixture is needed. It is ideal for areas where the need for aesthetics and protection from vandalism are critical. Suited for schools, mental health facilities, stairwells, corridors, detention centers, and public transportation areas.

CONSTRUCTION

Heavy duty, 18 gauge steel housing and end caps provide rigid construction. Stainless-steel and die-formed aluminum available, consult factory. End caps provided with 7/8" knockouts for continuous row mounting

FASTENERS

Hex head screws standard with option of torx with center reject pin and countersink torx tamper resistant screws to secure the lens to the housing.

OPTICAL SYSTEM

One-piece extruded UV stabilized opal polycarbonate lens standard. Ribbed design provides even light distribution while obscuring lamp image and direct glare. Nominal lens thickness = 0.135".

MOUNTING

This fixture is designed for wall or ceiling mounting.

LISTINGS

UL and cUL Listed. Damp location rated. Made in the USA.

WARRANTY

5-Year Limited Warranty. Complete warranty and terms located at: www.aelnow.com

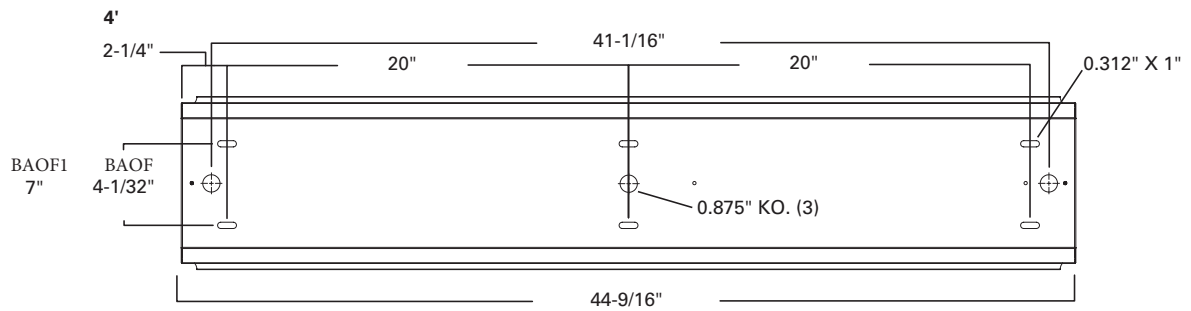
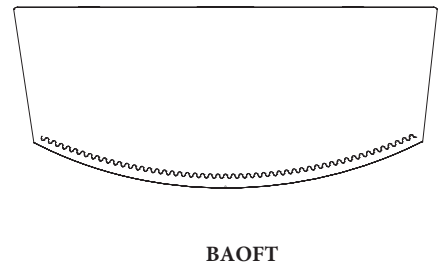
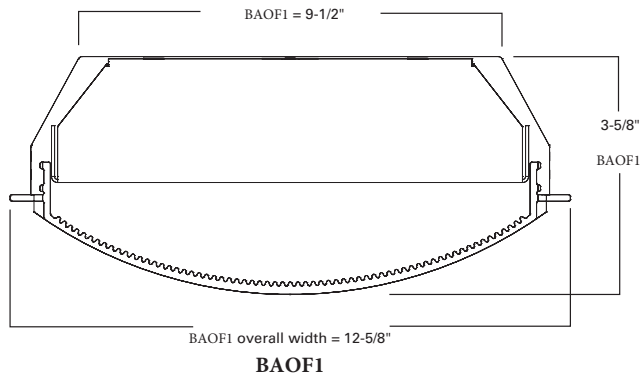
ORDERING INFORMATION

Example: BAOF14232MOSEBL

SERIES	ROW LENGTH	LAMPS PER SECTION	WATTAGE	VOLTAGE	LENS
BAOF1 12" Wide	2 2'	1 1	28T5 28W T5	M 120/277V	OS Opal Smooth Polycarbonate Lens
BAOFT 12" Wide	4 4'	2 2	28T8 28W T8		
	8 8'		32 32W T8'		
			54 54W T5'		

Ballast Options	OPTIONS
(blank) Normal Instant Start	IP63 IP63 Compliant
H High Ballast Factor	GL Gasket to Lens
L Low Ballast Factor	THS Torx Head Center Pin Rejected
EBPL Electronic Ballast Program Low	TC Countersink Torx Screws
EBPN Electronic Ballast Program Normal	EM Emergency Option
EBPH Electronic Ballast Program High	
*CD2LT8 Continuous Dimming 2L T8	
*CD2LT5 Continuous Dimming 2L T5	
*SD2LT8 Step Dimming 2L T8	
*SD2LT5 Step Dimming 2L T5	

FIXTURE DIMENSIONS



(8' unit consists of (2) 4' units, attached at the factory)