



CATALOG #:

PROJECT:

TYPE:

## BAI

LED PRISON GRADE  
CEILING/WALL  
MOUNT LUMINAIRE



The **BAI** is a prison grade, vandal resistant, ceiling/wall mounted luminaire. Engineered for high abuse areas, the BAI is a durable, sleek, and efficient fixture. The BAI is a perfect combination of strength and aesthetics. An excellent choice for locations such as prisons, stairwells, schools, restrooms, storage facilities, dormitories, hallways, and locker rooms.

**FINISH:** Powder-coated white finish, with anti-microbial white available. For additional finish options, consult factory.

**HOUSING:** 16 gauge steel, with welded and ground ends. Stainless steel and Marine Grade .063" aluminum construction available with options. Fixture is available with knockouts on ends for continuous run/conduit entry.

**ELECTRICAL SYSTEM:** 0-10V 1% dimming driver included standard, 120/277V. Long-life LED system is rated for >100K life hours (L70 @ 45°C). Complies with federal energy efficiency standards.

**LENS:** A wide range of UV stabilized, impact-resistant clear, frosted, and prismatic polycarbonate lens are available in .125" thickness. For additional lens options, consult factory.

**MOUNTING:** Grid mount lays into standard grid sizes. Flange mount includes adjustable 90° swing arm system, unless plaster frame & yoke option is selected.

**LISTINGS:** Designed for damp location. ETL listed. Wet location optional. Manufactured in Fort Worth, TX.

**FASTENERS:** Captive, stainless steel tamper proof, T25 TORX head screws prevent unauthorized access.

**LED:** 80 CRI or 90 CRI LEDs available in 2700K, 3000K, 3500K, 4000K and 5000K. Life is >100,000 hours at 70% lumen maintenance.

**WARRANTY:** 5 - Year Limited Warranty. Complete warranty and terms located at: [www.aelnow.com/warranty](http://www.aelnow.com/warranty)

Ordering Information on Next Page 

## ORDERING INFORMATION

Example: BAI-4-40-8L-125P-M-90

SERIES	SIZE	CCT	ILLUMINATION	LENS	VOLTAGE																																										
BAI	<table border="1"> <tr><td>2</td><td>2'</td></tr> <tr><td>3</td><td>3'</td></tr> <tr><td>4</td><td>4'</td></tr> <tr><td>6</td><td>6'</td></tr> <tr><td>8</td><td>8'</td></tr> </table>	2	2'	3	3'	4	4'	6	6'	8	8'	<table border="1"> <tr><td>30</td><td>3000K</td></tr> <tr><td>35</td><td>3500K</td></tr> <tr><td>40</td><td>4000K</td></tr> <tr><td>50</td><td>5000K</td></tr> </table>	30	3000K	35	3500K	40	4000K	50	5000K	<table border="1"> <tr><td>1L</td><td>1000 Lumens (Very Low)</td></tr> <tr><td>2L</td><td>2000 Lumens (Low)</td></tr> <tr><td>4L</td><td>4000 Lumens (Standard Low)</td></tr> <tr><td>8L</td><td>8000 Lumens (Medium Medium)</td></tr> <tr><td>11L</td><td>11000 Lumens (High Low)</td></tr> <tr><td>12L</td><td>12000 Lumens (Standard Medium)</td></tr> <tr><td>13L</td><td>13000 Lumens (Medium Medium)</td></tr> <tr><td>16L</td><td>16000 Lumens (Standard High)</td></tr> <tr><td>XX</td><td>Custom Lumens</td></tr> </table>	1L	1000 Lumens (Very Low)	2L	2000 Lumens (Low)	4L	4000 Lumens (Standard Low)	8L	8000 Lumens (Medium Medium)	11L	11000 Lumens (High Low)	12L	12000 Lumens (Standard Medium)	13L	13000 Lumens (Medium Medium)	16L	16000 Lumens (Standard High)	XX	Custom Lumens	<table border="1"> <tr><td>125P</td><td>.125 Clear Polycarbonate</td></tr> <tr><td>FP125</td><td>.125 Frosted Polycarbonate</td></tr> <tr><td>PP125</td><td>.125 Prismatic Polycarbonate</td></tr> </table>	125P	.125 Clear Polycarbonate	FP125	.125 Frosted Polycarbonate	PP125	.125 Prismatic Polycarbonate	M Multi-Volt (120-277V)
2	2'																																														
3	3'																																														
4	4'																																														
6	6'																																														
8	8'																																														
30	3000K																																														
35	3500K																																														
40	4000K																																														
50	5000K																																														
1L	1000 Lumens (Very Low)																																														
2L	2000 Lumens (Low)																																														
4L	4000 Lumens (Standard Low)																																														
8L	8000 Lumens (Medium Medium)																																														
11L	11000 Lumens (High Low)																																														
12L	12000 Lumens (Standard Medium)																																														
13L	13000 Lumens (Medium Medium)																																														
16L	16000 Lumens (Standard High)																																														
XX	Custom Lumens																																														
125P	.125 Clear Polycarbonate																																														
FP125	.125 Frosted Polycarbonate																																														
PP125	.125 Prismatic Polycarbonate																																														

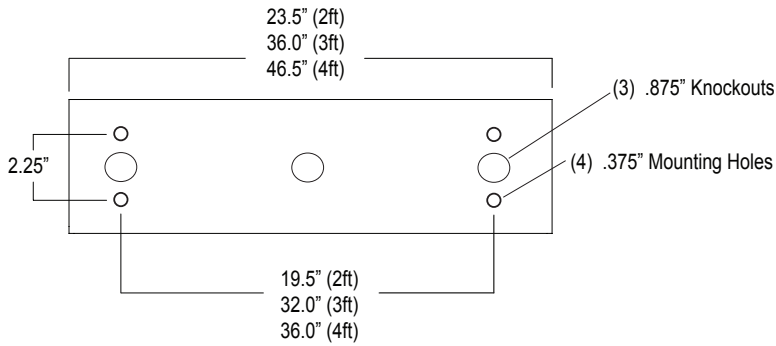
DRIVER	OPTIONS
BLANK 0-10V 1% Dimming Driver (included standard)	14EBL 14 Watt Emergency Ballast
CD5 0-10V 5% to Off Dimming Driver	IS Internal Occupancy Sensor (ON/OFF)
EDN Electronic Driver Non-Dimming	SP Stainless Steel Housing - Painted
DALI DALI 1% Dimming Driver	SB Stainless Steel Housing - Brushed
LDE1 Lutron Hi-lume 1% EcoSystem LED driver with Soft-on, Fade-to-Black dimming technology	ALH Marine Grade Aluminum Housing - Painted
	AM Anti-microbial White Paint
	90 90 CRI
	VDO Lutron Vive Integral RF Controller with Daylight and Occupancy sensing.
	K01 KO on One End
	K02 KO on Both Ends
	TRX T25 Torx Center Pin
	WL

OUTPUT	DELIVERED LUMENS	WATTAGE	L70 @45C (HRS)
1L	1000	7.2	>100K
2L	2000	14.4	>100K
4L	4000	28.8	>100K
8L	8000	57.6	>100K
11L	11000	79.3	>100K
12L	12000	86.3	>100K
13L	13000	93.5	>100K
16L	16000	115.1	>100K

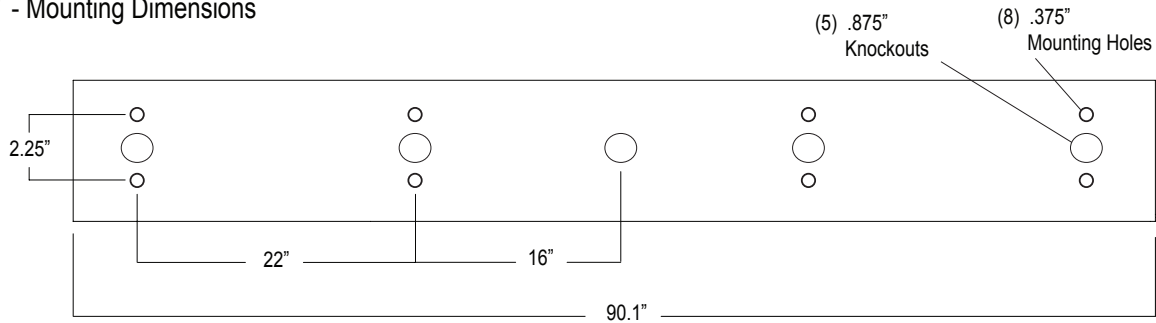
Dimensions on Next Page

## MOUNTING DIMENSIONS

### 2',3',4' - Mounting Dimensions



### 8' - Mounting Dimensions



## CEILING

