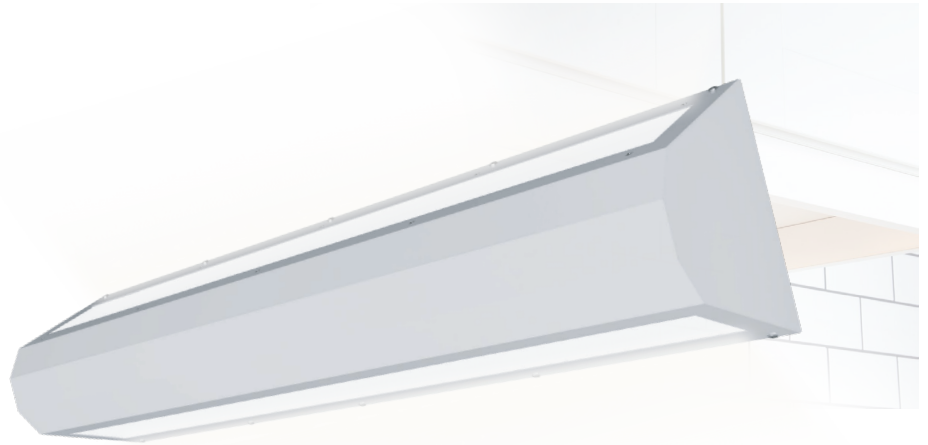


BAH

LED WALL
MOUNT
PRISON GRADE



Ligature Resistant



The **BAH** LED combines maximum security construction with energy saving technology. The BAH utilizes one piece clamshell housing as well as security lensing and tamper resistant fasteners for impact resistance and prevent contraband concealment and unwanted fixture penetration. The BAH is ideal for confinement/security applications. Suitable for use in inmate cells, behavioral health, secure corridors and general population areas. Ligature Resistant design. Available in continuous runs.

FASTENERS: Stainless steel tamper-resistant T25 TORX screws standard. Allenhead screws with center reject pin optional.

ELECTRICAL SYSTEM: 0-10V 1% dimming driver included standard. Long-life LED system rated for >100K life hours (L70 @ 25°C). Complies with federal energy efficiency standards.

OPTICAL SYSTEM: Various choices of inner and outer lenses. If additional lens options are required, consult factory.

LISTINGS: Designed for damp locations. Wet location optional. Made in the USA, BAA compliant, and ETL Listed.

FINISH: High gloss, electrostatically applied, white powder coat finish, average minimum reflectance 92%. Anti-microbial paint optional.

HOUSING: Various housing material options, consult factory if additional options not listed are needed. 14 Gauge backplate standard. Clamshell design with continuous welded and ground ends to form a one-piece, seamless, doorless housing which maximizes impact resistance and prevents contraband concealment, as well as unauthorized fixture penetration. Ligature Resistant design. Stainless-steel aircraft cables attach housing to back plate. Piano hinge is optional.

LED: 80 CRI or 90 CRI LEDs available in 2700K, 3000K, 3500K, 4000K and 5000K. Life is >100,000 hours at 70% lumen maintenance.

BACKPLATE: Die-formed 14 ga. steel backplate forms an irretrievable blade trap to prevent contraband concealment.

WARRANTY: 5 Year Limited Warranty on housing and electronics. Complete warranty and terms located at: www.aelnow.com/warranty.

ORDERING INFORMATION Example: BAH-2-40-50-50-8L-B18-1259-125P-M-1-WL

SERIES	SIZE	CCT	DOWN DISTRIBUTION	UP DISTRIBUTION	ILLUMINATION LEVEL	HOUSING
BAH	2' 3' 4'	27 2700K 30 3000K 35 3500K 40 4000K 50 5000K	X Custom (specify please)	X Custom (specify please)		B20 20 Gauge Cold Roll Steel B18 18 Gauge Cold Roll Steel SH18 18 Gauge Stainless Steel (Polished 304) SH186 18 Gauge Stainless Steel (Polished 316) SHP18 18 Gauge Stainless Steel (Painted 304) SHP186 18 Gauge Stainless Steel (Painted 316) SHB18 18 Gauge Stainless Steel (Brushed 304) SHB186 18 Gauge Stainless Steel (Brushed 316) ALH .063" Aluminum (Painted)

INNER LENS	OUTER LENS	VOLTAGE	DRIVER	CIRCUITS	OPTIONS
125P .125" Clear Polycarbonate 156P .187" Clear Polycarbonate 187P .187" Clear Polycarbonate A125 .125" Clear Acrylic A156 .156" Clear Acrylic	125P .125 Clear Polycarbonate 187P .187 Clear Polycarbonate 250P .250 Clear Polycarbonate 375P .375 Clear Polycarbonate 500P .500 Clear Polycarbonate F1 .187 Clear Tempered Glass G1 .250 Clear Tempered Glass H1 .375 Clear Tempered Glass	M Multi-Volt (120-277VAC)	BLANK 0-10V Dimming Driver (included standard) CD5 0-10V 5% to Off Dimming Driver EDN Electronic Driver Non-Dimming DALI 1% Dali Dimming Driver LDE1 Lutron Hi-Lume 1% EcoSystem LED driver with Soft-on, Fade-to-Black dimming technology	1 1 Circuit 2 2 Circuits	14EBL 14 Watt Emergency Ballast AM Anti-microbial Matte White Paint NTP Non-tamper Proof Fasteners (Phillips-head screws) AH Allen Head Screws With Center Pin Reject LN LED Night Light FZ Fuse Holder 90 90 CRI WL Wet Location VDO Lutron Vive integral fixture controller (RF with daylight and occupancy sensing) BAHCR Continuous Run Ready PH Piano Hinge

Dimensions on Next Page

ENERGY AND PERFORMANCE DATA

INPUT VOLTAGE:	120/277VAC
SYSTEM INPUT POWER:	25.0 - 100 WATTS*
DELIVERED LUMEN OUTPUT:	4500 - 13000 LUMENS
STANDARD DIMMING CONTROL:	0-10V
CCT:	2700, 3000, 3500, 4000, 5000 KELVIN
CRI:	82 (MINIMUM)
LIFE TIME RATING:	>100,000 HRS @ L70
INPUT FREQUENCY:	50/60 HZ
POWER FACTOR:	>0.9
OPERATING TEMP:	-30° TO 50° C

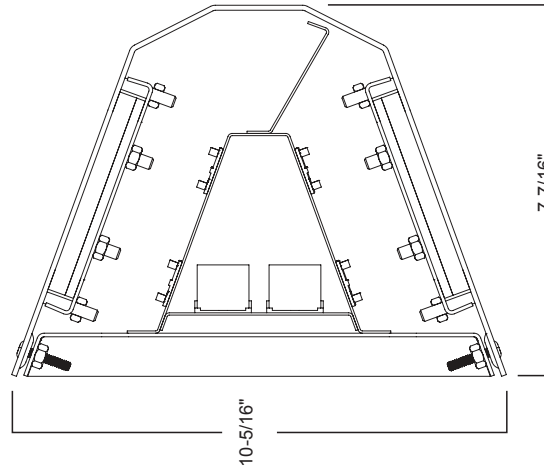
APPROXIMATE COLOR TEMPERATURE MULTIPLIER

5000K	X	1.03
4000K	X	1
3500K	X	.97
3000K	X	.94
2700K	X	.91

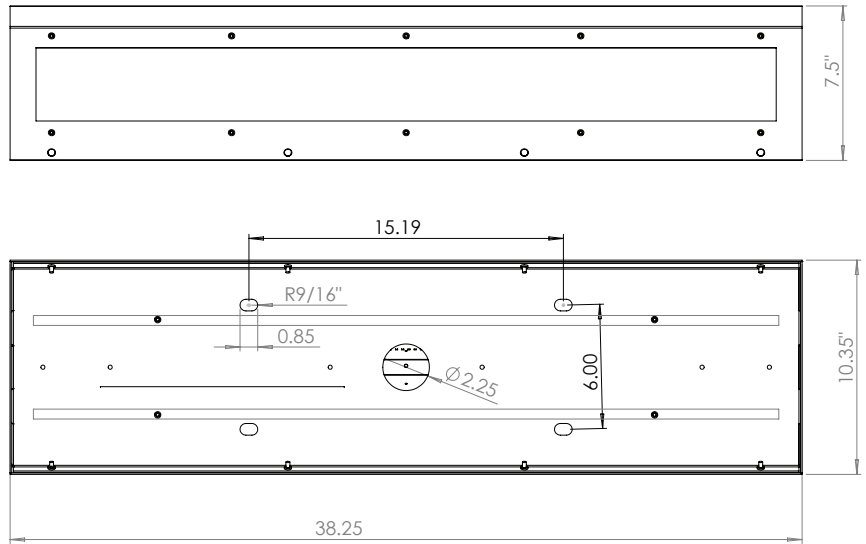
PART#	DELIVERED LUMENS	WATTS	L70 @20C (HRS)
4L	4000 LUMENS	25.0	>100K
7L	7000 LUMENS	43.8	>100K
11L	11000 LUMENS	68.8	>100K
12L	12000 LUMENS	75.0	>100K
13L	13000 LUMENS	81.3	>100K
15L	15000 LUMENS	93.8	>100K
16L	16000 LUMENS	100.0	>100K

*ACTUAL WATTAGE MAY DIFFER BY ±5% WHILE OPERATING 120/277V ±10%

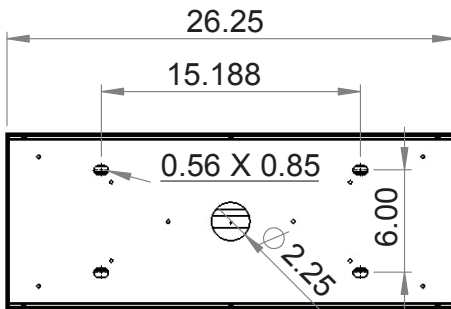
DIMENSIONS



BAH3



BAH2



BAH4

